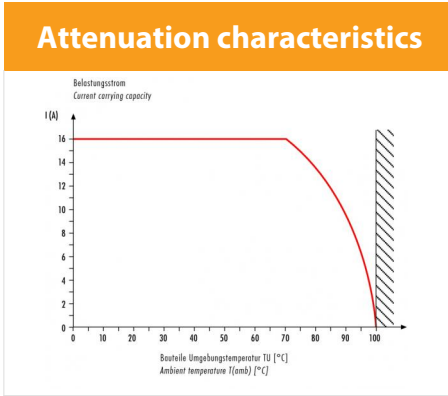
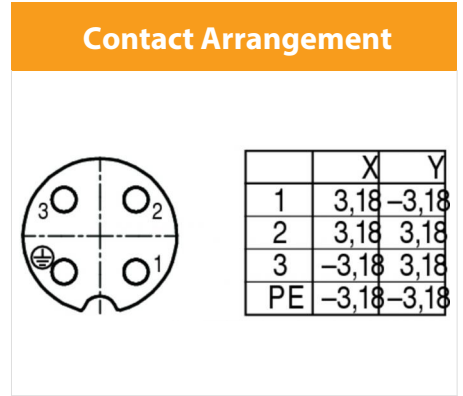
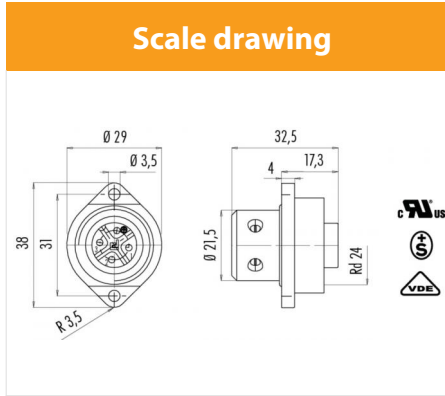


Product **Polzahl: 3+PE, Flanschdose, PG 9, mit VDE, SEV, UL Zulassung, schrauben**
 Area **RD24 Power Series 692/693**
 Article number **09 4224 00 04**



You can find the assembly instruction on the next page.

Technical data

General features

Connector Design female panel mount connector
 Connector locking system bolted
 Termination screw
 Wire gauge (mm) 0,5-2,5 mm²
 Wire gauge (AWG) -
 Cable outlet -
 Upper temperature 100 °C
 Lower temperature -40 °C

Cable data

Approval 1 UL
 Approval 2 ESTI+
 Approval 3 VDE

Electrical parameters

Rated voltage 600 V
 Rated impulse voltage 6000 V
 Pollution degree 3
 Overvoltage category III
 Material group III
 Rated current (40°C) 16 A (12 A UL)
 Volume resistivity ≤ 5 mΩ
 EMV compliance not shielded
 Degree of protection IP67
 Mechanical operation > 50 Mating cycles

Material

Material of contact CuZn (Messing)
 Contact plating Ag (silver)
 Material of contact body PBT

Product Polzahl: 3+PE, Flanschdose, PG 9, mit VDE, SEV, UL Zulassung, schrauben

Area RD24 Power Series 692/693
Article number 09 4224 00 04

Installation instructions / Mounting cutout

