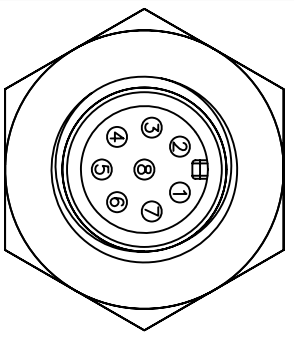
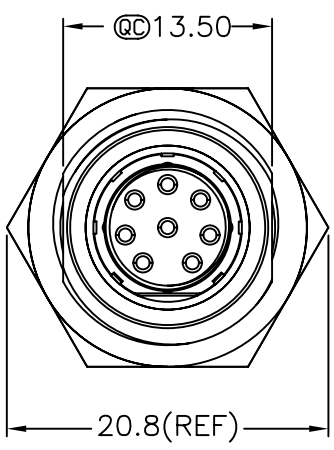
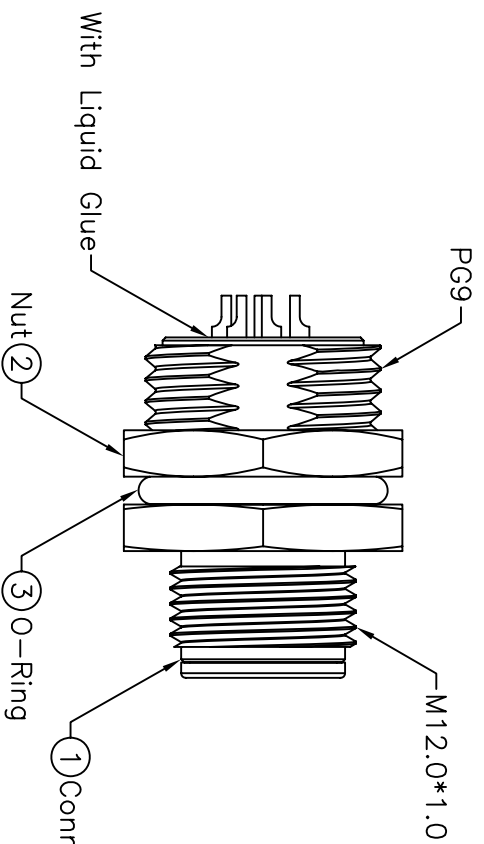
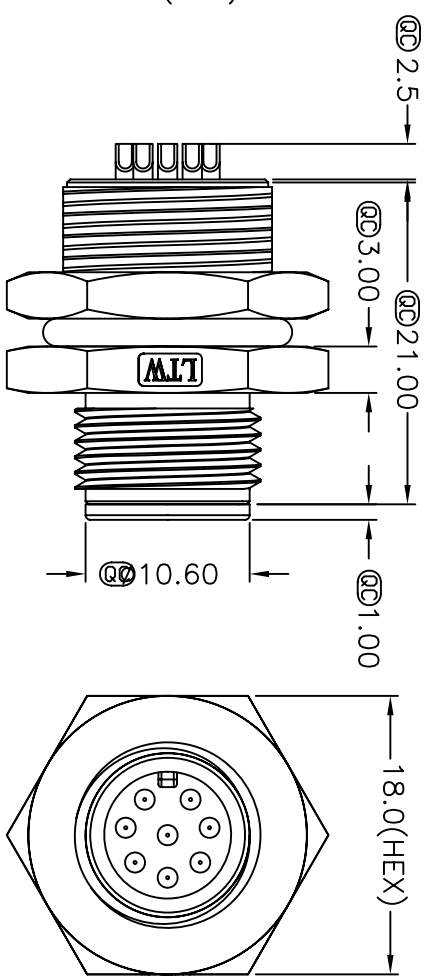


Recommended
Panel Cut-Out



Pin Assignments
Front View



- Note:
- * @Dimensional Dimension.
 - * Waterproof Rate: IP68
 - * Housing: Black, Nylon+GF
 - * Male Pin: Copper Alloy, Gold Plated
 - * Shield: Zinc Alloy, Nickel Plated
 - * Nut: Zinc Alloy, Nickel Plated
 - * O-Ring: Black, EPDM
 - * For Panel Thickness Max 4.5mm
 - * Nut Torque: 4-6 kgf.cm

REV.	EGN NO.	DATE	SIGN	DESCRIPTION
B	LEN-750139	2007/05/09	Jason	Change Panel Cut-Out
C	LEN-7A0021	2007/10/01	Rommel A. Vergara	Add Note

UNIT:mm	
TOLERANCE	
.X	±0.25
.XX	±0.1
.XXX	±0.05
ANGLES	±1°

TITLE	M12 Conn			
Panel Screw	8Pin	M Conn	M Pin	
SCALE	Free	SHEET	1 OF 1	
REV.	C	SIZE	A4	@ : Inspection Item

亮泰企業股份有限公司

ITEM NO	LTW12-08PMMS-SH8001
DWG NO	LTW12-08PMMS-SH8001
CUSTOMER	

DRAWN BY	Rommel A. Vergara	DATE	2007/10/01
CHECKED BY	Aldn MJ Sundo	DATE	2007/10/01
APPROVED BY	Cloud	DATE	2007/10/04