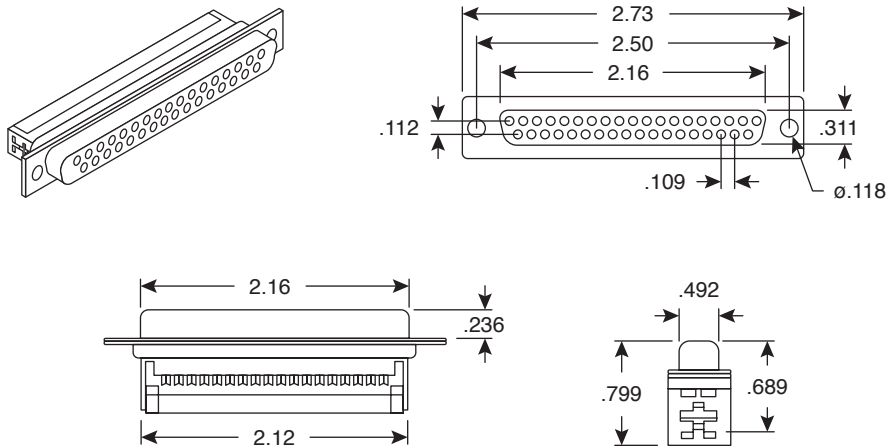


IDC Flat Cable D-Sub Connector

156-2737



IDC Flat Cable D-Sub Connector



Dimensions: In.

SPECIFICATIONS	
Type:	Female
Tolerance:	.01"
Number Of Pins:	37
Shell:	Tin plated
Socket Contact:	Phosphor bronze; gold plated over nickel
Insulator:	PBT and 30% glass, fiber reinforced
Current Rating:	1.4A/26AWG; 1A/28AWG
Dielectric Strength:	1000V for 1 minute
Insulator Resistance:	1000MΩ min. @ 500VDC
Temperature:	-55°C ~ +105°C

Date Last Revised: 10-18-05

Available from Mouser Electronics
1-800-346-6873
www.mouser.com

KC-300679

156-2737