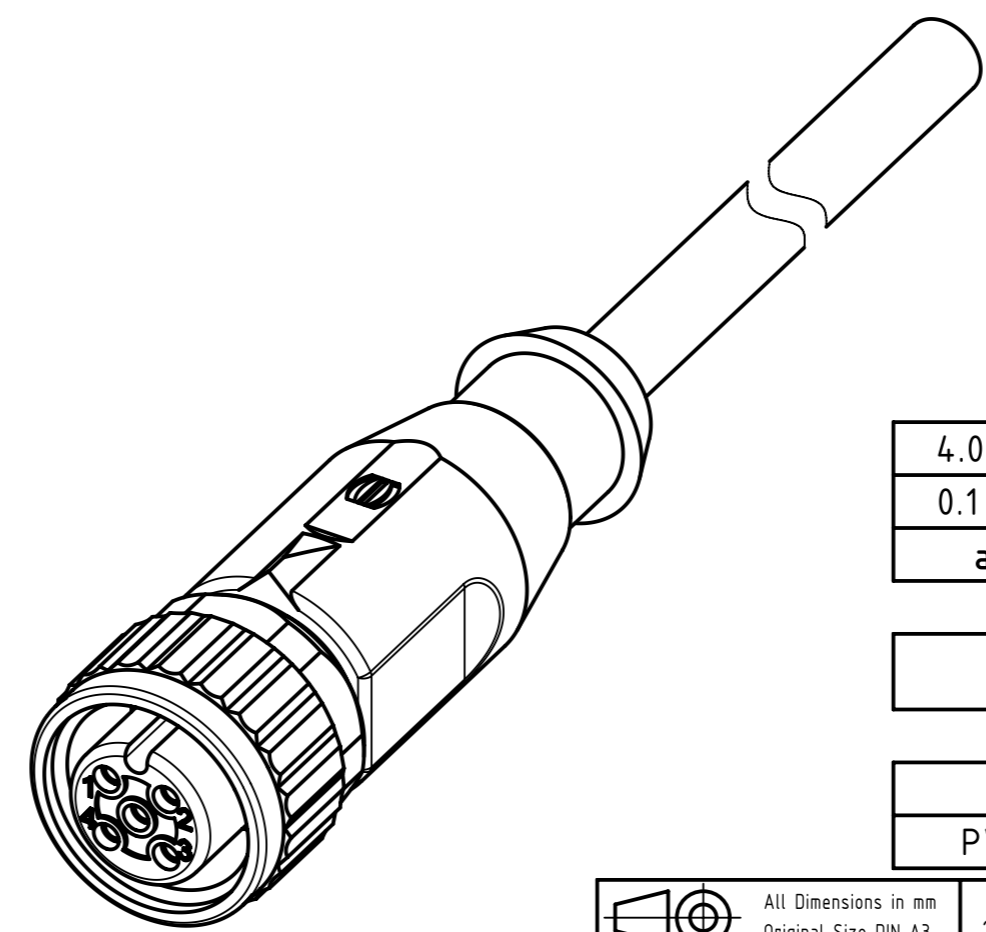


- Protection level: IP67  
 - Temperature range: -25°C ... +80°C



length in "1m" step	40	XXX=400
	39	XXX=390
	...	...
	12	XXX=120
	11	XXX=110
length in "0.1m" step	10	XXX=100
	9.9	XXX=099
	9.8	XXX=098
	...	...
	0.4	XXX=004
	0.3	XXX=003
	0.2	XXX=002
0.1	XXX=001	
Step	a [m]	XXX

4.0 to 40	+1%
0.1 to 3.9	+0.04
a [m]	Tolerance

Part no. 213485005XXXXX

Type of cable XX  
 PVC grey, 5x0.34mm<sup>2</sup> XX=85

All Dimensions in mm Original Size DIN A3		Scale 2:1	Free size tol.		Ref.
All rights reserved Department EC PD - RO		Created by TAMAS	Inspected by AVRAM	Standardisation HOFFMANN	Date 2014-07-01
HARTING Electronics GmbH D-32339 Espelkamp		Title M12 A-coded Cable Assembly			State Final Release
		Type TB	Number 213485005XXXXX		Doc-Key / ECM-Nr. 100578860/UGD/009/A 50000076579
				Rev. A	Page 1/1