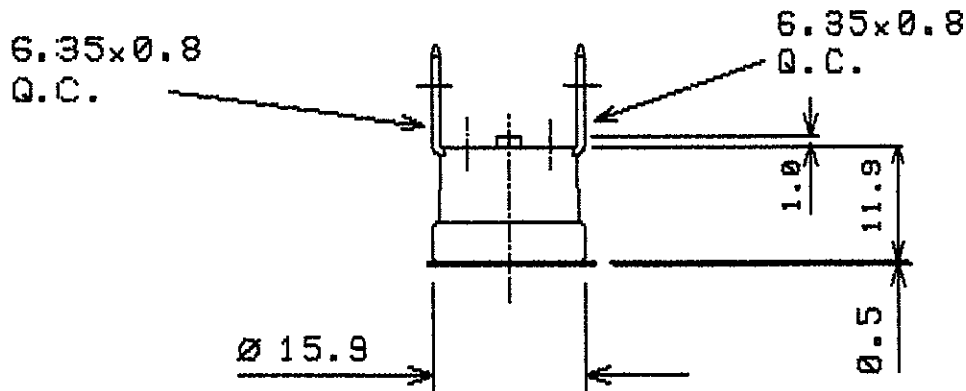
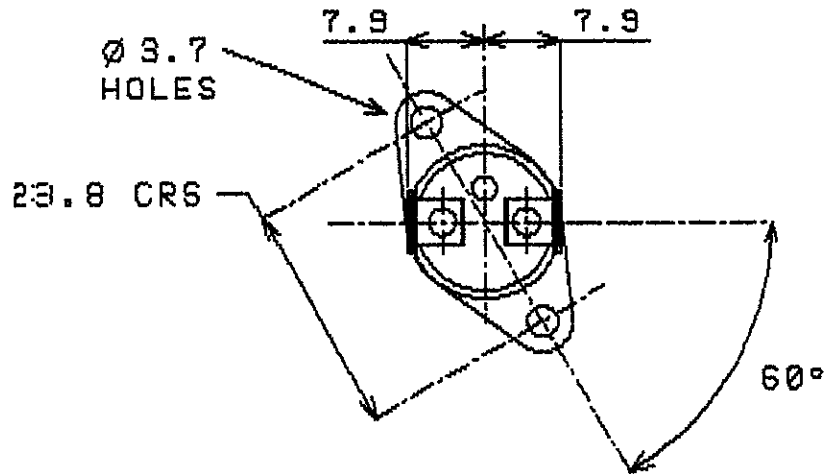


DO NOT SCALE ALL DIMENSIONS ARE FOR REFERENCE ONLY



OPERATING CRITERIA

VOLTS: 240 AC AMPS: 8 AC HZ:
 30 DC 5 DC

OPERATING TEMPS. DEG. C

OPEN: 90 ± 3
 CLOSE: 75 ± 5

ISSUE	A	B	C						
MOD No	2141	2170	2250						
MTH/YR	12/92	2/93	7/98						

CODING REQUIREMENTS

COLOUR: LASER CODE
 LB0C 82 716 XXX

(XXX = DATE CODING)

CAP: MAT'L:
 BRK'T: B201A18 MAT'L: 6T/STEEL
 PLATING:
 TERMINAL: T147 T147
 MATERIAL: BRASS BRASS
 PLATING:

ELMWOOD DEVICE & UNIQUE PART No.
 2455R-82-716

ELMWOOD DRG No. ISSUE
 882280 C



ELMWOOD
 SENSORS LTD

DATE OF ISSUE STAMP
 7 JUL 1998