



SITOR fuse link, with slotted blade contacts, NH2, In: 250 A, aR, Un AC: 800 V, Un DC: 440 V, front indicator

| Model | | | |
|--|--|--------------------------|--------------|
| product brand name | SENTRON | | |
| product designation | SITOR fuse link | | |
| design of the product | With slotted blade contacts | | |
| design of an identification indicator | front indicator | | |
| design of the switching contact | with slotted blade contacts for M10 screw fixing, mounting dimension: 110 mm, or for installation in LV HRC fuse bases or switch disconnectors | | |
| design of the fuse link | SITOR, LV HRC design | | |
| General technical data | | | |
| size of fuse system according to EN 60269-1 | NH2 | | |
| operating class of the fuse link | aR | | |
| varying load factor (WL) | 0.85 | | |
| type of voltage of the operating voltage | AC/DC | | |
| operating voltage at AC according to UL rated value | 800 V | | |
| Supply voltage | | | |
| supply voltage | | | |
| • at AC rated value | 800 V | | |
| • at DC | 440 V | | |
| Switching capacity | | | |
| switching capacity current | | | |
| • according to IEC 60947-2 rated value | 100 kA | | |
| Dissipation | | | |
| power loss [W] | 105 W | | |
| power loss [W] | | | |
| • for rated value of the current at AC in hot operating state per pole | 105 W | | |
| • maximum | 105 W | | |
| Product details | | | |
| product description | with blade contacts, silver-plated | | |
| accessories included | no | | |
| Mechanical Design | | | |
| mounting position | Any, preferably vertical | | |
| net weight | 802 g | | |
| Environmental conditions | | | |
| ambient temperature during operation | | | |
| • minimum | -20 °C | | |
| • maximum | 50 °C | | |
| environmental category | -20 to +50 at 95% relative humidity | | |
| General Product Approval | Declaration of Conformity | Test Certificates | other |

[Confirmation](#)



[Special Test Certificate](#)

[Confirmation](#)

other

Environment

[Miscellaneous](#)

[Miscellaneous](#)

[Environmental Confirmations](#)

Further information

Siemens has decided to exit the Russian market (see here).

<https://press.siemens.com/global/en/pressrelease/siemens-wind-down-russian-business>

Siemens is working on the renewal of the current EAC certificates.

Please contact your local Siemens office on the status of validity of the EAC certification if you intend to import or offer to supply these products to an EAC relevant market (other than the sanctioned EAEU member states Russia or Belarus).

Information on the packaging

<https://support.industry.siemens.com/cs/ww/en/view/109813875>

Information- and Downloadcenter (Catalogs, Brochures,...)

<http://www.siemens.com/lowvoltage/catalogs>

Industry Mall (Online ordering system)

<https://mall.industry.siemens.com/mall/en/en/Catalog/product?mlfb=3NE4327-0B>

Service&Support (Manuals, Certificates, Characteristics, FAQs,...)

<https://support.industry.siemens.com/cs/ww/en/ps/3NE4327-0B>

Image database (product images, 2D dimension drawings, 3D models, device circuit diagrams, ...)

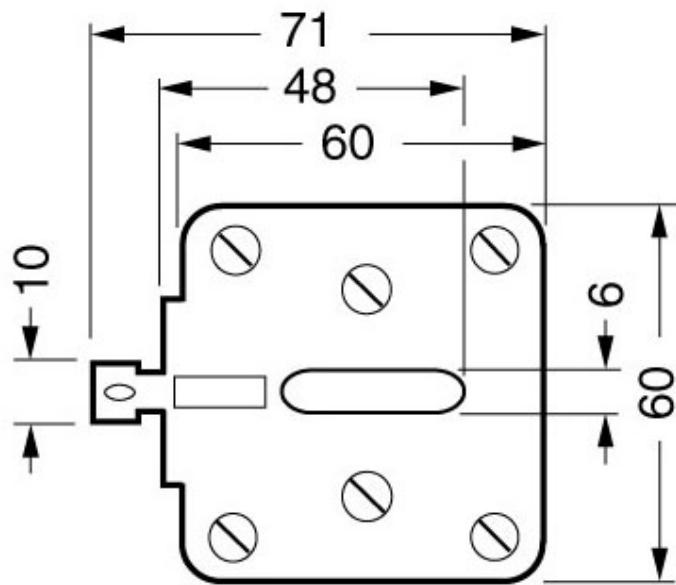
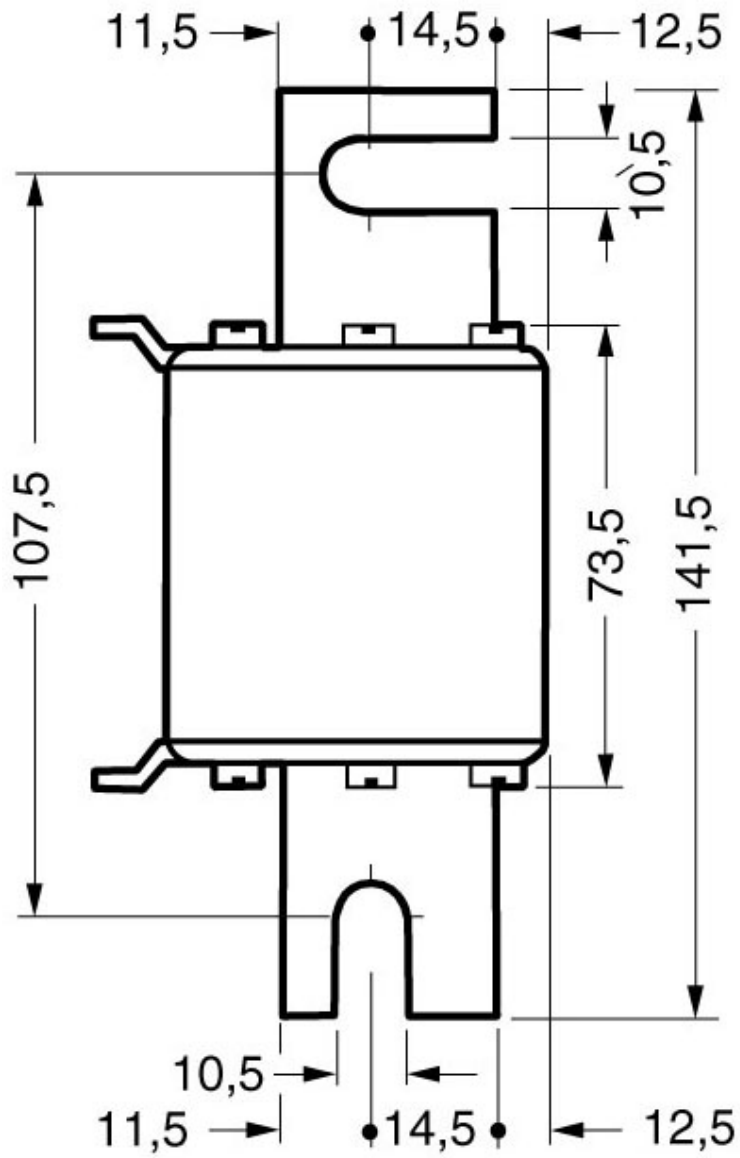
http://www.automation.siemens.com/bilddb/cax_en.aspx?mlfb=3NE4327-0B

CAx-Online-Generator

<http://www.siemens.com/cax>

Tender specifications

<http://www.siemens.com/specifications>



I2Y1_00262

