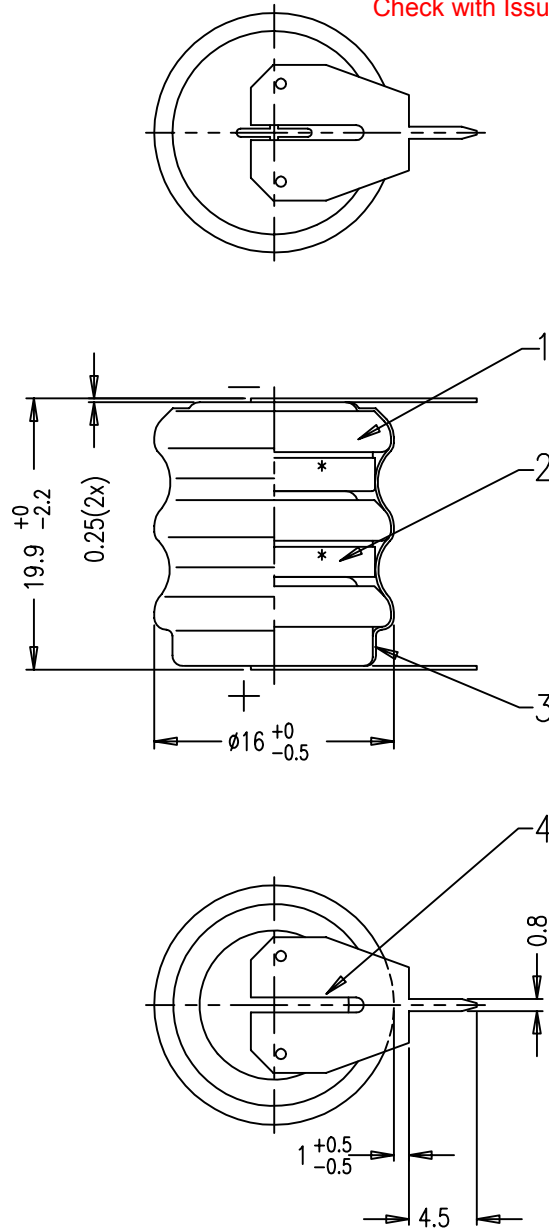


This is a controlled document.
 Hardcopy to be endorsed by authorized person.
 Check with Issuing Office or SAP system for latest update.



- Note: 1) No welding onto the groove
 2) For typical PCB-application we recommend to use VARTA-Mempac batteries.
 3) Special care to be taken ie: NOT to mix the polarities

No.	Alterations:	Date:	Name:	Dimensions in mm	Material:
				Tolerance: DIN 7168 Medium	Refer to part list no : 070778
				Projection:	Description: 3/V80H battery with shrink sleeve & solder tags
				Scale: 2 : 1	
				Date: Name:	
				Prepared: 1997-05-14 A.P.ANG	
				Approved: 2000-	

RIGHTS RESERVED TO MAKE TECHNICAL CHANGES, AS A RESULT OF FURTHER DEVELOPMENT, WITHOUT NOTICE . THIS DRAWING IS THE PROPERTY OF VARTA BATTERIES PTE LTD AND MUST NOT BE COPIED OR DISCLOSED TO A THIRD PARTY WITHOUT THE WRITTEN CONSENT OF VARTA BATTERIES PTE LTD.



Dwg. No:	070778	400
VKB Order No:	55608 303 012	
Orig No:		