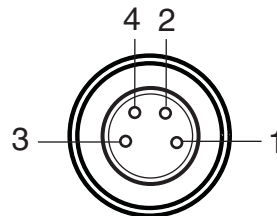


## PSEN ma Cable M8 4p

### Connector pin assignment

#### Colour coding

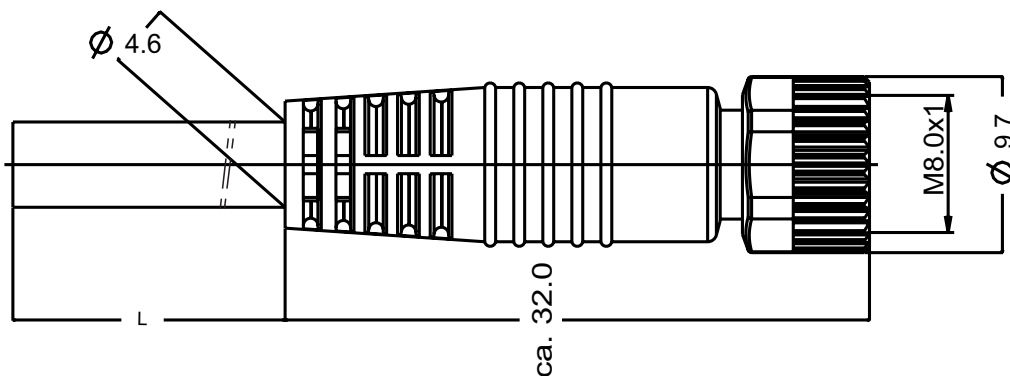
1	brown
2	white
3	blue
4	black



Plan view plug-in connector X1

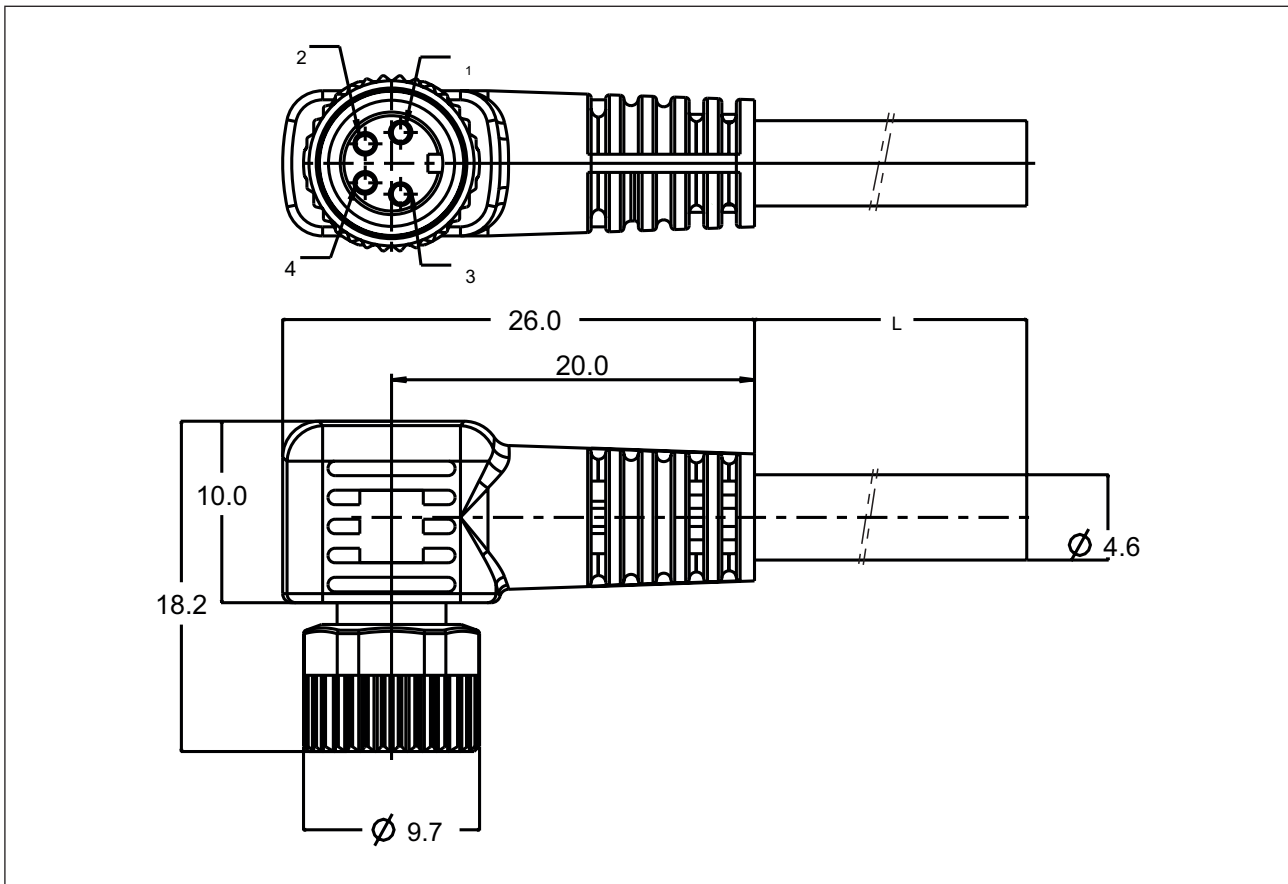
### Dimensions

- ▶ M8 female connector, straight:



## PSEN ma Cable M8 4p

► M8 female connector, angled:



### Technical details

**Order no. 533110 – 533121**

See below for more order numbers

Electrical data	533110	533111	533120	533121
Rated voltage UB	30 V	30 V	30 V	30 V
Conductor resistance	79 Ohm/km	79 Ohm/km	79 Ohm/km	79 Ohm/km
Insulation resistance	100 MOhm	100 MOhm	100 MOhm	100 MOhm
Test voltage	3.000 V	3.000 V	3.000 V	3.000 V
Specific cable capacitance	64,6pF/m	64,6pF/m	64,6pF/m	64,6pF/m
Volume resistance	3 mOhm	3 mOhm	3 mOhm	3 mOhm
Specific volume resistance	$\geq 7E+15 \text{ Ohm*cm}$	$\geq 7E+15 \text{ Ohm*cm}$	$\geq 7E+15 \text{ Ohm*cm}$	$\geq 7E+15 \text{ Ohm*cm}$

## PSEN ma Cable M8 4p

<b>Electrical data</b>	<b>533110</b>	<b>533111</b>	<b>533120</b>	<b>533121</b>
Rated current	<b>4,0 A</b>	<b>4,0 A</b>	<b>4,0 A</b>	<b>4,0 A</b>
<b>Environmental data</b>	<b>533110</b>	<b>533111</b>	<b>533120</b>	<b>533121</b>
Ambient temperature				
Temperature range	<b>-25 - 80 °C</b>	<b>-25 - 80 °C</b>	<b>-25 - 80 °C</b>	<b>-25 - 80 °C</b>
Airgap creepage				
Pollution degree	<b>3</b>	<b>3</b>	<b>3</b>	<b>3</b>
<b>Mechanical data</b>	<b>533110</b>	<b>533111</b>	<b>533120</b>	<b>533121</b>
Plug connector X1	<b>M8, 4-pin female connector</b>	<b>M8, 4-pin female connector</b>	<b>M8, 4-pin female connector</b>	<b>M8, 4-pin female connector</b>
In accordance with the standard	<b>EN 61076-2-104</b>	<b>EN 61076-2-104</b>	<b>EN 61076-2-104</b>	<b>EN 61076-2-104</b>
Form, plug connector X1	<b>Angled</b>	<b>Straight</b>	<b>Angled</b>	<b>Straight</b>
Material of ring nut X1	<b>CuZn nickel-plated</b>	<b>CuZn nickel-plated</b>	<b>CuZn nickel-plated</b>	<b>CuZn nickel-plated</b>
Housing material X1	<b>PUR</b>	<b>PUR</b>	<b>PUR</b>	<b>PUR</b>
Material of contact surface	<b>Au</b>	<b>Au</b>	<b>Au</b>	<b>Au</b>
Socket material	<b>CuSn</b>	<b>CuSn</b>	<b>CuSn</b>	<b>CuSn</b>
Conductor material	<b>Cu</b>	<b>Cu</b>	<b>Cu</b>	<b>Cu</b>
Insulating cover for conductor	<b>PP (9Y)</b>	<b>PP (9Y)</b>	<b>PP (9Y)</b>	<b>PP (9Y)</b>
Mating cycles X1	<b>100</b>	<b>100</b>	<b>100</b>	<b>100</b>
Cable type	<b>LiF9Y11Y</b>	<b>LiF9Y11Y</b>	<b>LiF9Y11Y</b>	<b>LiF9Y11Y</b>
Cable length L	<b>2,00 m</b>	<b>2,00 m</b>	<b>5,00 m</b>	<b>5,00 m</b>
Colour of external cable insulation	<b>Yellow, similar to RAL1003</b>	<b>Yellow, similar to RAL1003</b>	<b>Yellow, similar to RAL1003</b>	<b>Yellow, similar to RAL1003</b>
Min. bending radius (for laying)	<b>5 x Ø</b>	<b>5 x Ø</b>	<b>5 x Ø</b>	<b>5 x Ø</b>
Min. bending radius (for constant movement)	<b>10 x Ø</b>	<b>10 x Ø</b>	<b>10 x Ø</b>	<b>10 x Ø</b>
Cable insulation material	<b>-</b>	<b>-</b>	<b>-</b>	<b>-</b>
Suitable for drag chains	<b>No</b>	<b>No</b>	<b>No</b>	<b>No</b>
Cable diameter	<b>4,60 mm</b>	<b>4,60 mm</b>	<b>4,60 mm</b>	<b>4,60 mm</b>
Cable cross section	<b>0,25 mm<sup>2</sup></b>	<b>0,25 mm<sup>2</sup></b>	<b>0,25 mm<sup>2</sup></b>	<b>0,25 mm<sup>2</sup></b>
Cable cross section AWG	<b>24</b>	<b>24</b>	<b>24</b>	<b>24</b>
Wire colour	<b>Brown, white, blue, black</b>	<b>Brown, white, blue, black</b>	<b>Brown, white, blue, black</b>	<b>Brown, white, blue, black</b>
Stranding	<b>4 cores</b>	<b>4 cores</b>	<b>4 cores</b>	<b>4 cores</b>
Shielding	<b>No</b>	<b>No</b>	<b>No</b>	<b>No</b>

## PSEN ma Cable M8 4p

Mechanical data	533110	533111	533120	533121
Wire layer separation	No	No	No	No
No. of wires	4	4	4	4
Cable approval	UL AWM-Style 20233, UL/CSA	UL AWM-Style 20233, UL/CSA	UL AWM-Style 20233, UL/CSA	UL AWM-Style 20233, UL/CSA
Approval for plug connector X1	UL 94 HB	UL 94 HB	UL 94 HB	UL 94 HB
Protection type				
X1 when inserted	IP67	IP67	IP67	IP67
Housing	IP67	IP67	IP67	IP67
Material				
Housing	PUR	PUR	PUR	PUR
Weight	60 g	57 g	161 g	140 g

### Order no. 533130 – 533141

Electrical data	533130	533131	533140	533141
Rated voltage UB	30 V	30 V	30 V	30 V
Conductor resistance	79 Ohm/km	79 Ohm/km	79 Ohm/km	79 Ohm/km
Insulation resistance	100 MOhm	100 MOhm	100 MOhm	100 MOhm
Test voltage	3.000 V	3.000 V	3.000 V	3.000 V
Specific cable capacitance	64,6pF/m	64,6pF/m	64,6pF/m	64,6pF/m
Volume resistance	3 mOhm	3 mOhm	3 mOhm	3 mOhm
Specific volume resistance	$\geq 7E+15 \text{ Ohm*cm}$	$\geq 7E+15 \text{ Ohm*cm}$	$\geq 7E+15 \text{ Ohm*cm}$	$\geq 7E+15 \text{ Ohm*cm}$
Rated current	4,0 A	4,0 A	4,0 A	4,0 A
Environmental data	533130	533131	533140	533141
Ambient temperature				
Temperature range	-25 - 80 °C	-25 - 80 °C	-25 - 80 °C	-25 - 80 °C
Airgap creepage				
Pollution degree	3	3	3	3
Mechanical data	533130	533131	533140	533141
Plug connector X1	M8, 4-pin female connector	M8, 4-pin female connector	M8, 4-pin female connector	M8, 4-pin female connector
In accordance with the standard	EN 61076-2-104	EN 61076-2-104	EN 61076-2-104	EN 61076-2-104
Form, plug connector X1	Angled	Straight	Angled	Straight

## PSEN ma Cable M8 4p

	533130	533131	533140	533141
<b>Mechanical data</b>				
Material of ring nut X1	CuZn nickel-plated	CuZn nickel-plated	CuZn nickel-plated	CuZn nickel-plated
Housing material X1	PUR	PUR	PUR	PUR
Material of contact surface	Au	Au	Au	Au
Socket material	CuSn	CuSn	CuSn	CuSn
Conductor material	Cu	Cu	Cu	Cu
Insulating cover for conductor	PP (9Y)	PP (9Y)	PP (9Y)	PP (9Y)
Mating cycles X1	100	100	100	100
Cable type	LiF9Y11Y	LiF9Y11Y	LiF9Y11Y	LiF9Y11Y
Cable length L	10,00 m	10,00 m	30,00 m	30,00 m
Colour of external cable insulation	Yellow, similar to RAL1003	Yellow, similar to RAL1003	Yellow, similar to RAL1003	Yellow, similar to RAL1003
Min. bending radius (for laying)	5 x Ø	5 x Ø	5 x Ø	5 x Ø
Min. bending radius (for constant movement)	10 x Ø	10 x Ø	10 x Ø	10 x Ø
Cable insulation material	–	–	–	–
Suitable for drag chains	No	No	No	No
Cable diameter	4,60 mm	4,60 mm	4,60 mm	4,60 mm
Cable cross section	0,25 mm <sup>2</sup>	0,25 mm <sup>2</sup>	0,25 mm <sup>2</sup>	0,25 mm <sup>2</sup>
Cable cross section AWG	24	24	24	24
Wire colour	Brown, white, blue, black	Brown, white, blue, black	Brown, white, blue, black	Brown, white, blue, black
Stranding	4 cores	4 cores	4 cores	4 cores
Shielding	No	No	No	No
Wire layer separation	No	No	No	No
No. of wires	4	4	4	4
Cable approval	UL AWM-Style 20233, UL/CSA	UL AWM-Style 20233, UL/CSA	UL AWM-Style 20233, UL/CSA	UL AWM-Style 20233, UL/CSA
Approval for plug connector X1	UL 94 HB	UL 94 HB	UL 94 HB	UL 94 HB
Protection type				
X1 when inserted	IP67	IP67	IP67	IP67
Housing	IP67	IP67	IP67	IP67
Material				
Housing	PUR	PUR	PUR	PUR
Weight	317 g	273 g	922 g	910 g

## PSEN ma Cable M8 4p

### Order reference

Order reference				
Product type	Features	Connector X1	Connector X2	Order no.
PSEN Kabel Winkel/ cable angleplug 2m	2 m	M8 female connector, angled		533 110
PSEN Kabel Winkel/ cable straightplug 2m	2 m	M8 female connector, straight		533 111
PSEN Kabel Winkel/ cable angleplug 5m	5 m	M8 female connector, angled		533 120
PSEN Kabel Gerade/ cable straightplug 5m	5 m	M8 female connector, straight		533 121
PSEN Kabel Winkel/ cable angleplug 10m	10 m	M8 female connector, angled		533 130
PSEN Kabel Gerade/ cable straightplug 10m	10 m	M8 female connector, straight		533 131
PSEN Kabel Winkel/ cable angleplug 30m	30 m	M8 female connector, angled		533 140
PSEN Kabel Gerade/ cable straightplug 30m	30 m	M8 female connector, straight		533 141