

DC Axial Fans

Series 6200 N 172 Ø x 51 mm

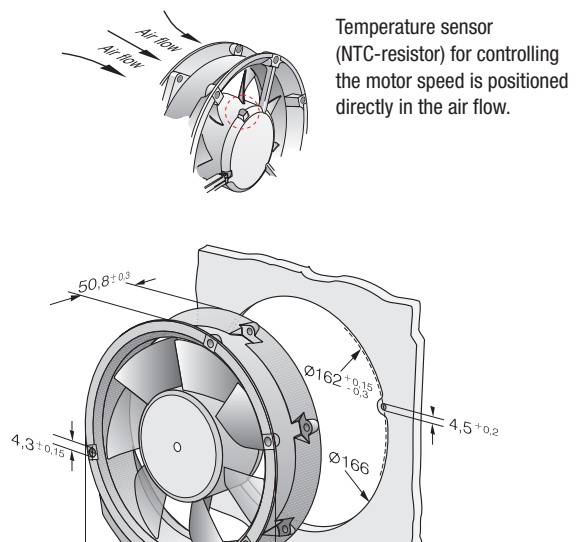
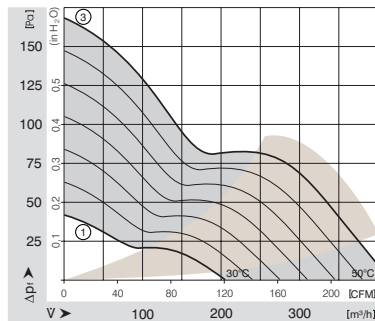
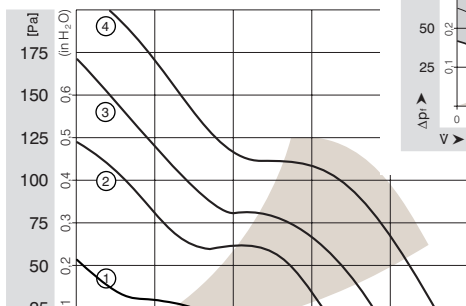


- DC fans with electronically commutated external rotor motor. Fully integrated commutation electronics. With electronic protection against reverse polarity and blocking; electronic motor current limitation in the start-up phase and when rotor is blocked.
- Metal fan housing, impeller of fibre-glass reinforced plastic PA.
- Air exhaust over struts. Rotational direction CCW looking at rotor.
- Electrical connection via 2 flat pins 3 x 0.5 mm.
Housing with ground lug M4 for M4 x 8 screws. 48 V DC with screws.
- Mass 820 g.
- Optional Vario-Pro: Highly adaptable software configuration of the fan enables a tailor-made solution to the specific requirements of your applications.

ebm-papst • St. Georgen

Nominal Data		Air Flow	Air Flow	Nominal Voltage	Voltage Range	Noise	Sinter-Sleeve Bearings	Ball Bearings	Power Input	Nominal Speed	Temperature Range	Service Life L ₁₀ at 40 °C	at t _{max}	Curve	Specials
Type	m³/h	CFM	V DC	V DC	dB(A)	Bel	□/■	Watt	min ⁻¹	°C	Hours	Hours		P. 83-92	
6212 NM	350	206.0	12	8...15	50	5.7	■	12.0	2 850	-20...+72	80 000 / 37 500	2			
6224 NM	350	206.0	24	12...32	50	5.7	■	12.0	2 850	-20...+72	80 000 / 37 500	2	/12; VP		
6224 N	410	241.3	24	12...28	55	6.1	■	18.0	3 400	-20...+72	75 000 / 35 000	3	/2; VP		
6224 NH	480	282.5	24	12...28	61	6.9	■	26.0	4 000	-20...+55*	70 000 / 50 000	4	VP		
6248NL	205	120.7	48	28...60	35	4.5	■	4.0	1 700	-20...+72	86 000 / 40 000	1	VP		
6248 NM	350	206.0	48	28...60	50	5.7	■	11.5	2 850	-20...+72	80 000 / 37 500	2	VP		
6248 N	410	241.3	48	28...60	55	6.1	■	17.0	3 400	-20...+72	75 000 / 35 000	3	/2;/12;VP		
6248 NH	480	282.5	48	36...56	61	6.9	■	26.0	4 000	-20...+55*	70 000 / 50 000	4	VP		
VARIOFAN100															
30°C 50°C	6224 NT	205	120.7	24	12...28	35	4.5	■	8.5	1 700	-10...+72	77 500 / 35 000	1	VP	
		410	241.3		55	6.1	18.0		3 400	4					
30°C 50°C	6248 NT	205	120.7	48	28...60	35	4.5	■	8.5	1 700	-10...+72	77 500 / 35 000	1	/12; VP	
		410	241.3		55	6.1	17.0		3 400						

* 72 °C upon request



DC Axial Fans

Series 6200 NTD TURBOFAN 172 Ø x 51 mm



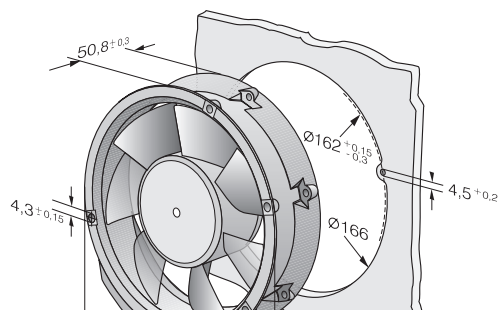
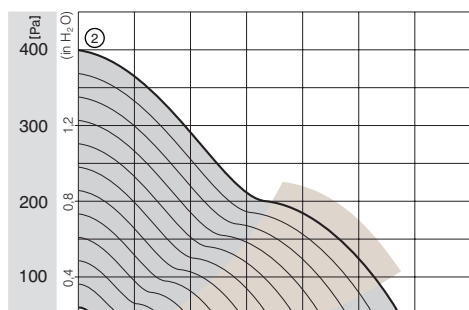
- Particularly powerful DC electronic fan with 3 phase EC drive and fully integrated operating electronics. For load-dependent speed control with highly intelligent motor management and power and speed reserves which open up completely new areas of application.
- Metal fan housing, impeller of fibre-glass reinforced plastic PA.
- Air exhaust over struts. CCW rotational direction looking at rotor.
- Electrical connection via leads. Housing with ground lug M4 for M4 x 8 screws.
- 48 V DC with screws.
- Mass 820 g.

ebm-papst • St. Georgen

Nominal Data		Air Flow	Air Flow	Nominal Voltage	Voltage Range	Noise	Sintec-Sleeve Bearings Ball Bearings	Power Input	Nominal Speed	Temperature Range	Service Life L ₁₀ at 40 °C	at t _{max}	Curve	Specials
Type		m ³ /h	CFM	V DC	V DC	dB(A)	□/■	Watt	min ⁻¹	°C	Hours	Hours		P. 91
min max	6224 NTD...	90	53.0	24	16...28	18	—	2.0	800	-20...+60	70 000		1	TF
		600	353.1			65	7.4	■	50.0				5 100	
min max	6248 NTD...	90	53.0	48	40...55*	18	—	2.0	800	-20...+60	70 000		1	TF
		600	353.1			65	7.4	■	50.0				5 100	

Type	Version
6248 NTDI	Temperature-controlled fan operation. NTC sensor integrated in fan
6248 NTDT	Temperature-controlled fan operation. NTC sensor externally connected to separate lead
6224 NTDA / 6248 NTDA	NTDI and NTDT: Minimum speed 2550 min ⁻¹ with standard-NTC. Temperature range from 30...50°C
NTDP	Speed setting via control voltage
	Speed setting via PWM signal

- * - Fan with extended voltage range available on request.
- Specific versions available on request.
- Technical data are realizable benchmark figures.
- Technical possibilities see Page 91.



DC Diagonal Fans

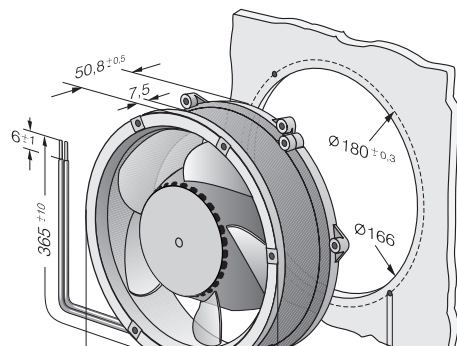
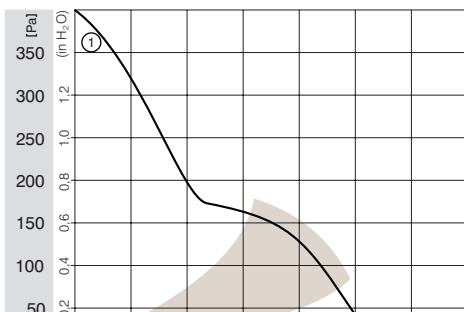
Series DV 6200 172 Ø x 51 mm



- DC fans with electronically commutated external rotor motor. Fully integrated commutation electronics. With electronic protection against reverse polarity and blocking; electronic motor current limitation in the start-up phase and when rotor is blocked.
- Metal fan housing, impeller of fibre-glass reinforced plastic PA.
- Air exhaust over struts. Rotational direction CCW looking at rotor.
- Optional Vario-Pro: Highly adaptable software configuration of the fan enables a tailor-made solution to the specific requirements of your applications.
- Electrical connection via leads AWG 22, TR 64. Stripped and tinned ends. Housing with ground lug M4 for M4 x 8 screws. 48 V DC with screws.
- Mass 820 g.

ebm-papst • St. Georgen

Nominal Data	Air Flow		Nominal Voltage	Voltage Range	Noise	Sinter-Sleeve Bearings Ball Bearings		Power Input	Nominal Speed	Temperature Range	Service Life L ₁₀ at 40 °C		Curve	Specials
	m³/h	CFM				V DC	V DC				dB(A)	Bel		
DV 6224	540	317.8	24	16...28	63	7.1	■	40.0	4 300	-20...+75	90 000 / 40 000	1 /2;/12;/17;/19;VP		
DV 6248	540	317.8	48	28...60	63	7.1	■	40.0	4 300	-20...+75	90 000 / 40 000	1 /12; VP		



DC Diagonal Fans

Series DV 6200 TD TURBOFAN 172 Ø x 51 mm



- Particularly powerful DC electronic fan with 3 phase EC drive and fully integrated operating electronics. For load-dependent speed control with highly intelligent motor management and power and speed reserves which open up completely new areas of application.
- Metal fan housing, impeller of fibre-glass reinforced plastic PA.
- Air exhaust over struts. CCW rotational direction looking at rotor.
- Electrical connection via leads. AWG 22, TR 64. Stripped and tinned ends. Housing with ground lug M4 for M4 x 8 screws. 48 V DC with screws.
- Mass 820 g.
- Diagonal fan with compression-proof curve and low noise level.

ebm-papst • St. Georgen

Nominal Data		Air Flow	Air Flow	Nominal Voltage	Voltage Range	Noise	Sintec-Sleeve Bearings Ball Bearings	Power Input	Nominal Speed	Temperature Range	Service Life L ₁₀ at 40 °C	at t _{max}	Curve	Specials
Type		m ³ /h	CFM	V DC	V DC	dB(A)	Bel	Watt	min ⁻¹	°C	Hours	Hours	P. 91	
DV 6248 TD		700	412.0	48	40...55	69	7.8	86.0	5500	-20...+60	65 000		2	TF
min max	DV 6224 TD...	100	58.9	24	16...36	29	—	2.0	800	-20...+60	65 000		1	TF
		700	412.0			69	7.8							
min max	DV 6248 TD...	100	58.9	48	40...55*	29	—	2.0	800	-20...+60	65 000		1	TF
		700	412.0			69	7.8							

Type	Version
DV6248 TDI	Temperature-controlled fan operation. NTC sensor integrated in fan lead TDI: Minimum speed 2700 min ⁻¹ with standard-NTC. Temperature range from 30...50°C
DV6224 TDA / DV6248 TDA	Speed setting via control voltage
DV6224 TDP / DV6248 TDP	Speed setting via PWM signal

- *- Fan with extended voltage range available on request.
- Specific versions available on request.
- Technical data are realizable benchmark figures.
- Technical possibilities see Page 91.

