

AC axial fans, AC diagonal fans

AC axial fans	Ø 130 - Ø 250	14
AC diagonal fans	Ø 208	20



AC axial fans

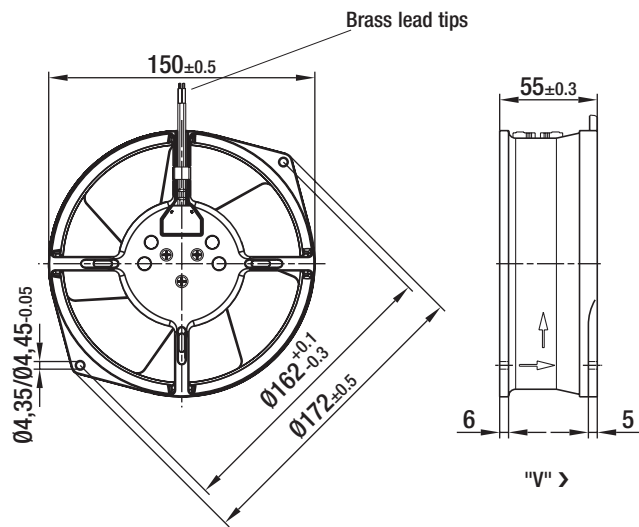
Ø 130



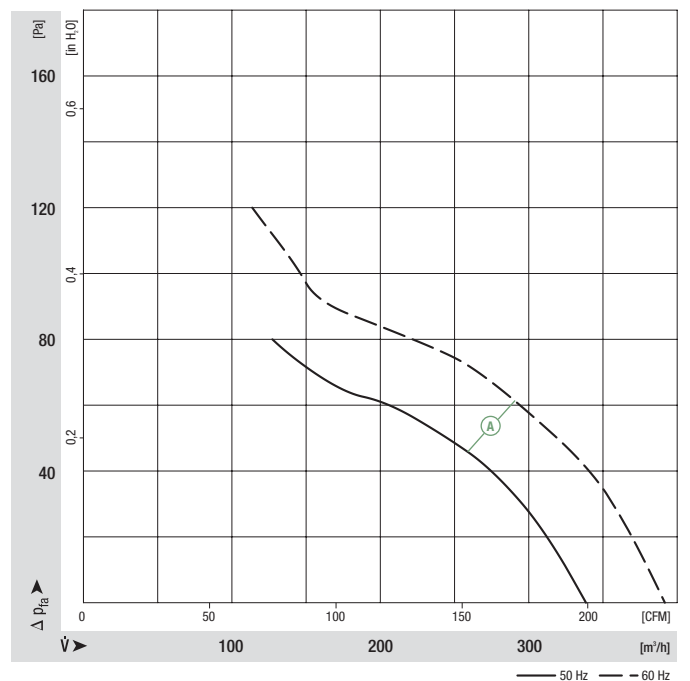
- **Material:**
Wall ring: Die-cast aluminium, coated in black
Blades: Sheet steel, coated in black
Rotor: Open, coated in black
- **Number of blades:** 7
- **Direction of air flow:** "V", exhaust over struts
- **Direction of rotation:** Counter-clockwise, seen on rotor
- **Type of protection:** IP 20
- **Insulation class:** "B"
- **Mounting position:** Any
- **Condensate discharges:** None
- **Mode of operation:**
Continuous operation (S1)
- **Bearings:** Maintenance-free ball bearings
- **Motor protection:** TOP wired internally
- **Electrical connection:**
Cable length 330 mm, beginning at wall ring
- **Protection class:** I
- **Product conforming to standards:**
EN 60335-1, CE
- **Approvals:** VDE, UL, CSA, CCC, GOST

Nominal data		Curve	Nominal voltage	Frequency	Air flow	Speed/rpm	Power input	Current draw	Capacitor	Sound pressure level	Max. operative range	Perm. amb. temp.	Mass	Electr. connection
Type	Motor		VAC	Hz	m³/h	rpm	W	A	µF/VDB	dB(A)	Pa	°C	kg	p. 416 f.
W2S 130-AA25 -01	M2S 052-CA	Ⓐ	1~ 115	50	325	2800	41	—	—	49	80	-25 to +60	1.1	B)
			1~ 115	60	380	3250	38	—	—	53	120	-25 to +80		
W2S 130-AA03 -01	M2S 052-CA	Ⓐ	1~ 230	50	325	2800	45	—	—	49	80	-25 to +50	1.1	B)
			1~ 230	60	380	3250	39	—	—	53	120	-25 to +70		

subject to alterations



Curves



AC axial fans

Ø 130

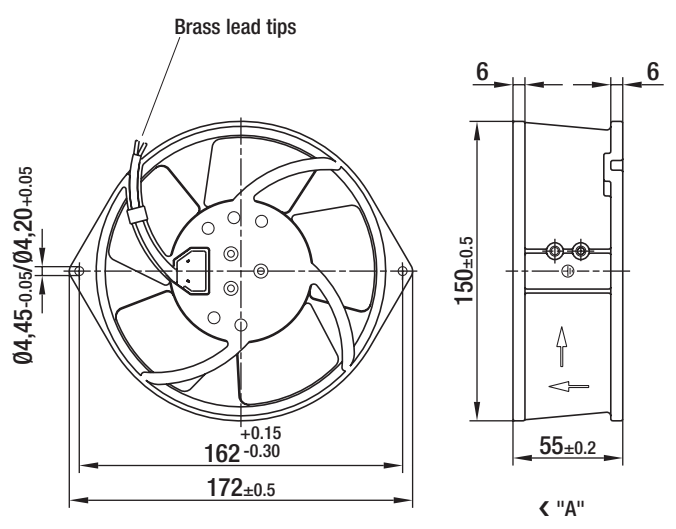
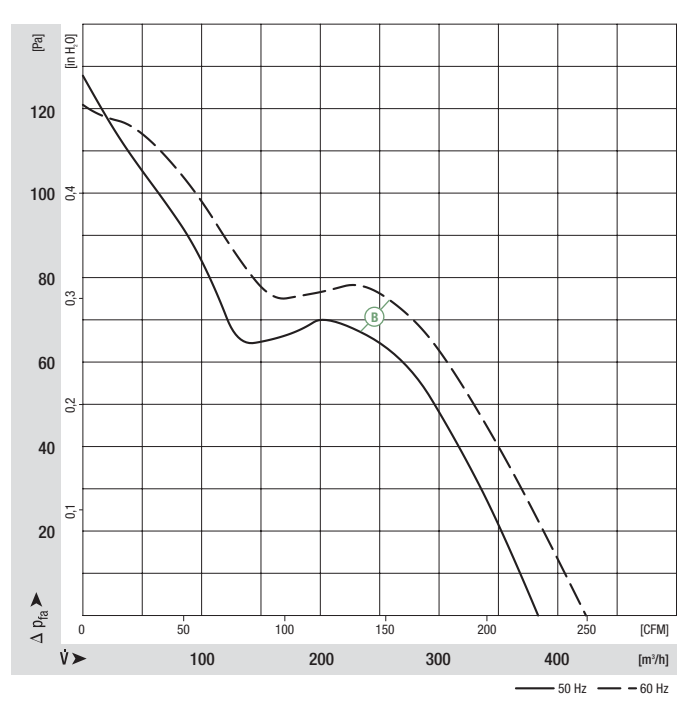


- **Material:**
Wall ring: Die-cast aluminium, coated in black
Blades: Sheet steel, coated in black
Rotor: Open, coated in black
- **Number of blades:** 5
- **Direction of air flow:** "A", intake over struts
- **Direction of rotation:** Counter-clockwise, seen on rotor
- **Type of protection:** IP 20
- **Insulation class:** "B"
- **Mounting position:** Any
- **Condensate discharges:** None
- **Mode of operation:** Continuous operation (S1)
- **Bearings:** Maintenance-free ball bearings
- **Motor protection:** TOP wired internally
- **Electrical connection:** Cable length 330 mm, beginning at wall ring
- **Protection class:** I
- **Product conforming to standards:** EN 60335-1, CE
- **Approvals:** VDE, UL, CSA, CCC, GOST

Nominal data		Curve	Nominal voltage	Frequency	Air flow	Speed/rpm	Power input	Current draw	Capacitor	Sound pressure level	Max. operative range	Perm. amb. temp.	Mass	Electr. connection
Type	Motor		VAC	Hz	m³/h	rpm	W	A	µF/VDB	dB(A)	Pa	°C	kg	p. 416 f.
W2S 130-BM15-01	M2S 052-CA	ⓑ	1~ 115	50	380	2700	47	—	—	60	—	-25 to +50	1.1	B)
			1~ 115	60	425	3050	46	—	—	62	—	-25 to +70		
W2S 130-BM03-01	M2S 052-CA	ⓑ	1~ 230	50	380	2700	47	—	—	60	—	-25 to +50	1.1	B)
			1~ 230	60	425	3050	46	—	—	62	—	-25 to +70		

subject to alterations

Curves



AC axial fans

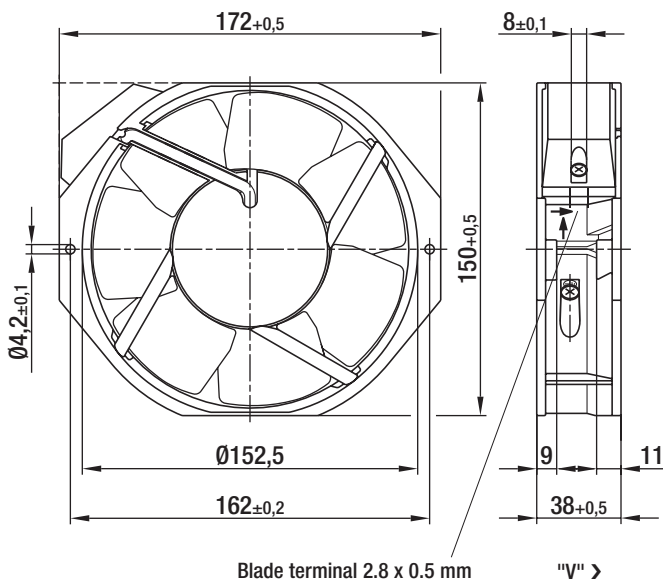
Ø 142



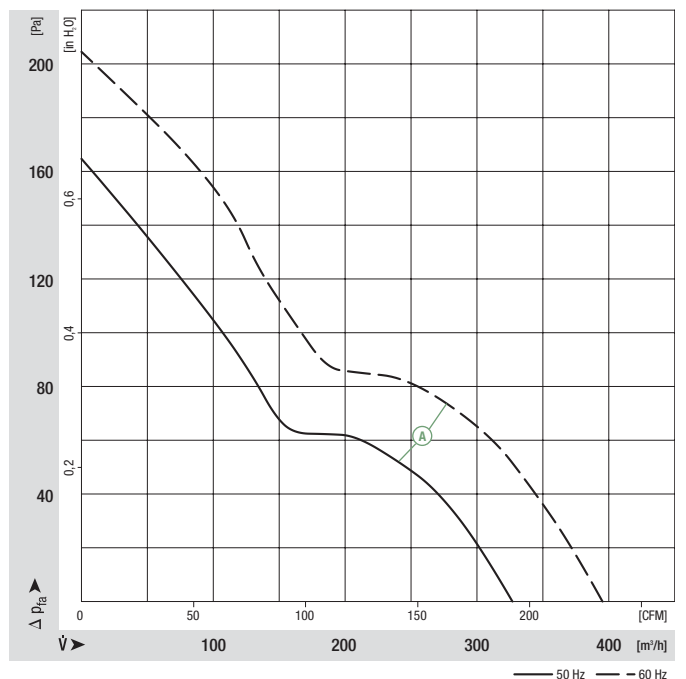
- **Material:**
Wall ring: Die-cast aluminium, coated in black
Blades: Sheet steel, coated in black
Rotor: Open, coated in black
- **Number of blades:** 7
- **Direction of air flow:** "V", exhaust over struts
- **Direction of rotation:** Counter-clockwise, seen on rotor
- **Type of protection:** IP 22
- **Insulation class:** "B"
- **Mounting position:** Any
- **Condensate discharges:** None
- **Mode of operation:**
Continuous operation (S1)
- **Bearings:** Maintenance-free ball bearings
- **Motor protection:** TOP wired internally
- **Electrical connection:** Blade terminal 2.8 x 0.5 mm (operating capacitor connected)
- **Protection class:** I
- **Product conforming to standards:**
EN 60335-1, CE
- **Approvals:** VDE, UL, CSA, CCC, GOST

Nominal data		Curve	Nominal voltage	Frequency	Air flow	Speed/rpm	Power input	Current draw	Capacitor	Sound pressure level	Max. operative range	Perm. amb. temp.	Mass
Type	Motor		VAC	Hz	m³/h	rpm	W	A	µF/VDB	dB(A)	Pa	°C	kg
W2E 142-BB05 -01	M2E 052-BA	Ⓐ	1~ 115	50	330	2800	25	—	—	52	—	-25 to +55	0.9
			1~ 115	60	390	3300	24	—	—	57	—	-25 to +70	
W2E 142-BB01 -01	M2E 052-BA	Ⓐ	1~ 230	50	330	2800	25	—	—	52	—	-25 to +55	0.9
			1~ 230	60	390	3300	24	—	—	57	—	-25 to +70	

subject to alterations



Curves



AC axial fans

Ø 143

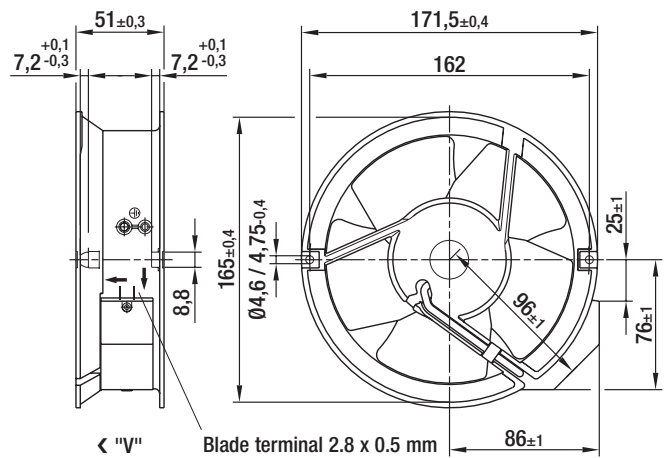
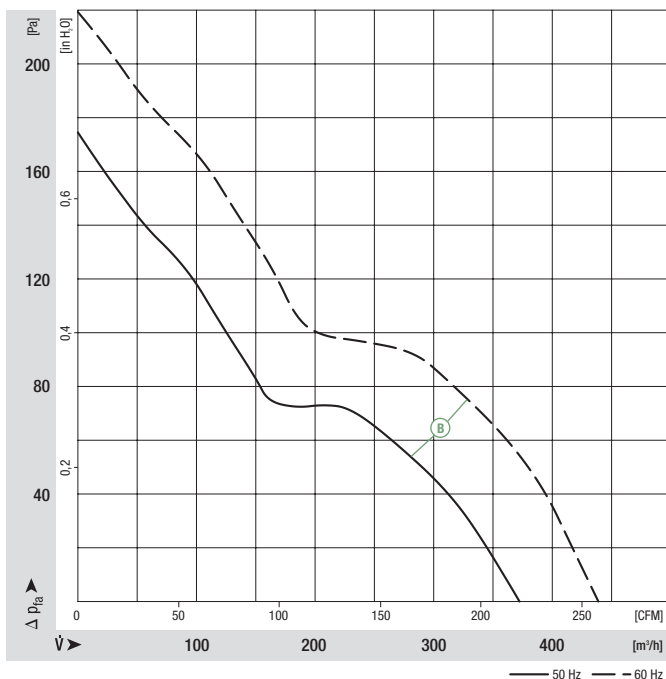


- **Material:**
Wall ring: Die-cast aluminium, coated in black
Blades: Sheet steel, coated in black
Rotor: Open, coated in black
- **Number of blades:** 5
- **Direction of air flow:** "V", exhaust over struts
- **Direction of rotation:** Counter-clockwise, seen on rotor
- **Type of protection:** IP 20
- **Insulation class:** "B"
- **Mounting position:** Any
- **Condensate discharges:** None
- **Mode of operation:**
Continuous operation (S1)
- **Bearings:** Maintenance-free ball bearings
- **Motor protection:** TOP wired internally
- **Electrical connection:** Blade terminal 2.8 x 0.5 mm (operating capacitor connected)
- **Protection class:** I
- **Product conforming to standards:**
EN 60335-1, CE
- **Approvals:** VDE, UL, CSA, CCC, GOST

Nominal data		Curve	Nominal voltage	Frequency	Air flow	Speed/rpm	Power input	Current draw	Capacitor	Sound pressure level	Max. operative range	Perm. amb. temp.	Mass
Type	Motor	VAC	Hz	m³/h	rpm	W	A	µF/VDB	dB(A)	Pa	°C	kg	
W2E143-AA15-01	M2E 052-BF	ⓑ 1~ 115	50	375	2800	24	—	—	55	—	-25 to +70	1.0	
		1~ 115	60	440	3300	26	—	—	60	—	-25 to +70		
W2E143-AA09-01	M2E 052-BF	ⓑ 1~ 230	50	375	2800	24	—	—	55	—	-25 to +70	1.0	
		1~ 230	60	440	3300	26	—	—	60	—	-25 to +70		

subject to alterations

Curves



AC axial fans

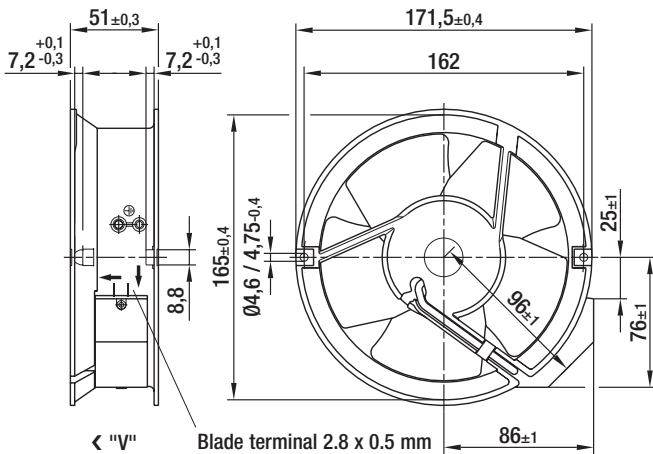
Ø 143



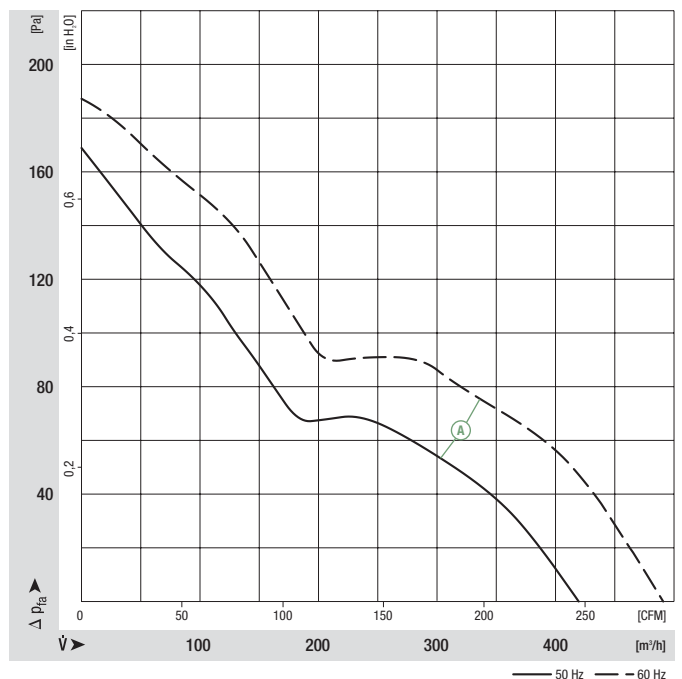
- **Material:**
Wall ring: Die-cast aluminium, coated in black
Blades: Sheet steel, coated in black
Rotor: Open, coated in black
- **Number of blades:** 5
- **Direction of air flow:** "V", exhaust over struts
- **Direction of rotation:** Counter-clockwise, seen on rotor
- **Type of protection:** IP 20
- **Insulation class:** "B"
- **Mounting position:** Any
- **Condensate discharges:** None
- **Mode of operation:** Continuous operation (S1)
- **Bearings:** Maintenance-free ball bearings
- **Motor protection:** TOP wired internally
- **Electrical connection:** Blade terminal 2.8 x 0.5 mm (operating capacitor connected)
- **Protection class:** I
- **Product conforming to standards:** EN 60335-1, CE
- **Approvals:** VDE, UL, CSA, CCC, GOST

Nominal data		Curve	Nominal voltage	Frequency	Air flow	Speed/rpm	Power input	Current draw	Capacitor	Sound pressure level	Max. operative range	Perm. amb. temp.	Mass
Type	Motor	VAC	Hz	m ³ /h	rpm	W	A	µF/VDB	dB(A)	Pa	°C	kg	
W2E 143-AB15 -01	M2E 052-BF	Ⓐ 1~ 115	50	420	2800	26	—	—	54	—	-25 to +60	1.0	
		1~ 115	60	500	3300	29	—	—	58	—	-25 to +75		
W2E 143-AB09 -01	M2E 052-BF	Ⓐ 1~ 230	50	420	2800	26	—	—	54	—	-25 to +60	1.0	
		1~ 230	60	500	3300	29	—	—	58	—	-25 to +75		

subject to alterations



Curves



AC axial fans

Ø 200

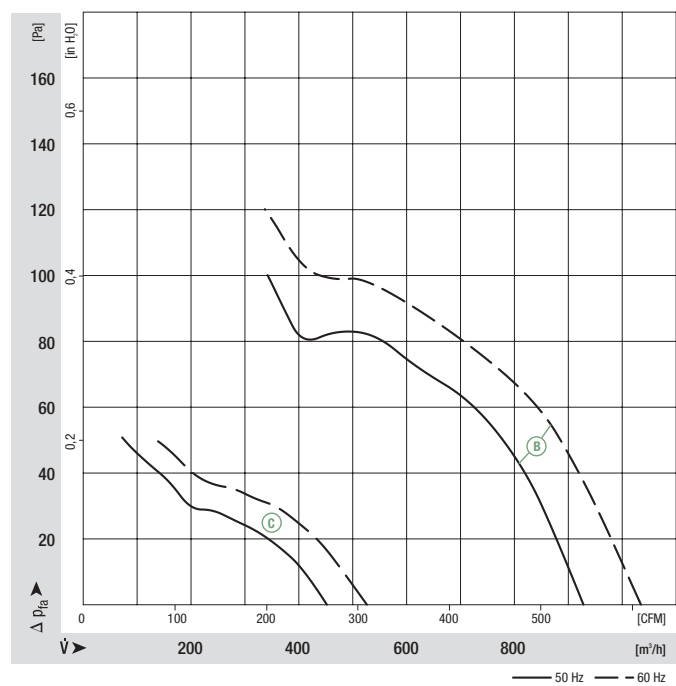


- **Material:**
 Wall ring: Die-cast aluminium
 Blades: Sheet steel, coated in black
 Rotor: Coated in black
- **Number of blades:** 7
- **Direction of air flow:** "V", exhaust over struts
- **Direction of rotation:** Counter-clockwise, seen on rotor
- **Type of protection:** IP 44
- **Insulation class:** "B"
- **Mounting position:** Any
- **Condensate discharges:** None
- **Mode of operation:**
 Continuous operation (S1)
- **Bearings:** Maintenance-free ball bearings
- **Motor protection:** TOP wired internally
- **Electrical connection:** Terminal strips (operating capacitor connected)
- **Protection class:** I
- **Product conforming to standards:**
 EN 60335-1, CE
- **Approvals:** VDE, UL, CSA, CCC;
 Ⓟ also GOST

Nominal data		Curve	Nominal voltage	Frequency	Air flow	Speed/rpm	Power input	Current draw	Capacitor	Sound pressure level	Max. operative range	Perm. amb. temp.	Mass
Type	Motor	VAC	Hz	m³/h	rpm	W	A	µF/VDB	dB(A)	Pa	°C	kg	
W2E 200-HK86 -01	M2E 068-BF	Ⓟ	1~ 115	50	925	2550	64	0.58	5.0/220	59	100	-25 to +60	2.0
			1~ 115	60	1030	2800	80	0.70	5.0/220	61	120	-25 to +65	
W2E 200-HK38 -01	M2E 068-BF	Ⓟ	1~ 230	50	925	2550	64	0.29	1.5/400	59	100	-25 to +60	2.0
			1~ 230	60	1030	2800	80	0.35	1.5/400	61	120	-25 to +65	
W4S 200-HK04 -01	M4S 068-BF	Ⓞ	1~ 230	50	450	1370	30	0.21	—	40	50	-25 to +70	2.0
			1~ 230	60	525	1590	26	0.18	—	44	50	-25 to +80	

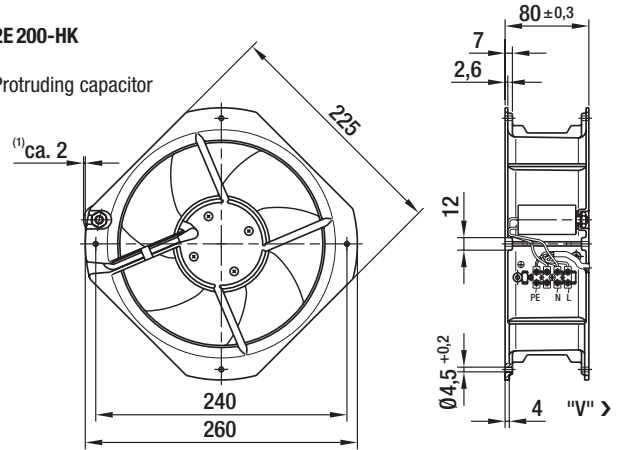
subject to alterations

Curves

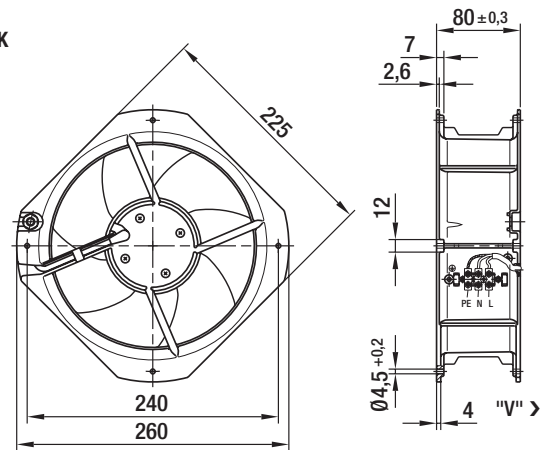


W2E 200-HK

⁽¹⁾ Protruding capacitor



W4S 200-HK



AC diagonal fans

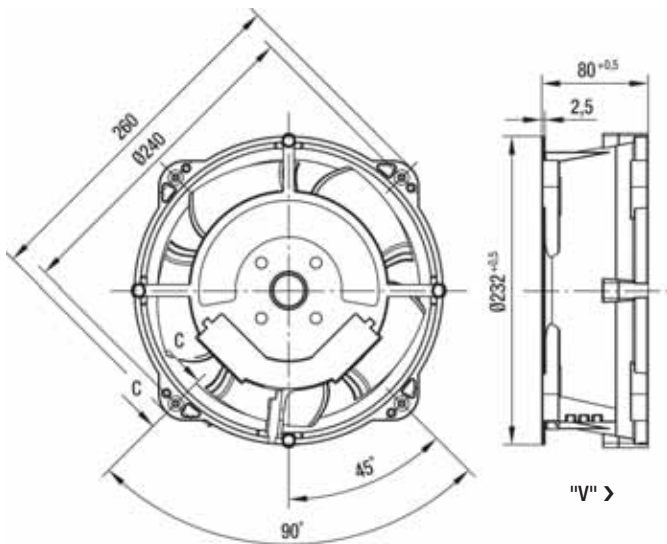
Ø 208



- **Material:**
Wall ring: Die-cast aluminium
Blades: Plastic PA
Rotor: Coated in black
- **Number of blades:** 5
- **Direction of air flow:** "V", exhaust over struts
- **Direction of rotation:** Counter-clockwise, seen on rotor
- **Type of protection:** IP 44
- **Insulation class:** "F"
- **Mounting position:** Any
- **Condensate discharges:** None
- **Mode of operation:**
Continuous operation (S1)
- **Bearings:** Maintenance-free ball bearings
- **Motor protection:** (A) Without TOP, (B) TOP wired internally
- **Electrical connection:** Terminal strips (operating capacitor connected)
- **Protection class:** I
- **Product conforming to standards:**
EN 60335-1, (B) also CE
- **Approvals:** VDE, CCC, GOST

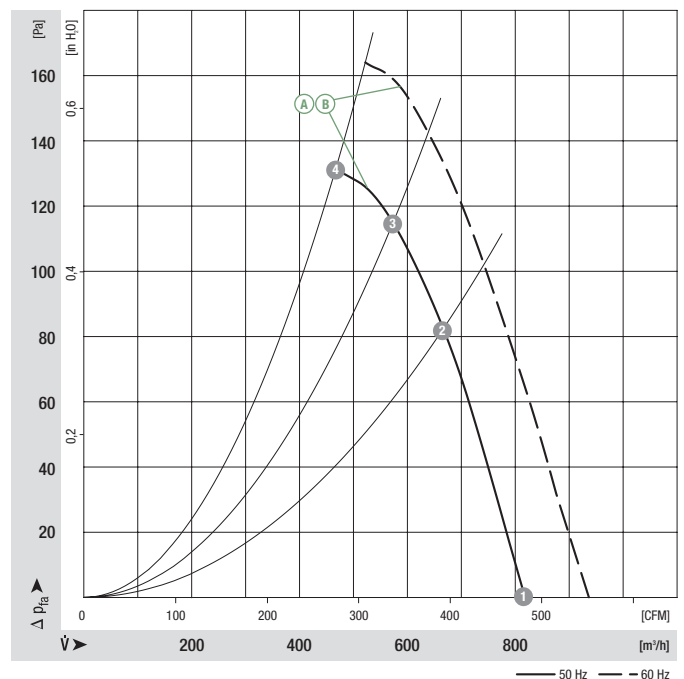
Nominal data		Curve	Nominal voltage	Frequency	Air flow	Speed/rpm	Power input	Current draw	Capacitor	Sound pressure level	Max. operative range	Perm. amb. temp.	Mass
Type	Motor	VAC	Hz	m³/h	rpm	W	A	µF/VDB	dB(A)	Pa	°C	kg	
W2D208-BA02 -01	M2D 068-CF	(A) 3~ 400 Y	50	820	2740	60	0.15	—	67	135	-25 to +70	2.8	
		3~ 400 Y	60	920	3090	80	0.15	—	70	165	-25 to +70		
W2E 208-BA86 -01	M2E 068-CF	(B) 1~ 115	50	815	2750	67	0.70	6.0/220	68	135	-25 to +72	2.8	
		1~ 115	60	925	3100	87	0.78	6.0/220	70	165	-25 to +72		
W2E 208-BA20 -01	M2E 068-CF	(B) 1~ 230	50	815	2750	67	0.33	1.5/450	68	135	-25 to +72	2.8	
		1~ 230	60	925	3100	87	0.39	1.5/450	70	165	-25 to +72		

subject to alterations



	n [rpm]	P ₁ [W]	Lp _A [dB(A)]		n [rpm]	P ₁ [W]	Lp _A [dB(A)]
(A) 1	3090	80	70	(B) 1	3100	87	70
(A) 2	2990	93	69	(B) 2	2990	100	70
(A) 3	2960	96	69	(B) 3	2960	102	69
(A) 4	2990	92	70	(B) 4	3020	97	70

Curves



AC axial fans

Ø 250



- **Material:**
 Wall ring: Die-cast aluminium
 Blades: Sheet steel, coated in black
 Rotor: Coated in black
- **Number of blades:** 7
- **Direction of air flow:** "V", exhaust over struts
- **Direction of rotation:** Counter-clockwise, seen on rotor
- **Type of protection:** IP 44
- **Insulation class:** "F"
- **Mounting position:** Any
- **Condensate discharges:** None
- **Mode of operation:**
 Continuous operation (S1)
- **Bearings:** Maintenance-free ball bearings
- **Motor protection:** TOP wired internally
- **Electrical connection:** Terminal strips (operating capacitor connected)
- **Protection class:** I
- **Product conforming to standards:**
 EN 60335-1, CE
- **Approvals:** VDE, UL, CSA, CCC, GOST

Nominal data		Curve	Nominal voltage	Frequency	Air flow	Speed/rpm	Power input	Current draw	Capacitor	Sound pressure level	Max. operative range	Perm. amb. temp.	Mass
Type	Motor	VAC	Hz	m³/h	rpm	W	A	µF/VDB	dB(A)	Pa	°C	kg	
W2E 250-HL06 -01	M2E 068-CF	Ⓢ	1~ 230 1~ 230	50 60	1865 1970	2550 2700	127 180	0.56 0.79	4.0/400 4.0/400	69 70	100 100	-25 to +60 -25 to +45	2.0

subject to alterations

Curves

