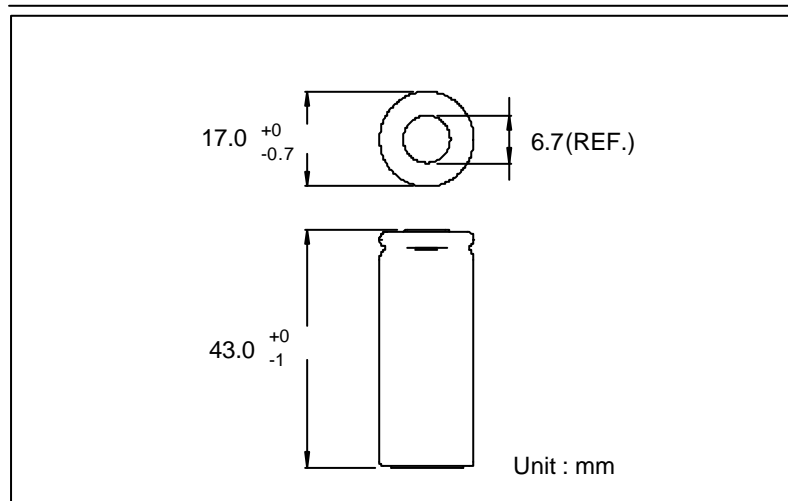


GP Batteries

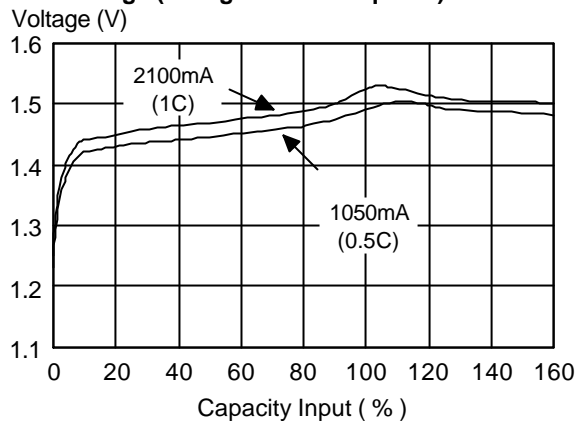
Data Sheet

Model No.: GP211AFH

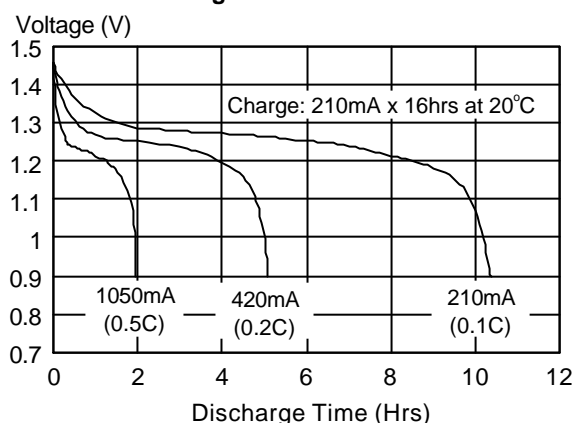
| | | |
|---------------------------------|---|-------------|
| Type | Rechargeable Nickel Metal Hydride Cylindrical Cell | |
| Nominal Dimension (with Sleeve) | $\Phi = 17.0\text{mm}$ | H = 43.0mm |
| Applications | Recommended discharge current 210 to 6300mA | |
| Nominal Voltage | 1.2V | |
| Capacity | Minimum: 2100mAh Typical: 2160mAh When discharged at 420mA to 1.0V at 20°C | |
| Charging Condition | 210mA for 16 hrs at 20°C | |
| Fast Charge | 1050mA to 2100mA (0.5 to 1C) charge termination control recommended control parameters: - ΔV : 0 - 5mV DT/dt : 0.8°C/min (0.5 to 0.9C) : 0.8 - 1°C/min (1C) TCO : 45 - 50°C Timer : 105% nominal input | |
| Service Life | >500 cycles (IEC standard) | |
| Continuous Overcharge | 210mA maximum current for 1 year No conspicuous deformation and/or leakage | |
| Weight | 32.0g | |
| Internal Resistance | Average 17m Ω upon fully charged (Range 15-25m Ω) at 1000Hz | |
| Max. Charging Voltage | 1.5V at 210mA charging | |
| Ambient Temperature Range | Standard Charging | 0 to 45°C |
| | Fast Charging | 10 to 45°C |
| | Discharging | -20 to 50°C |
| | Storage | -20 to 35°C |



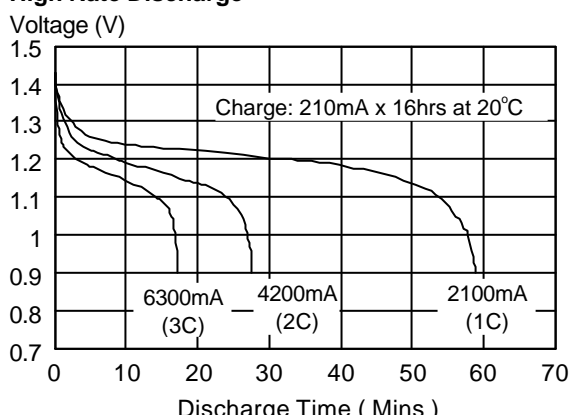
Fast Charge (Charge control required)



Low Rate Discharge



High Rate Discharge



* The information (subject to change without prior notice) contained in this document is for reference only and should not be used as a basis for product guarantee or warranty. For applications other than those described here, please consult your nearest GP Sales and Marketing Office or Distributors.