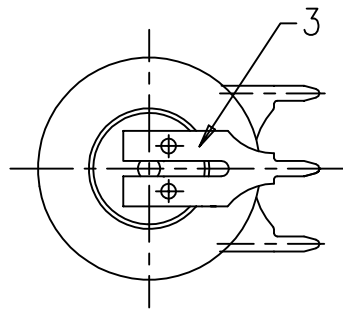
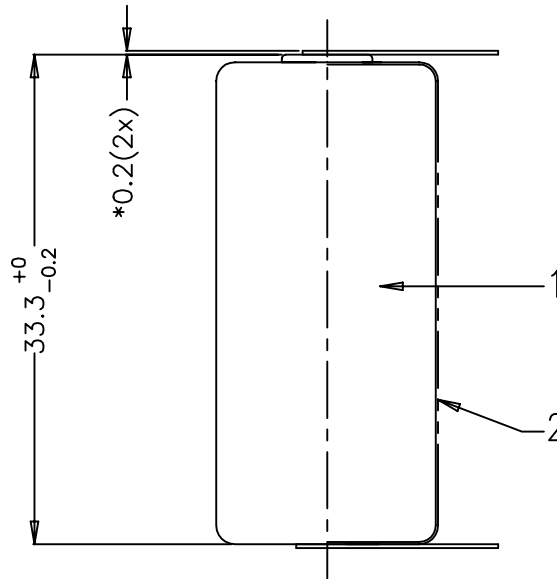
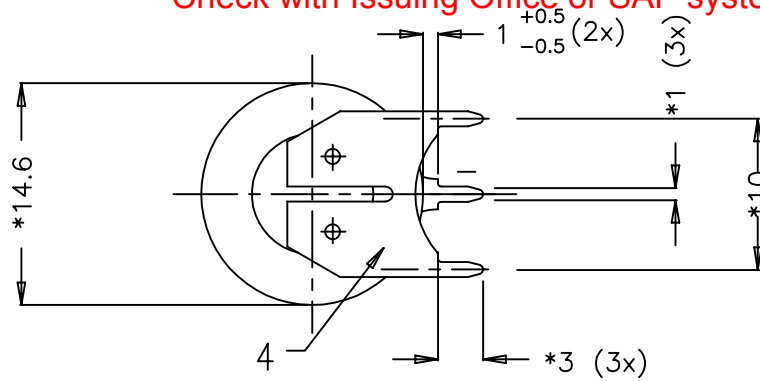


This is a controlled document.
 Hardcopy to be endorsed by authorized person.
 Check with Issuing Office or SAP system for latest update.



Note : 1) * Dimensions for reference only.
 2) Use UL approved green shrink sleeve

No.	Alterations:	Date:	Name:	Dimensions in mm	Material:
0	Refer to # 001523	1999-08-03	Tatang	Tolerance: As specified	Refer to part list no: 071788
1	AO T85/99; To Change Tags from #024970 to #027976 & from #024979 to #027980	1999-10-10	Tatang	Projection: Scale: 2 : 1	
2	AO T88/00; To change the- from #027976 to #024970 & from #027980 to #024979	2000-08-15	RitisWS	Date: 1999-08-03 Name: Tatang Prepared: 2000- Approved: 2000-	CR 2/3 AA SLF battery with shrink sleeve & solder tags
RIGHTS RESERVED TO MAKE TECHNICAL CHANGES, AS A RESULT OF FURTHER DEVELOPMENT, WITHOUT NOTICE . THIS DRAWING IS THE PROPERTY OF VARTA BATTERIES PTE LTD AND MUST NOT BE COPIED OR DISCLOSED TO A THIRD PARTY WITHOUT THE WRITTEN CONSENT OF VARTA BATTERIES PTE LTD.				Dwg. No: 071788	
Distribution: 0, 1, 1.1, 2, 2.1, 2.2, 3, 3.1, 3.1.1, 3.2, 3.3, 3.4, 4 .				VKB Order No: 06237 201 301	Orig No:
VARTA THE BATTERY EXPERTS					