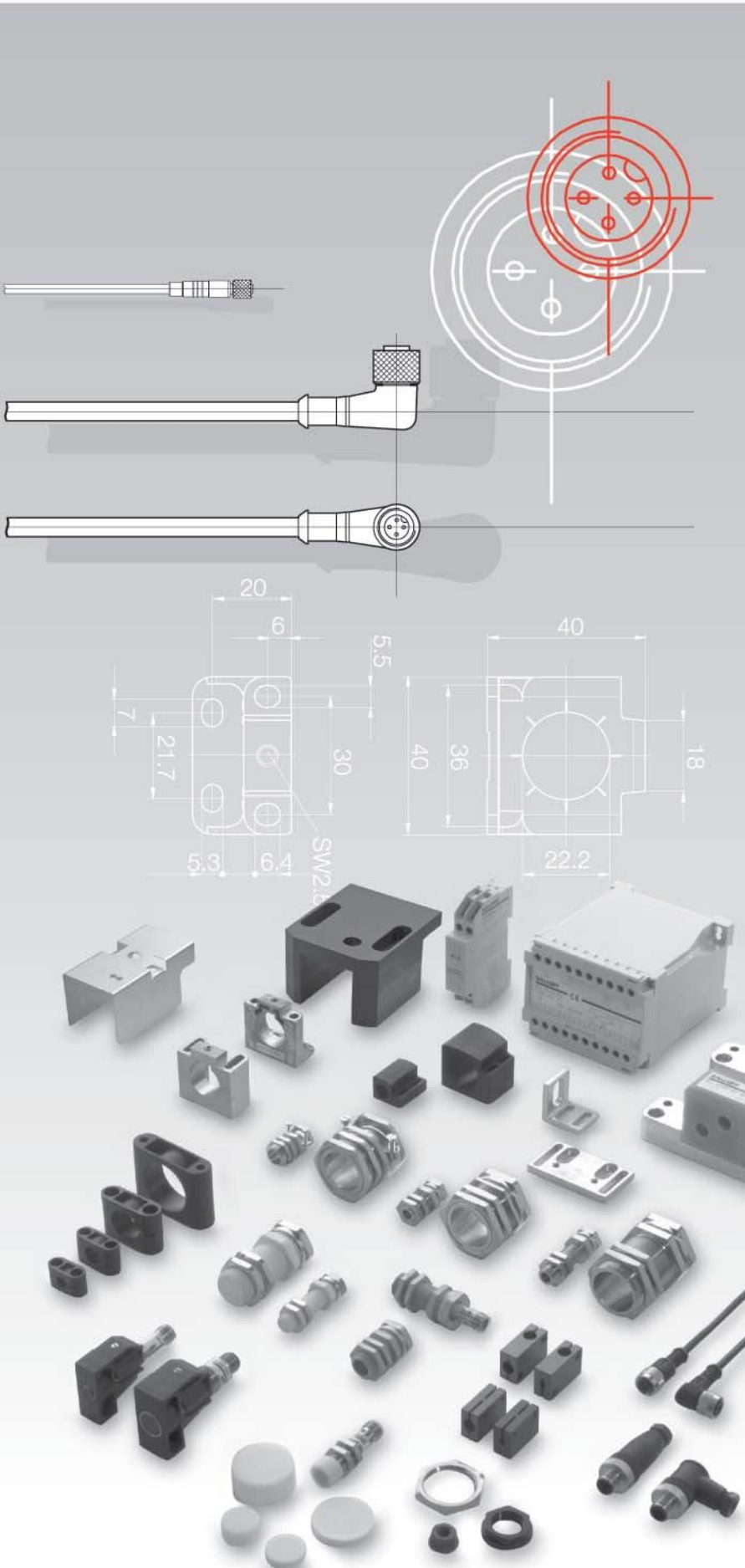


Accessories



- Connectors**
- 5.2 DC connectors
- 5.3 M5 connection (S26)
- 5.3 M8 connection (S49, S75)
- DC connection cable with M8 connector (S49, S75)
- 5.10 DC connection cables
- DC connectors MQ12 connection (S4)
- M12 connection (S4)
- 5.18 DC connectors for user assembly
- 5.22 AC/DC connectors M12 connection (S27)
- 5.23 DC-2-wire M12 connection (S220)

- Splitter boxes and accessories**
- 5.24 BSB splitter boxes M12, metal
- 5.26 BSB splitter boxes M12, plastic
- 5.29 BSB splitter boxes M8, plastic
- 5.30 Connectors
- 5.32 Screw plugs, Tee, adapters
- 5.34 BSB splitter boxes

- Electrical devices**
- 5.35 Pulse extender
- 5.36 Analog switching amplifiers
- 5.38 Power supplies
- 5.40 Testers
- 5.42 Signal adapter
- 5.45 Digital display

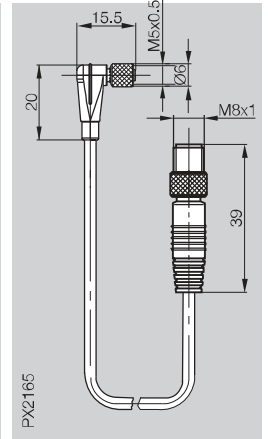
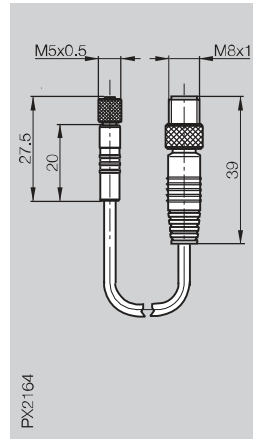
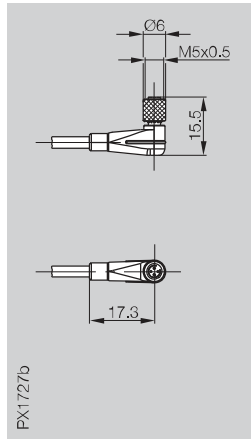
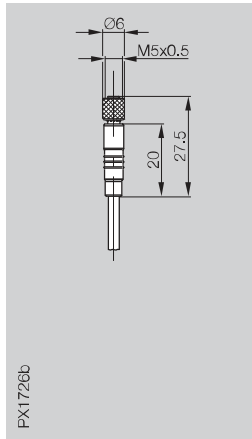
- Fasteners**
- 5.46 BMS Mounting System
- 5.58 Clamps, holders, mounting cuffs
- 5.65 Mounting brackets, reducing sleeve
- 5.66 Positive stops
- 5.67 Mounting clamps for row mounting of sensors
- 5.68 Mounting bracket, mounting socket and holding system for Unicomact
- 5.69 Weld protection and protective cover for Unicomact, mounting plate for Unisensor
- 5.70 Cover nuts, nuts, seal nut

- Tools**
- 5.74 BMF Hex Key, Important notes

5

Connectors
Splitter boxes with accessories
Electrical devices
Fasteners
Tools

Connector	BKS-B 25	BKS-B 26	BKS-B 25-_/GS49	BKS-B 26-_/GS49
Version	straight female	angle female	straight female/ straight male	angle female/ straight male
Application	Plug sensors S26	Plug sensors S26	Plug sensors S26	Plug sensors S26



no LED, NO	BKS-B 25-1-PU-03	BKS-B 26-1-PU-03	BKS-B 25-1/GS49-PU-01	BKS-B 26-1/GS49-PU-01
no LED, NC or NO				
no LED, complementary	BKS-B 25-3-PU-03	BKS-B 26-3-PU-03		
with LED, NC or NO PNP				
with LED, NC or NO NPN				

Supply voltage U_B	10...30 V DC	10...30 V DC	10...30 V DC	10...30 V DC
Cable	3 m molded-on PUR	3 m molded-on PUR	1 m molded-on PUR	1 m molded-on PUR
No. of wires x cross-section	3x0,14 mm ² /4x0,14 mm ²	3x0,14 mm ² /4x0,14 mm ²	3x0,14 mm ²	3x0,14 mm ²
Degree of protection per IEC 60529	IP 67	IP 67	IP 67	IP 67
Ambient temperature range T_a	-25...+85 °C	-25...+85 °C	-25...+85 °C	-40...+85 °C

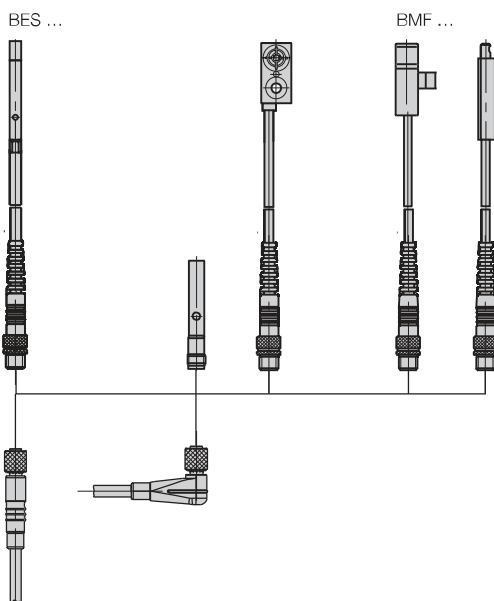
View of female side				
---------------------	--	--	--	--

Other cable lengths and cable qualities on request.

Ordering examples

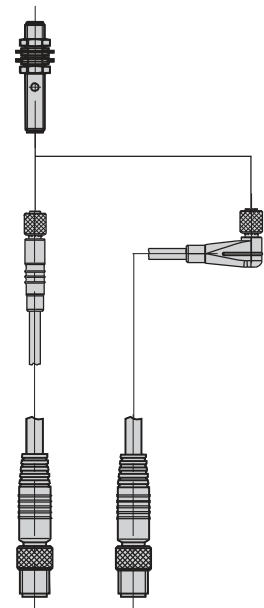
- PUR, Length 1 m = BKS-B 25-1/GS49-PU-01
- PVC, Length 3 m = BKS-B 48-1-03
- PUR, Length 3 m = BKS-B 48-1-PU-03

Sensors with connector
Ordering code endings S26



Connector with mounting thread
M5x0.5

Sensors with connector
Ordering code endings S25



Connection cable with mounting thread
M5x0.1/M8x1

BKS-B 25

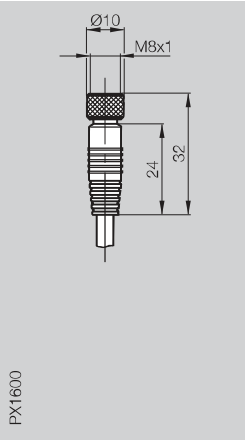
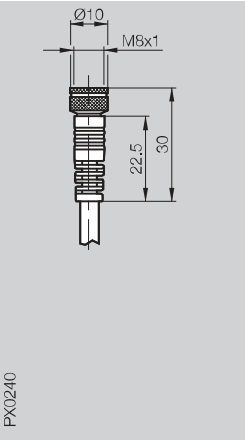
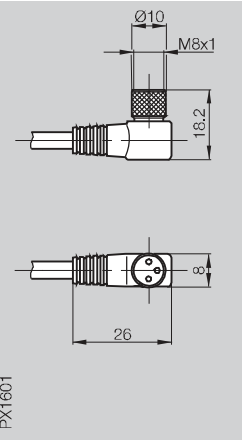
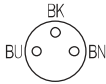
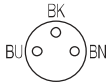
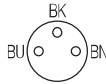
BKS-B 26

BKS-B 25-1/GS49

BKS-B 26-1/GS49

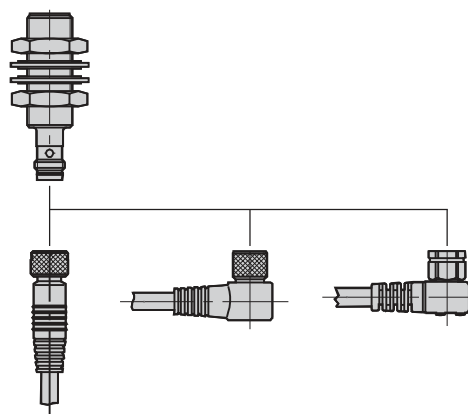
M8 Accessories

DC connectors
M8 connection (S49)

BKS-B 48 straight female	BKS-B 48 straight female	BKS-S 48 straight female	BKS-B 49 angle female	BKS-S 49 angle female	
Plug sensors S49		Plug sensors S49		Plug sensors S49	
					
					
BKS-B 48-1-03 10...30 V DC 3 m molded-on PVC 3x0,25 mm ² IP 67 -20...+85 °C		BKS-B 48-1-PU2-05 10...30 V DC 5 m molded-on PUR 3x0,34 mm ² IP 67 -25...+120 °C		BKS-S 48-03 10...30 V DC 3 m molded-on PVC 3x0,34 mm ² IP 67 -25...+90 °C	
BKS-B 49-1-03 10...30 V DC 3 m molded-on PVC 3x0,25 mm ² IP 67 -20...+85 °C		BKS-B 49-4-03 10...30 V DC 3 m/5 m molded-on PUR 3x0,34 mm ² IP 67 -25...+90 °C		BKS-S 49-1-PU-03 10...30 V DC 3 m/5 m molded-on PUR 3x0,34 mm ² IP 67 -25...+90 °C	

Sensors with connector
Ordering code endings S49

Connector with mounting thread
M8x1



BKS-B 48/
BKS-S 48

BKS-B 49/
BKS-S 49

BKS-S 49E

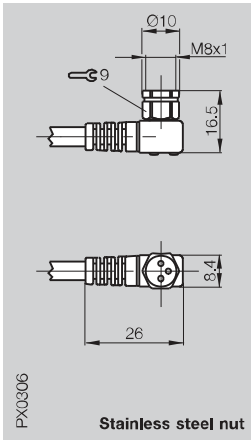
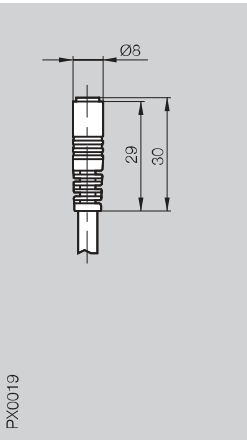
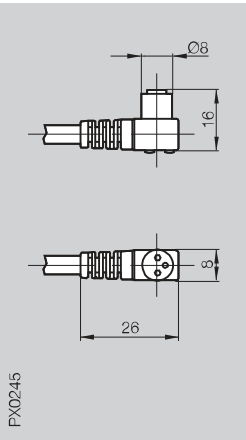
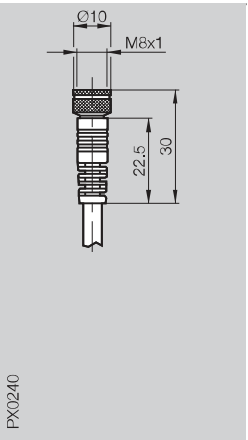
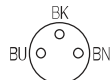
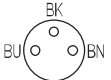
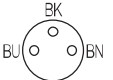

Function and color of the LED's

2 LED's: green = Power, yellow = Switching output status

5

Connectors

- Splitter boxes with accessories
- Electrical devices
- Fasteners
- Tools

Connector Version	BKS-S 49E angle female	BKS-S 41 straight female	BKS-S 40 angle female	BKS-S 74 straight female
Application	Plug sensors S49	Plug sensors S49	Plug sensors S49	Plug sensors S75
				
no LED, NC or NO		BKS-S 41-1-05	BKS-S 40-1-PU-03	
no LED, complementary				BKS-S 74-3-03
no LED, complementary shielded				
with LED, NC or NO PNP	BKS-S 49E-4-PU-03		BKS-S 40-4-PU-03	
with LED, NC or NO NPN			BKS-S 40-6-PU-03	
Supply voltage U _B	10...30 V DC	10...30 V DC	10...30 V DC	10...30 V DC
Cable	3 m molded-on PUR	5 m molded-on PVC	3 m molded-on PUR	3 m molded-on PVC
No. of wires x cross-section	3x0,34 mm ²	3x0,34 mm ²	3x0,34 mm ²	4x0,34 mm ²
Cable diameter min.				
Connection				
Degree of protection per IEC 60529	IP 67	IP 65	IP 65	IP 67
Ambient temperature range T _a	-25...+90 °C	-25...+90 °C	-25...+90 °C	-25...+90 °C
View of female/male side				

Other cable lengths and cable qualities on request.

Ordering examples

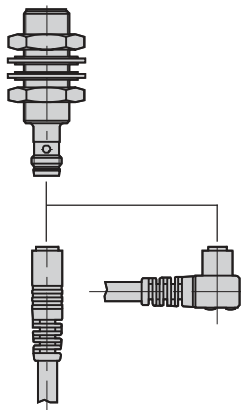
PVC, Length 3 m = BKS-S 41-1-03
PUR, Length 3 m = BKS-S 49E-4-PU-03

Function and color of the LED's

2 LED's: green = Power, yellow = Switching output status

Sensors with connector
Ordering code endings S49

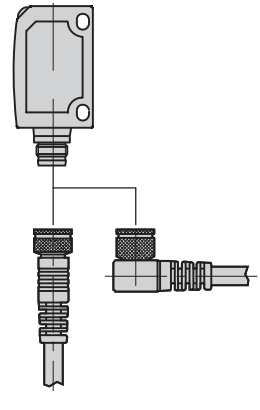
Connector with mounting thread
M8x1



BKS-S 41 BKS-S 40

Sensors with connector
Ordering code endings S75

Connector with mounting thread
M8x1



BKS-S 74 BKS-S 75

M8 Accessories

DC connectors, connectors for user assembly
M8 connection (S49, S75)

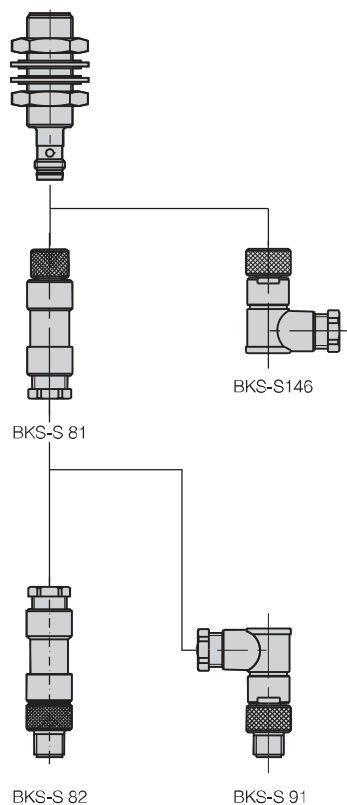
BKS-S 75 angle female	BKS-S 81-00 straight female	BKS-S146-00 angle female	BKS-S 82-00 straight male	BKS-S 91-00 angle male
Plug sensors S75	Plug sensors S49	Plug sensors S49	Female S49	Female S49
BKS-S 75-3-03 BKS-S 75-14-03*	BKS-S 81-00	BKS-S146-00	BKS-S 82-00	BKS-S 91-00
10...30 V DC 3 m molded-on PVC 4x0,34 mm ²	10...30 V DC for user assembly 3x max. 0,25 mm ² max. Ø 5 mm	10...30 V DC for user assembly 3x max. 0,25 mm ² max. Ø 5 mm	10...30 V DC for user assembly 3x max. 0,25 mm ² max. Ø 5 mm	10...30 V DC for user assembly 3x max. 0,25 mm ² max. Ø 5 mm
IP 67 -25...+90 °C	Solder IP 67 -40...+85 °C	Solder IP 67 -25...+100 °C**	Solder IP 67 -40...+85 °C	Solder IP 67 -40...+85 °C

*Shield up to the cable-connector body transition!

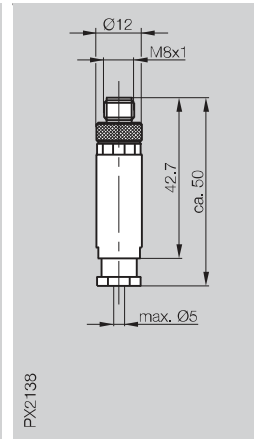
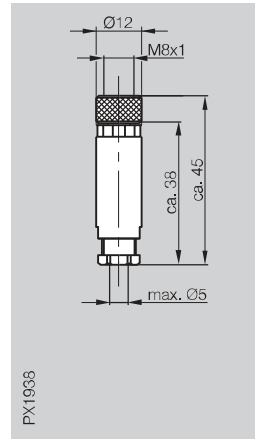
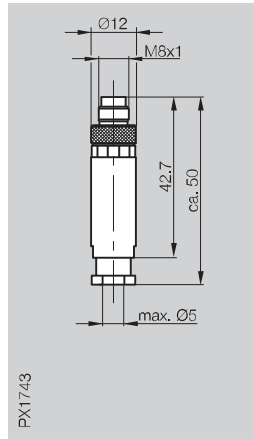
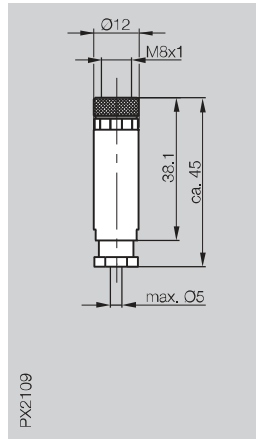
**120 °C (max. 100 h)

Sensors with connector
Ordering code endings S49

Connector for user assembly with thread M8x1



Connector	BKS-S142-00	BKS-S141-00	BKS-S149-00	BKS-S150-00
Version	straight female	straight male	straight female	straight male
Application	Plug sensors S49	Female S49	Plug sensors S75	Female S75



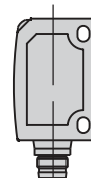
no LED, NC or NO	BKS-S142-00	BKS-S141-00	BKS-S149-00	BKS-S150-00
Supply voltage U_B	10...30 V DC	10...30 V DC	10...30 V DC	10...30 V DC
Cable for user assembly	3x0.14...0.5 mm ²	3x0.14...0.5 mm ²	4x0.14...0.5 mm ²	4x0.14...0.5 mm ²
No. of wires x cross-section	3x0.14...0.5 mm ²	3x0.14...0.5 mm ²	4x0.14...0.5 mm ²	4x0.14...0.5 mm ²
Cable diameter min.	max. Ø 5 mm	max. Ø 5 mm	max. Ø 5 mm	max. Ø 5 mm
Connection	Screw terminal	Screw terminal	Screw terminal	Screw terminal
Degree of protection per IEC 60529	IP 67	IP 67	IP 67	IP 67
Ambient temperature range T_a	-40...+85 °C	-40...+85 °C	-40...+85 °C	-40...+85 °C

View of female/male side				
--------------------------	--	--	--	--

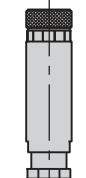
Sensors with connector
Ordering code endings S49



Sensors with connector
Ordering code endings S75

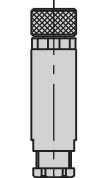


Connector for user assembly with thread M8x1

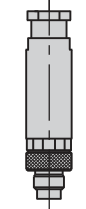


BKS-S142

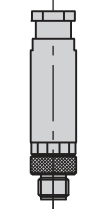
Connector for user assembly with thread M8x1



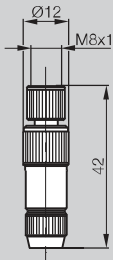
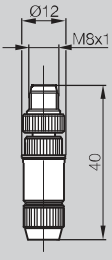
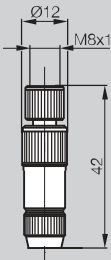
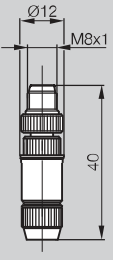
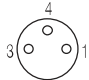

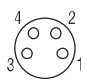

BKS-S149



BKS-S141



BKS-S150

BKS-S111-RT13 straight female	BKS-S113-RT13 straight male	BKS-S216-RT14 straight female	BKS-S218-RT14 straight male
Plug sensors S49	Female S49	Plug sensor S75	Female S75
 <p>Ø12 M8x1 42</p> <p>PX2093 Quick-connect system</p>	 <p>Ø12 M8x1 40</p> <p>PX2094 Quick-connect system</p>	 <p>Ø12 M8x1 42</p> <p>PX2093 Quick-connect system</p>	 <p>Ø12 M8x1 40</p> <p>PX2094 Quick-connect system</p>
BKS-S111-RT13	BKS-S113-RT13	BKS-S216-RT14	BKS-S218-RT14
<p>10...30 V DC for user assembly 3x0,14...0,34 mm² Ø 3,2...5,4 mm Insulation displacement IDC IP 67 -25...+85 °C*</p> 	<p>10...30 V DC for user assembly 3x0,14...0,34 mm² Ø 3,2...5,4 mm Insulation displacement IDC IP 67 -25...+85 °C*</p> 	<p>10...30 V DC for user assembly 4x0,14...0,34 mm² Ø 3,2...5,4 mm Insulation displacement IDC IP 67 -25...+85 °C*</p> 	<p>10...30 V DC for user assembly 4x0,14...0,34 mm² Ø 3,2...5,4 mm Insulation displacement IDC IP 67 -25...+85 °C*</p> 

*Assembling the cable to the connector over temperature range -5...+50 °C

Sensors with connector
Ordering code endings S49



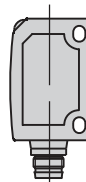
Connector for user assembly with thread M8x1

BKS-S111-RT13



BKS-S113-RT13

Sensors with connector
Ordering code endings S75



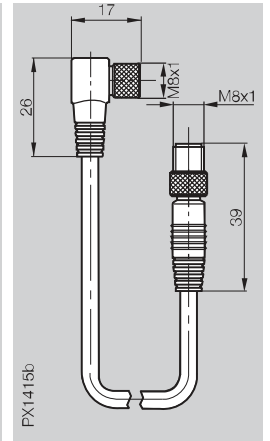
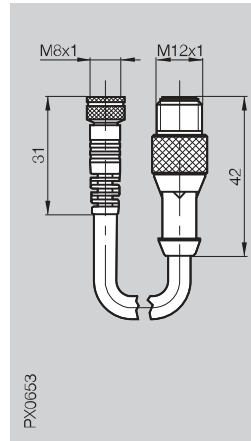
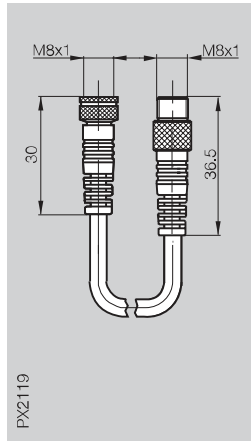
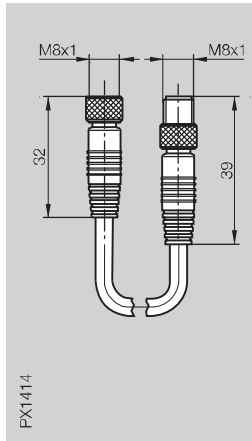
Connector for user assembly with thread M8x1

BKS-S216-RT14



BKS-S218-RT14

Connection cable	BKS-B 48-1/GS49	BKS-S 48-1/GS49	BKS-S 48-1/GS4	BKS-B 49-1/GS49
Version	straight female/ straight male	straight female/ straight male	straight female/ straight male	angle female/ straight male
Application	Plug sensors S49	Plug sensors S49	Plug sensors S49	Plug sensors S49



no LED, NO			BKS-S 48-1/GS4-PU-01	
no LED, NC or NO	BKS-B 48-1/GS49-PU-01	BKS-S 48-1/GS49-PU-01		BKS-B 49-1/GS49-PU-01
with LED, NO				
no LED, 3 pins				
no LED, 4 pins				

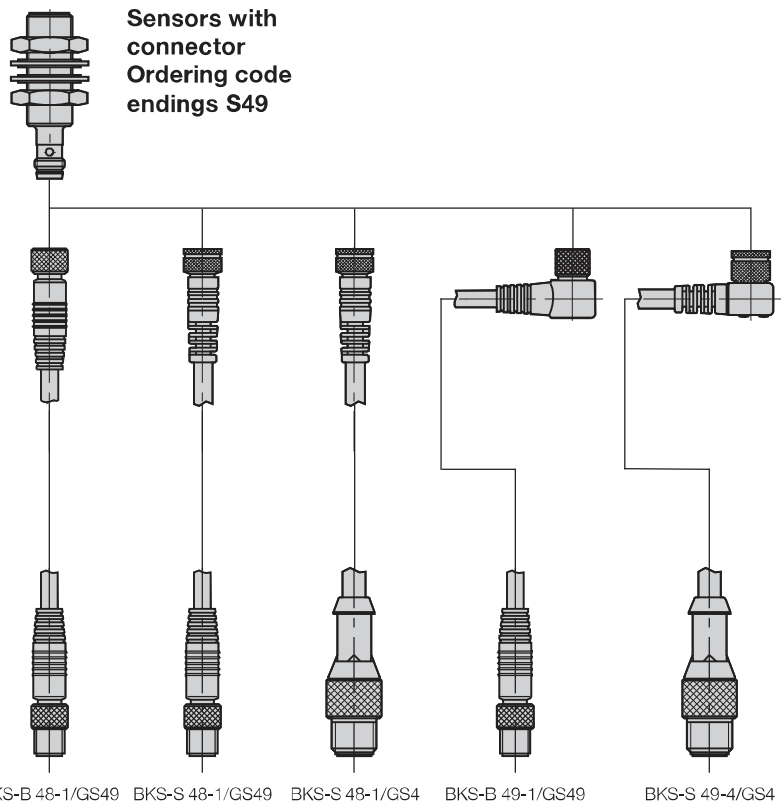
Supply voltage U_B	10...30 V DC	10...30 V DC	10...30 V DC	10...30 V DC
Cable	1 m molded-on PUR	1 m molded-on PUR	1 m molded-on PUR	1 m molded-on PUR
No. of wires x cross-section	3x0,25 mm ²	3x0,34 mm ²	3x0,34 mm ²	3x0,25 mm ²
Degree of protection per IEC 60529	IP 67	IP 67	IP 67	IP 67
Ambient temperature range T_a	-25...+85 °C	-25...+80 °C	-25...+90 °C	-40...+85 °C

View of female/male side				
--------------------------	--	--	--	--

Other cable lengths and cable qualities on request.

Ordering example

PUR, length 1 m = BKS-S 48-1/GS49-PU-01



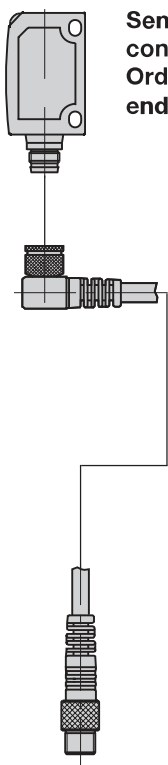
Sensors with connector
Ordering code
endings S49

Connection cable with mounting thread
M8x1/M8x1
or M8x1/M12x1

BKS-B 48-1/GS49 BKS-S 48-1/GS49 BKS-S 48-1/GS4 BKS-B 49-1/GS49 BKS-S 49-4/GS4

BKS-S 49-4/GS49 angle female/ straight male Plug sensors S49	BKS-S 49-4/GS4 angle female/ straight male Plug sensors S49	BKS-S 75-1/GS49 angle female/ straight male Plug sensors S75	BKS-S 75-3/GS4 angle female/ straight male Plug sensors S75	BKS-S 74-1/GS49 straight female/ straight male Plug sensors S75
BKS-S 49-4/GS49-PU-01	BKS-S 49-4/GS4-PU-01	BKS-S 75-1/GS49-PU-00,1	BKS-S 75-3/GS4-PU-00,5	BKS-S 74-1/GS49-PU-01
10...30 V DC 1 m molded-on PUR 3x0,34 mm ² IP 67 -25...+80 °C	10...30 V DC 1 m molded-on PUR 3x0,34 mm ² IP 67 -25...+90 °C	10...30 V DC 0,1 m molded-on PUR 3x0,34 mm ² IP 67 -25...+80 °C	10...30 V DC 0,5m molded-on PUR 4x0,34 mm ² IP 67 -25...+80 °C	10...30 V DC 1 m molded-on PUR 4x0,34 mm ² IP 67 -25...+80 °C

Sensors with connector
Ordering code
endings S75



BKS-S 75-1/GS49

Function and color of the LED's

2 LED's: green = Power, yellow = Switching output status

The first quick-connect system requiring no changes on the sensor side!

There is a whole range of quick-connect systems for M12 connectors on the market, but they all have the same problem. To truly make use of the benefits of the system, you have to make changes to the mating piece. Different systems mean different mating pieces, since the systems are of course not compatible with each other. This makes things difficult for the customer and his applications.

The new MQ12 eliminates this problem completely. MQ12 can be used for any commonly available M12 sensor, no ifs, buts or maybes!

Simply plug it in and fix with a quarter turn – that's it! This means the system can be

directly inserted in existing applications and is a 1:1 replacement for today's standard cables. The MQ12 is advantageous especially in applications for warehousing, assembly and conveying, where large numbers of sensors are used.

By reducing the connection time by up to 80%, the time expenditure for the overall installation is drastically reduced.

Technical benefits

- High shock and vibration resistance
- Degree of protection IP 67
- Available for various cable materials (PUR, PVC)

Connector	
Version	

Application	
-------------	--

no LED,	NO	
no LED,	complementary	
with LED,	NO	
with LED,	complementary	

Supply voltage U_B	
Cable	
No. of wires x cross-section	
Degree of protection per IEC 60529	
Ambient temperature range T_a	

View of female side	
---------------------	--

Other cable lengths and cable qualities on request.

Ordering example

PUR, length 1 m = BKS-S212-1/S214-PU-01
PUR, length 2 m = BKS-S213-3-PU-02



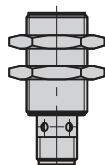
Quick-Connect System MQ12 Accessories

DC connectors,
DC connection cables
MQ12 connection (S4)

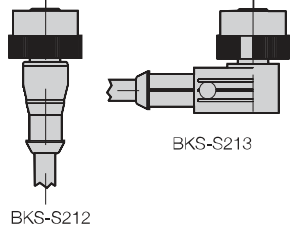
BKS-S212 straight female	BKS-S213 angle female	BKS-S212-_/S214 straight female/ straight male	BKS-S213-_/S214 angle female/ straight male
Plug sensors S4	Plug sensors S4	Plug sensors S4	Plug sensors S4
BKS-S212-1-PU-02	BKS-S213-1-PU-02	BKS-S212-1/S214-PU-01	BKS-S213-3/S214-PU-01
BKS-S212-3-PU-02	BKS-S213-3-PU-02	BKS-S212-3/S214-PU-01	BKS-S213-4/S214-PU-01
			BKS-S213-8/S214-PU-01
max. 250 V AC/DC	max. 250 V AC/DC	10...30 V DC	10...30 V DC
2 m molded-on PUR	2 m molded-on PUR	1 m molded-on PUR	1 m molded-on PUR
3x0,34 mm ² /4x0,25 mm ²	3x0,34 mm ² /4x0,25 mm ²	3x0,34 mm ²	3x0,34 mm ² /4x0,25 mm ²
IP 65/IP 67*	IP 65/IP 67*	IP 65/IP 67*	IP 65/IP 67*
-20...+80 °C	-20...+80 °C	-20...+80 °C	-20...+80 °C

*when plugged together/locked

Sensors with connector
Ordering code endings S4



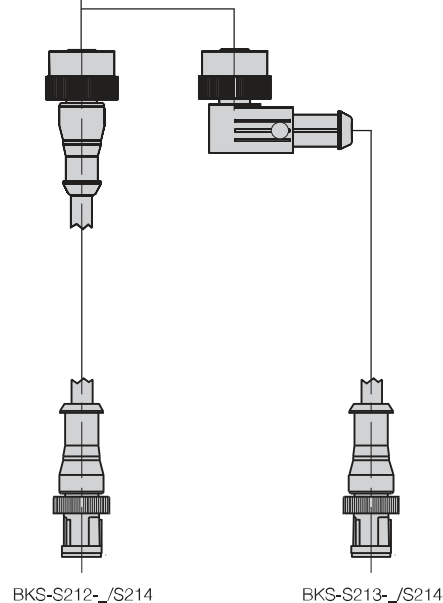
Connector with mounting thread M12x1



Sensors with connector
Ordering code endings S4



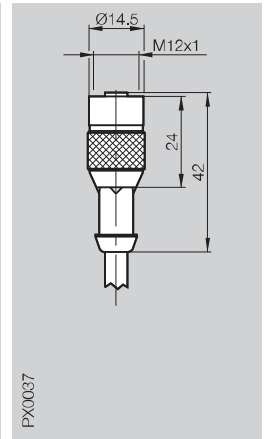
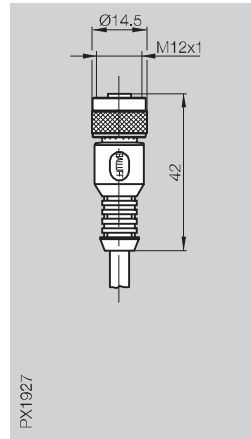
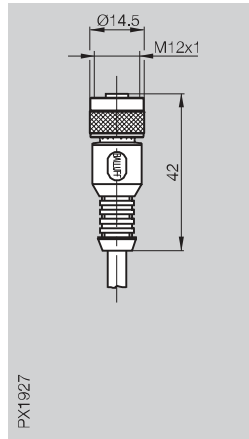
Connection cable with mounting thread M12x1/M12x1



5

Connectors
Splitter boxes with accessories
Electrical devices
Fasteners
Tools

Connector	BKS-B 19	BKS-B 19	BKS-S 19
Version	straight female	straight female	straight female
Application	Plug sensors S4	Plug sensors S4	Plug sensors S4



no LED, NO	BKS-B 19-1-03	BKS-B 19-1-PU2-03	BKS-S 19-1-PU-03
no LED, NC			
no LED, complementary	BKS-B 19-3-05		BKS-S 19-3-PU-03
with 2 LED's, NO, PNP	BKS-B 19-4-05		BKS-S 19-4-PU-03
with 2 LED's, NC, PNP			
with 2 LED's, NO, NPN			
with 2 LED's, NC, NPN			
with 2 LED's, complementary PNP			BKS-S 19-8-PU-03
with 2 LED's, complementary NPN			BKS-S 19-9-PU-03
with 3 LED's, complementary PNP			
no LED, NO, 2-pin, non-polarized			BKS-S 19-11-PU-03
no LED, NC, 2-pin, polarized/non-polarized			BKS-S 19-12-PU-05
no LED, NO, 2 pins, polarized			BKS-S 19-13-PU-05
no LED, complementary shielded			BKS-S 19-14-PU-05*

Supply voltage U_B	10...30 V DC	10...55 V DC	10...30 V DC
Cable	3 m/5 m molded-on PVC	3 m molded-on PUR	3 m/5 m molded-on PUR
No. of wires x cross-section	3x0,34 mm ² /4x0,25 mm ²	3x0,34 mm ²	3x0,34 mm ² /4x0,34 mm ²
Degree of protection per IEC 60529	IP 67	IP 67	IP 68 per BWN Pr. 20
Ambient temperature range T_a	-25...+85 °C	-25...+120 °C	-25...+70 °C

View of female side			
---------------------	--	--	--

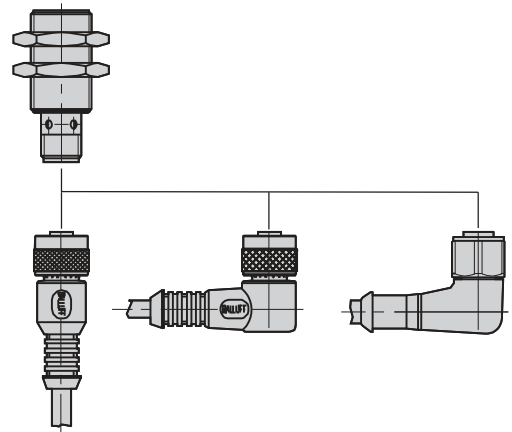
Other cable lengths and cable qualities on request.

Ordering examples

PVC, length 3 m = BKS-B 19-1-03
PUR, length 3 m = BKS-S 20-1-PU-03

Sensors with connector
Ordering code endings S4

Connector with mounting thread
M12x1



BKS-B 19/
BKS-S 19

BKS-B 20/
BKS-S 20

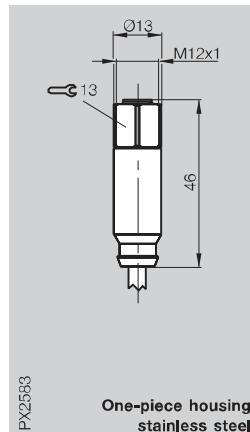
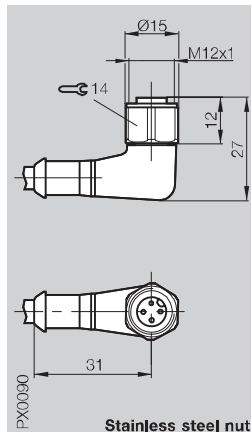
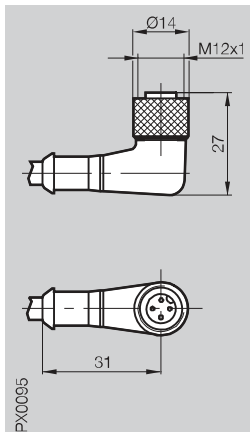
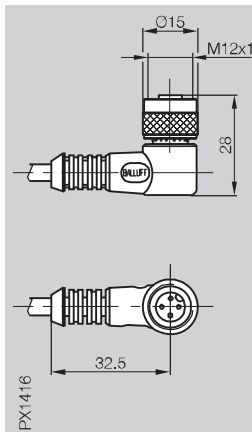
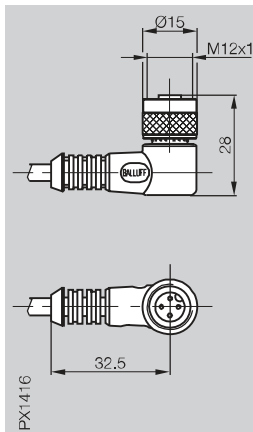
BKS-S 20E

*Shield through knurled ring!

M12 Accessories

DC connectors
M12 connection (S4)

BKS-B 20 angle female	BKS-B 20 angle female	BKS-S 20 angle female	BKS-S 20E angle female	BKS-S260-3-02 straight female
Plug sensors S4	Plug sensors S4	Plug sensors S4	Plug sensors S4	Plug sensors S4



BKS-B 20-1-03	BKS-B 20-1-PU2-03	BKS-S 20-1-PU-03		
		BKS-S 20-2-PU-05		
		BKS-S 20-3-PU-03		BKS-S260-3-02
BKS-B 20-4-03		BKS-S 20-4-PU-03	BKS-S 20E-4-PU-03	
		BKS-S 20-5-PU-03		
		BKS-S 20-6-PU-03		
BKS-B 20-8-PU-03		BKS-S 20-7-PU-05		
		BKS-S 20-8-PU-03	BKS-S 20E-8-PU-03	
		BKS-S 20-9-PU-05		
		BKS-S 20-10-PU-05		
		BKS-S 20-11-PU-03		
		BKS-S 20-12-PU-05		
		BKS-S 20-13-PU-05		

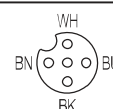
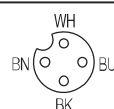
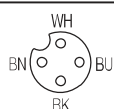
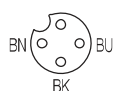
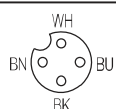
10...30 V DC
3 m molded-on PVC/PUR
3x0,34 mm ² /4x0,25 mm ²
IP 67
-25...+85 °C

10...55 V DC
3 m molded-on PUR
3x0,34 mm ²
IP 67
-25...+120 °C

10...30 V DC
3 m/5 m molded-on PUR
3x0,34 mm ² /4x0,34 mm ²
IP 68 per BWN Pr. 20
-25...+70 °C

10...30 V DC
3 m molded-on PUR
3x0,34 mm ² /4x0,34 mm ²
IP 68 per BWN Pr. 20
-25...+90 °C

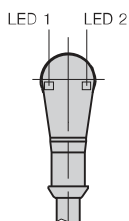
10...30 V DC
2 m molded-on PVC
4x0,34 mm ²
IP 68/IP 69K*
-40...+85 °C**



*when plugged together/locked

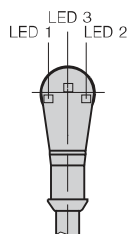
**short-time 105 °C

Connectors with 2 LED's

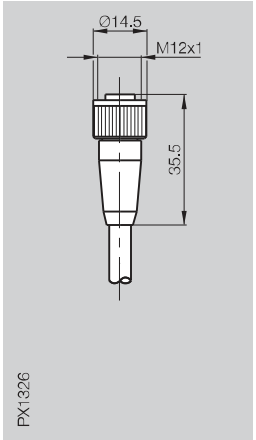
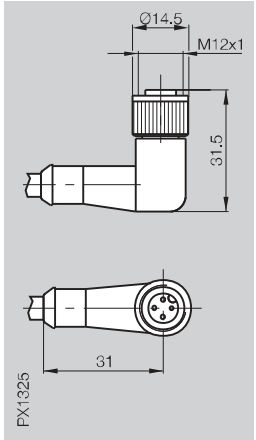
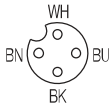
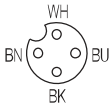


Color and function:
LED 1: yellow (NO)
LED 2: green (Power)

with 3 LED's



Color and function:
LED 1: yellow (NO)
LED 2: green (Power)
LED 3: white (NC)

Connector Version	BKS-S 23 straight female	BKS-S 24 angle female			
Application	Plug sensors S4	Plug sensors S4			
					
no LED, NO	BKS-S 23-1-05				
no LED, complementary	BKS-S 23-3-05	BKS-S 24-3-03			
no LED, 5 pins					
no LED, 8-pin shielded					
Supply voltage U _B	10...30 V DC	10...30 V DC			
Cable	5 m molded-on PVC	3 m molded-on PVC			
No. of wires x cross-section	3x0,34 mm ² /4x0,25 mm ²	3x0,34 mm ² /4x0,25 mm ²			
Degree of protection per IEC 60529	IP 67	IP 67			
Ambient temperature range T _a	-40...+105 °C	-40...+105 °C			
View of female side					

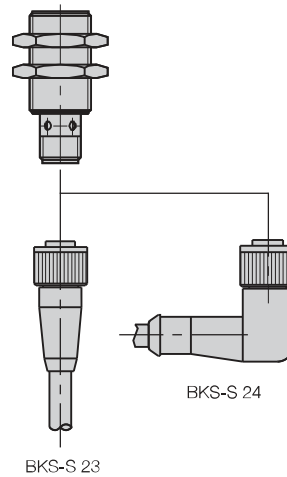
Other cable lengths and cable qualities on request.

Ordering examples

PVC, length 3 m = BKS-S 23-1-03
PUR, length 3 m = BKS-S139-PU-03

Sensors with connector
Ordering code endings S4

Connector with mounting thread
M12x1



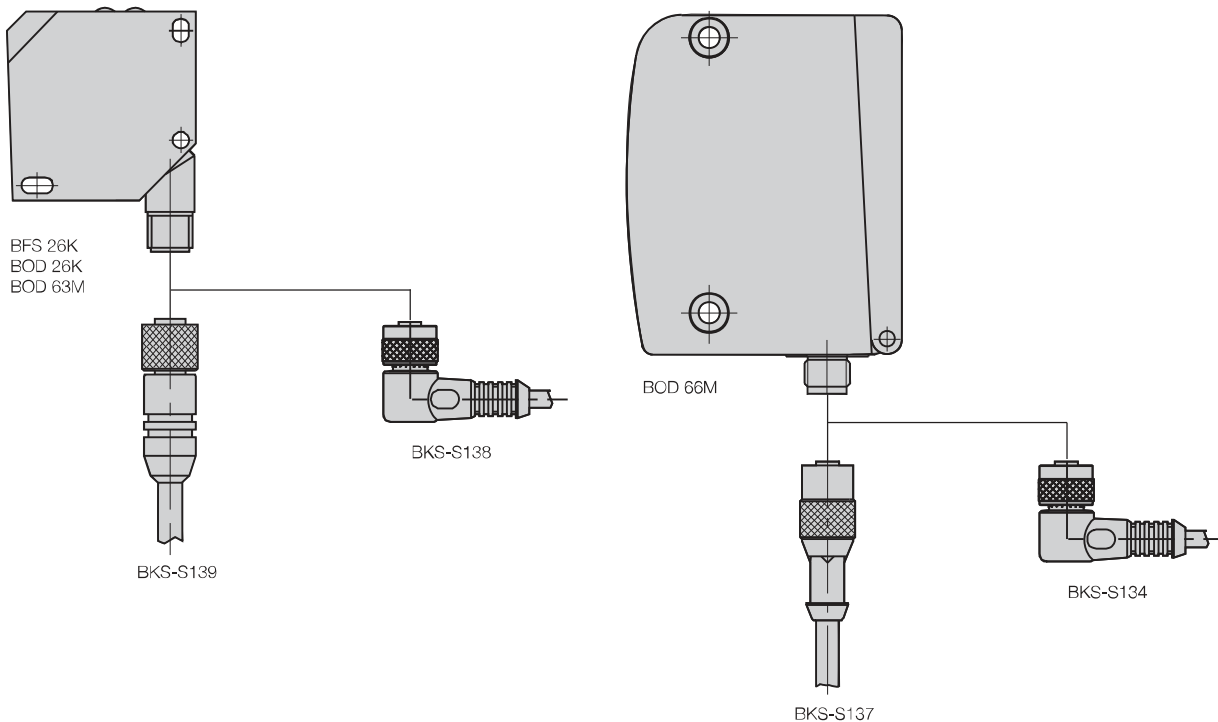
M12 Accessories

DC connectors
M12 connection

BKS-S134 angle female	BKS-S137 straight female	BKS-S139 straight female	BKS-S138 angle female	
Plug sensors S92	Plug sensors S92	Plug sensors S115	Plug sensors S115	
BKS-S134-17-05	BKS-S137-17-PU-05	BKS-S139-PU-05*	BKS-S138-PU-05**	
10...30 V DC	10...30 V DC	10...30 V DC	30 V AC/36 V DC	
5 m molded-on PVC	5 m molded-on PUR	5 m molded-on PUR	5 m molded-on PUR	
5x0,25 mm ²	5x0,25 mm ²	8x0,25 mm ²	8x0,25 mm ²	
IP 67	IP 67	IP 67	IP 67	
-25...+85 °C	-25...+85 °C	-25...+90 °C	-25...+80 °C	

*Shield through knurled ring!

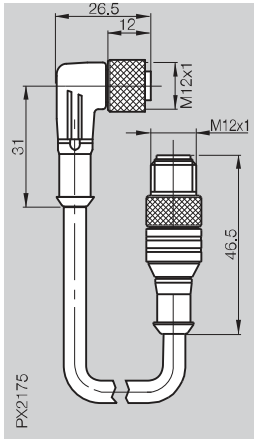
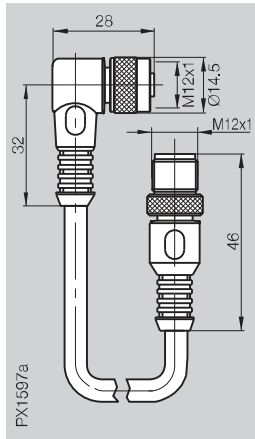
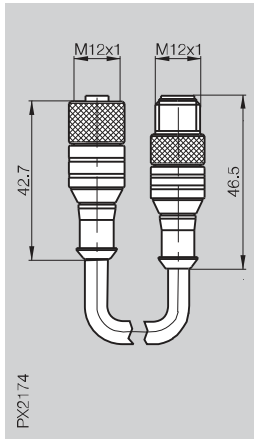
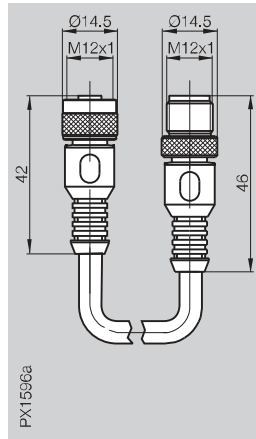
**Shield up to the cable-connector body transition!



5

Connectors
Splitter boxes with accessories
Electrical devices
Fasteners
Tools

Connection cable	BKS-B 19-_/GS4	BKS-S 19-_/GS4	BKS-B 20-_/GS4	BKS-S 20-_/GS4
Version	straight female/ straight male	straight female/ straight male	right-angle female/ straight male	right-angle female/ straight male
Application	Plug sensors S4	Plug sensors S4	Plug sensors S4	Plug sensors S4



no LED, NO	BKS-B 19-1/GS4-PU-01	BKS-S 19-1/GS4-PU-01	BKS-B 20-3/GS4-PU-01	BKS-S 20-3/GS4-PU-01
no LED, complementary	BKS-B 19-3/GS4-PU-01	BKS-S 19-3/GS4-PU-01	BKS-B 20-4/GS4-PU-01	BKS-S 20-4/GS4-PU-01
with LED, NO, PNP				
Supply voltage U _B	10...30 V DC	10...30 V DC	10...30 V DC	10...30 V DC
Cable	1 m molded-on PUR	1 m molded-on PUR	1 m molded-on PUR	1 m molded-on PUR
No. of wires x cross-section	3x0,34 mm ² /4x0,25 mm ²	3x0,34 mm ² /4x0,25 mm ²	3x0,34 mm ² /4x0,25 mm ²	3x0,34 mm ² /4x0,25 mm ²
Degree of protection per IEC 60529	IP 67	IP 68 per BWN Pr. 20	IP 67	IP 68 per BWN Pr. 20
Ambient temperature range T _a	-25...+85 °C	-25...+90 °C	-25...+85 °C	-25...+80 °C
View of female/male side				

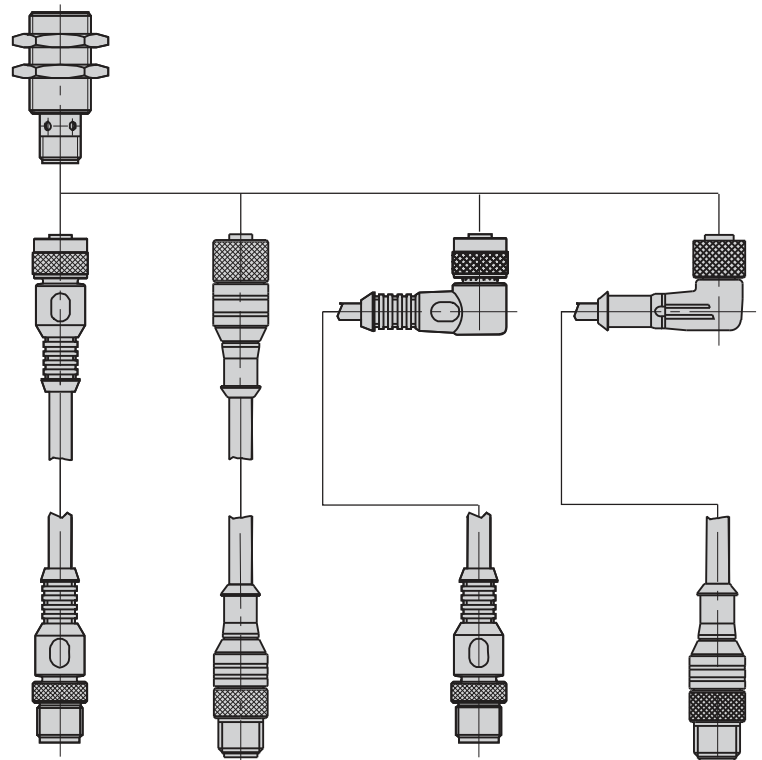
Other cable lengths and cable qualities on request.

Ordering example

PUR, length 1 m = BKS-S 20-3/GS4-PU-01

Sensors with connector
Ordering code endings S4

Connection cable with mounting thread
M12x1



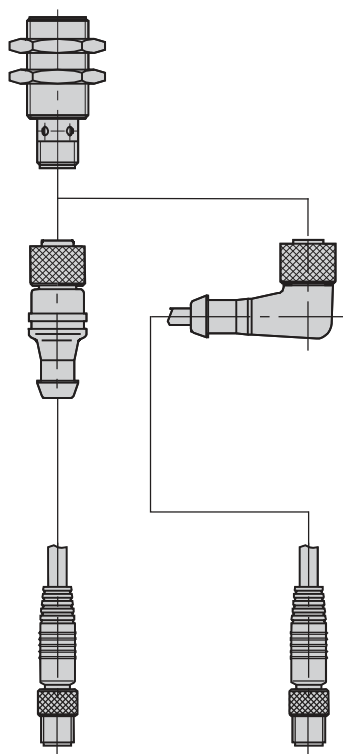
BKS-B 19-_/GS4

BKS-S 19-_/GS4

BKS-B 20-_/GS4

BKS-S 20-_/GS4

BKS-S 19-_/GS49 straight female/ straight male Plug sensors S4	BKS-S 20-_/GS49 right-angle female/ straight male Plug sensors S4			
BKS-S 19-4/GS49-PU-01	BKS-S 20-4/GS49-PU-01			
10...30 V DC	10...30 V DC			
1 m molded-on PUR	1 m molded-on PUR			
3×0,34 mm ²	3×0,34 mm ²			
IP 67	IP 67			
-25...+80 °C	-25...+80 °C			

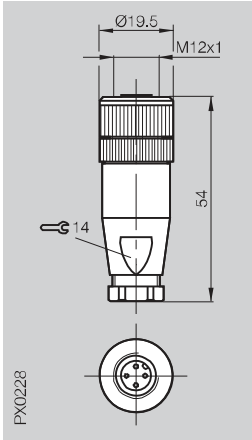
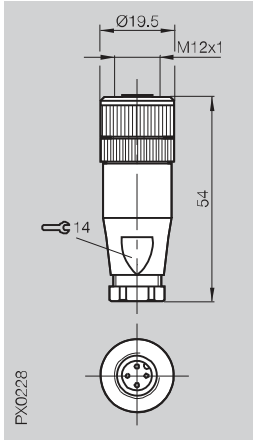
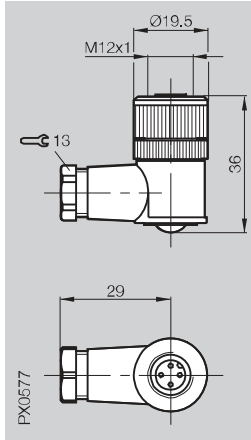
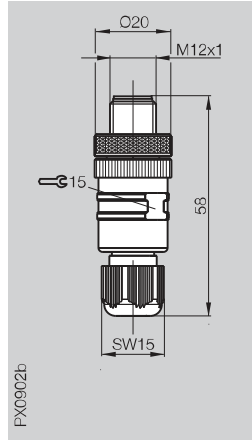
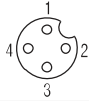
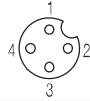
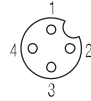



BKS-B 19-_/GS49

BKS-S 20-_/GS49

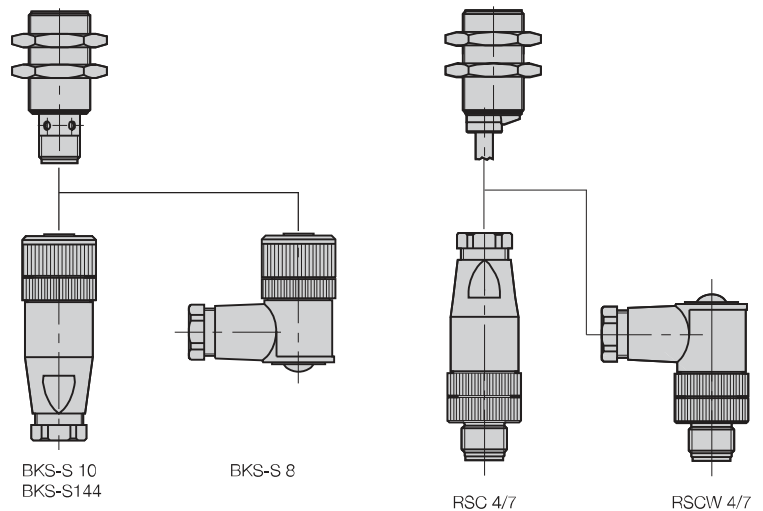
Function and color of the LED's

2 LED's: green = Power, yellow = Switching output status

Connector Version	BKS-S 10 straight female	BKS-S144-00 straight female	BKS-S 8 angle female	RSC 4/7 straight male
Application	Plug sensors S4	Plug sensors S4	Plug sensors S4	female S4
				
no LED, complementary	BKS-S 10-3	BKS-S144-00	BKS-S 8-3	RSC 4/7
with LED, NO, PNP	BKS-S 10-4		BKS-S 8-4	
with LED, NO, NPN	BKS-S 10-6		BKS-S 8-6	
Supply voltage U _B	10...30 V DC	10...30 V DC	10...30 V DC	10...30 V DC
Cable	for user assembly	for user assembly	for user assembly	for user assembly
No. of wires x cross-section	3/4x max. 0,75 mm ²	3/4x max. 0,75 mm ²	3/4x max. 0,75 mm ²	3/4x max. 0,75 mm ²
Cable diameter min.	Ø 4...6 mm	Ø 4...6 mm	Ø 4...6 mm	Ø 4...6 mm
Connection	Screw terminals	Screw terminals	Screw terminals	Screw terminals
Degree of protection per IEC 60529	IP 67	IP 68, 1 m, 30 days	IP 67	IP 67
Ambient temperature range T _a	-40...+85 °C	-25...+100 °C	-40...+85 °C	-25...+90 °C
View of female/male side				

Sensors with connector
Ordering code endings S4
or sensors with cable

Connector for user assembly
with connecting thread M12x1



M12 Accessories

DC connectors
for user assembly
M12 connection (S4)

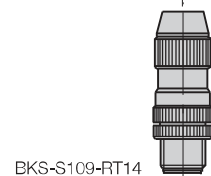
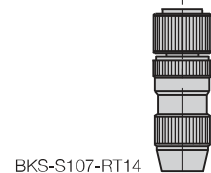
	RSCW 4/7 angle male	RSC 5/7 straight male	RSCW 5/7 angle male	BKS-S107-RT14 straight female	BKS-S109-RT14 straight male
	female S4	female S4	female S4	Plug sensors S4	female S4
	RSCW 4/7	RSC 5/7	RSCW 5/7	BKS-S107-RT14	BKS-S109-RT14
	10...30 V DC for user assembly 3/4× max. 0.75 mm ² Ø 4...6 mm Screw terminals IP 67 -25...+90 °C	10...30 V DC for user assembly 5× max. 0.75 mm ² Ø 3...6.5 mm Screw terminals IP 67 -25...+90 °C	10...30 V DC for user assembly 5× max. 0.75 mm ² Ø 3...6.5 mm Screw terminals IP 67 -25...+90 °C	10...30 V DC for user assembly 3/4× 0.14...0.34 mm ² Ø 4...5.1 mm Insulation displacement IDC IP 67 -25...+85 °C*	10...30 V DC for user assembly 3/4× 0.14...0.34 mm ² Ø 4...5.1 mm Insulation displacement IDC IP 67 -25...+85 °C*

*Assembling the cable to the connector over temperature range -5...+50 °C

Sensors with connector
Ordering code endings S4

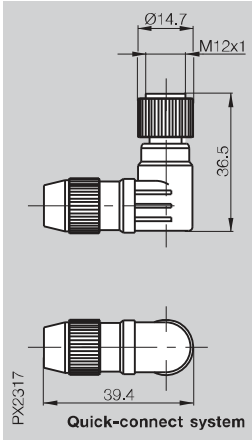
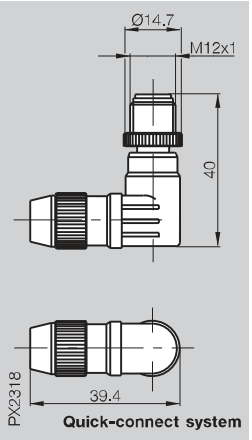
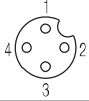
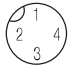


Connectors for user assembly with connecting thread M12×1



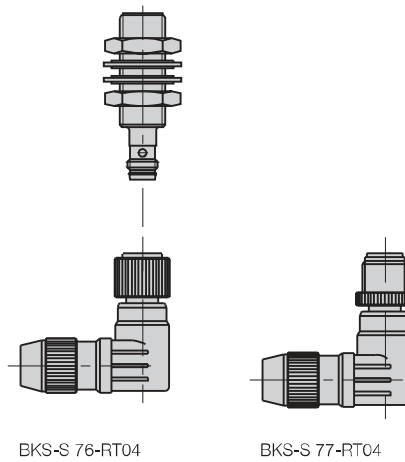
5

Connectors
Splitter boxes with accessories
Electrical devices
Fasteners
Tools

Connector	BKS-S 76-RT04	BKS-S 77-RT04			
Version	angle female	angle male			
Application	Plug sensors S4	female S4			
					
no LED, complementary	BKS-S 76-RT04	BKS-S 77-RT04			
Supply voltage U_B	10...30 V DC	10...30 V DC			
Cable	for user assembly	for user assembly			
No. of wires x cross-section	3/4 x 0.25...0.5 mm ²	3/4 x 0.25...0.5 mm ²			
Cable diameter min.	Ø 4...5.1 mm	Ø 4...5.1 mm			
Connection	Insulation displacement	Insulation displacement			
Degree of protection per IEC 60529	IDC	IDC			
Ambient temperature range T_a	IP 67	IP 67			
	-25...+85 °C	-25...+85 °C			
View of female/male side					

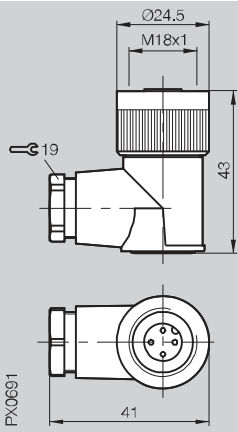
Sensors with connector
Ordering code endings S4

Connector for user assembly with connecting thread M12x1



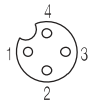
BKS-S 7-1
angle female

BES 516-300-S203

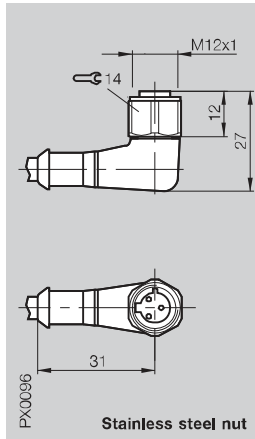
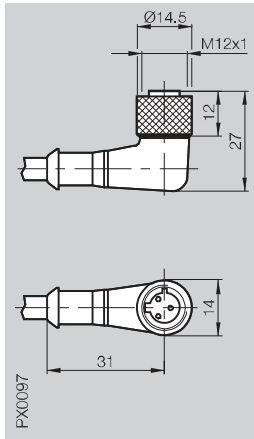
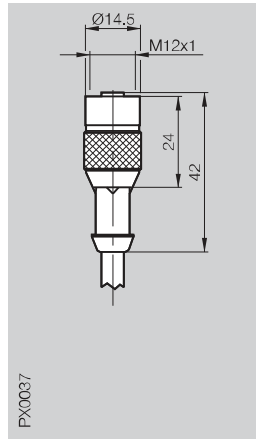


BKS-S 7-1

10...30 V DC
for user assembly
3/4x 0.5...0.75 mm²
Ø 6.5...8 mm
Screw terminals
IP 65
-40...+85 °C



Connector	BKS-S 27	BKS-S 28	BKS-S 28E		
Version	straight female	angle female	angle female		
Application	Plug sensors S27	Plug sensors S27	Plug sensors S27		



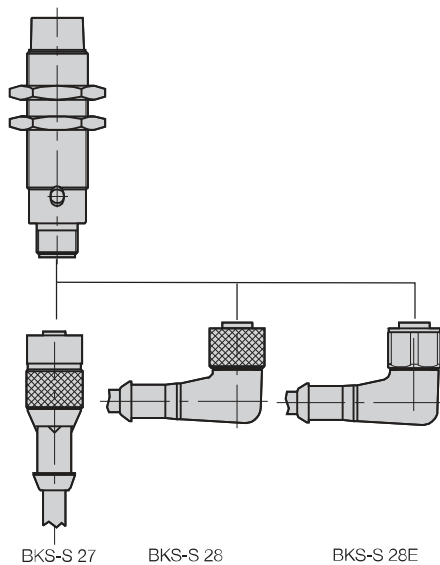
no LED, NC or NO	BKS-S 27-03	BKS-S 28-03	BKS-S 28E-03		
Supply voltage U_B	20...250 V AC/DC	300 V AC	300 V AC		
Cable	3 m molded-on PVC	3 m molded-on PVC	3 m molded-on PVC		
No. of wires x cross-section	3x0,5 mm ²	3x0,5 mm ²	3x0,5 mm ²		
Cable diameter					
Degree of protection per IEC 60529	IP 68 per BWN Pr. 20	IP 68 per BWN Pr. 20	IP 68 per BWN Pr. 20		
Ambient temperature range T_a	-25...+90 °C	-25...+90 °C	-25...+90 °C		
View of female side					

Other cable lengths and cable qualities on request.

Ordering example

PVC, length 3 m = BKS-S 27-03

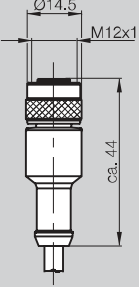
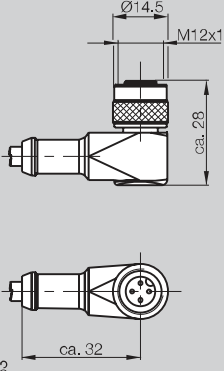
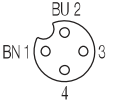
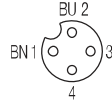
**Sensors with connector
Ordering code endings S27**

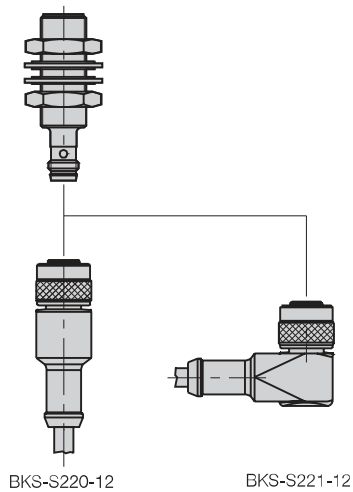


**Connectors with
M12x1 thread**

M12, DC 2-wire Accessories

DC connectors
M12 connection (S220)

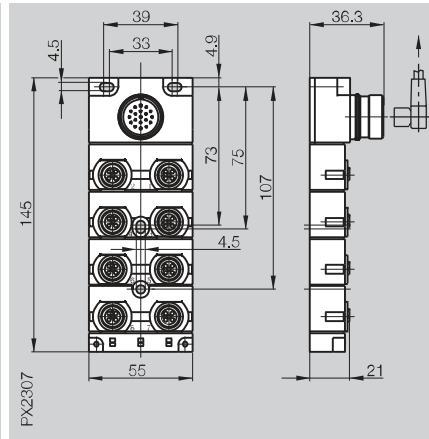
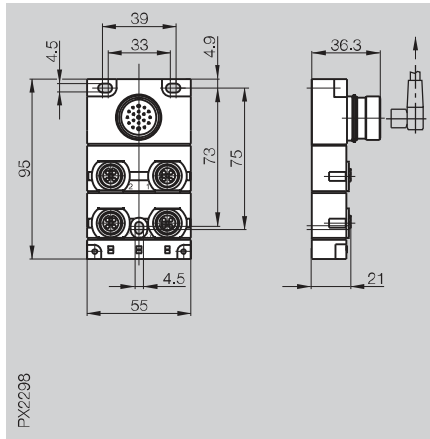
BKS-S220-12 straight female Namur sensors Pinout EN 60947-5-6	BKS-S221-12 angle female Namur sensors Pinout EN 60947-5-6			
				
BKS-S220-12-PB-02	BKS-S221-12-PB-02			
10...30 V DC 2 m molded-on PUR 2x0,34 mm ² Ø 4,5...±0,2 mm	10...30 V DC 2 m molded-on PUR 2x0,34 mm ² Ø 4,5...±0,2 mm			
IP 68 -25...+80 °C	IP 68 -25...+80 °C			
				
Cable color blue	Cable color blue			



5

Connectors
 Splitter boxes
 with
 accessories
 Electrical
 devices
 Fasteners
 Tools

Splitter Boxes	BSB-04-F01P/4-...	BSB-04-F01P/8-...
Version	4x connectors	8x connectors



Ordering code	BSB-04-F01P/4-M01M-2319	BSB-04-F01P/8-M01M-2319
Rated operational voltage U_e	24 V DC	24 V DC
Supply voltage U_B	18...30 V DC	18...30 V DC
Function indicator	LED yellow	LED yellow
Power-on indicator	LED green	LED green
Sensor connection	5-pole female, M12x1	5-pole female, M12x1
Control side connection	M23 connector, 19-pin	M23 connector, 19-pin
Number of connections	4	8
Current load capacity	max. 4 A per contact	max. 4 A per contact
Total current	max. 12 A at +60 °C	max. 12 A at +60 °C
Housing material	GD-Zn	GD-Zn
Degree of protection per IEC 60529	IP 67 (when connected)	IP 67 (when connected)
Ambient temperature range T_a	-25...+90 °C	-25...+90 °C
View of female/male side		

Other cable lengths and cable qualities on request.



We offer a wide variety of passive actuator/sensor boxes. These allow the user to collect signals in the field and pass them centrally to a controller or to pass signals from the controller to the actuators.

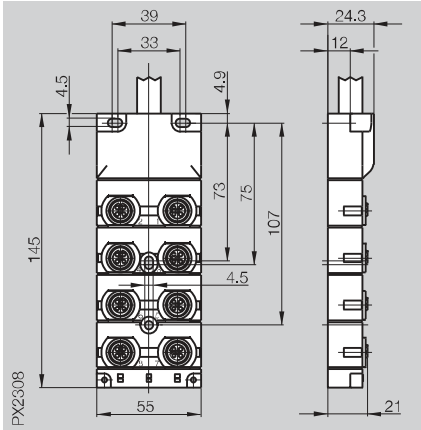
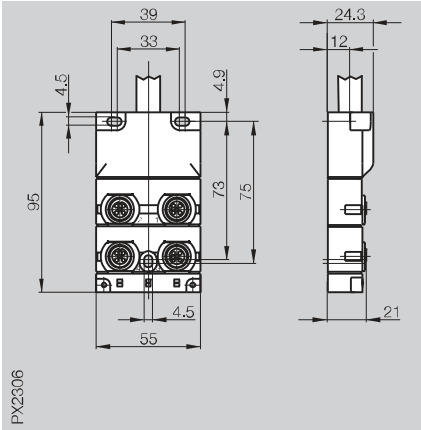
This enables organized and decentralized wiring of the peripherals. With their light, compact design, the M8 and M12 distribution boxes with up to 8 connections take up little room and are used in machines and systems where space is at a premium.

BSB-04-F01P/4-...

4x cable

BSB-04-F01P/8-...

8x cable



BSB-04-F01P/4-M02M-KP-05

24 V DC
18...30 V DC
LED yellow
LED green

5-pole female, M12x1
5 m molded-on PUR cable
8x0,5 mm² and 3x1 mm²

4
max. 4 A per contact
max. 12 A at +60 °C

GD-Zn
IP 67 (when connected)
-25...+90 °C



BSB-04-F01P/8-M02M-KP-05

24 V DC
18...30 V DC
LED yellow
LED green

5-pole female, M12x1
5 m molded-on PUR cable
16x0,5 mm² and 3x1 mm²

8
max. 4 A per contact
max. 12 A at +60 °C

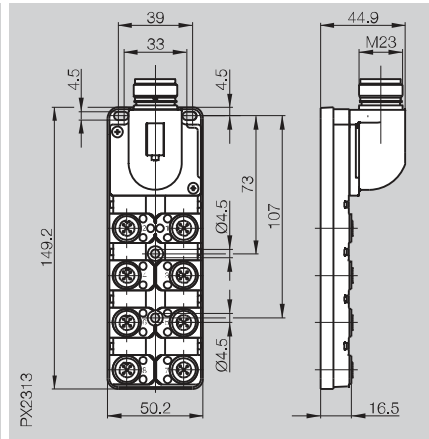
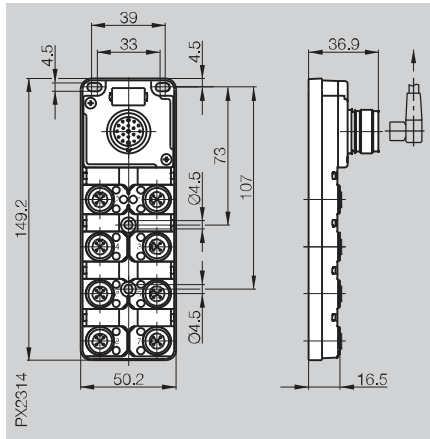
GD-Zn
IP 67 (when connected)
-25...+90 °C



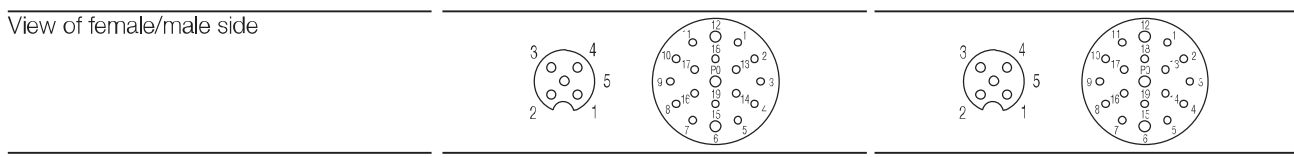
5

Connectors
Splitter boxes with accessories
Electrical devices
Fasteners
Tools

Splitter Boxes	BSB-04-F02P/8-...	BSB-04-F02P/8-...
Version	8x connectors	8x connectors



Ordering code	BSB-04-F02P/8-M01K-2319	BSB-04-F02P/8-M02K-2319
Rated operational voltage U_e	24 V DC	24 V DC
Supply voltage U_B	18...30 V DC	18...30 V DC
Function indicator	LED yellow	LED yellow
Power-on indicator	LED green	LED green
Sensor connection	5-pole female, M12x1	5-pole female, M12x1
Control side connection	M23 connector, 19-pin	M23 connector, 19-pin
Number of connections	8	8
Current load capacity	max. 4 A per contact	max. 4 A per contact
Total current	max. 16 A at +60 °C	max. 16 A at +60 °C
Potential isolation		
Housing material	PA 66	PA 66
Degree of protection per IEC 60529	IP 67 (when connected)	IP 67 (when connected)
Ambient temperature range T_a	-20...+80 °C	-20...+80 °C



Other cable lengths and cable qualities on request.

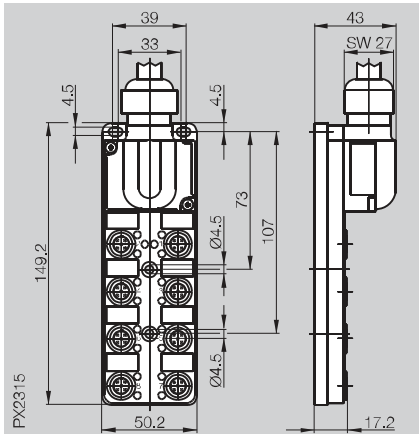
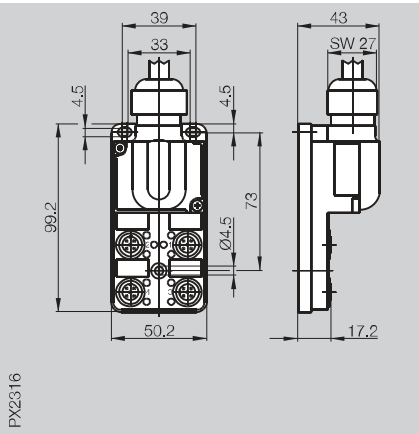


BSB-04-P01P/4-...

4x cable

BSB-04-P01P/8-...

8x cable



BSB-04-P01P/4-M02K-HKP-05

24 V DC
18...30 V DC
LED yellow
LED green
5-pole female, M12×1
5 m molded-on PUR cable
8x0,34 mm² and 5x0,75 mm²
4
max. 4 A per contact
max. 8 A with single power feed
max. 16 A with double power feed

Possible with removable jumper
PBT
IP 67 (when connected)
-20...+80 °C



BSB-04-P01P/8-M02K-HKP-05

24 V DC
18...30 V DC
LED yellow
LED green
5-pole female, M12×1
5 m molded-on PUR cable
16x0,34 mm² and 5x0,75 mm²
8
max. 4 A per contact
max. 8 A with single power feed
max. 16 A with double power feed

Possible with removable jumper
PBT
IP 67 (when connected)
-20...+80 °C



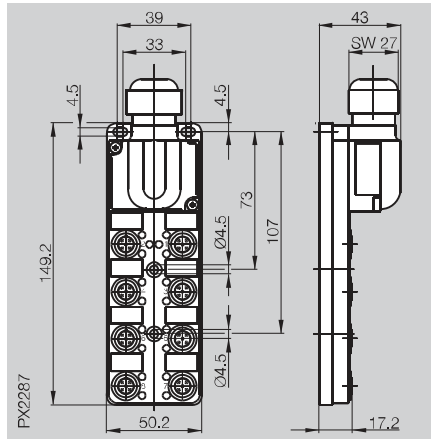
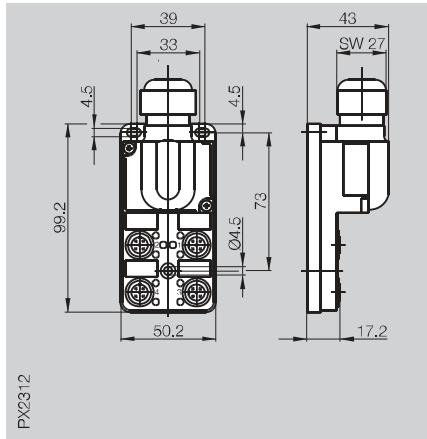
5

Connectors
Splitter boxes with accessories
Electrical devices
Fasteners
Tools

Splitter Boxes
Version

BSB-04-P01P/4-...
4x with cover (no connection)

BSB-04-P01P/8-...
3x with cover (no connection)

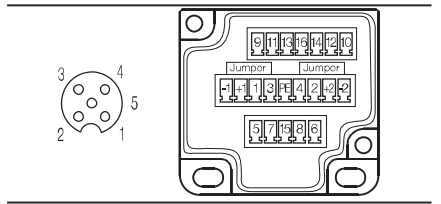
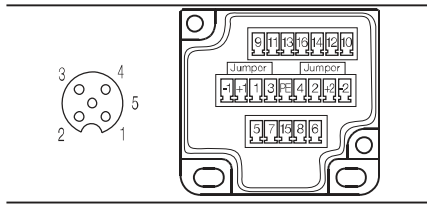


Ordering code
Rated operational voltage U_e
Supply voltage U_B
Function indicator
Power-on indicator
Sensor connection
Control side connection
Number of connections
Current load capacity
Total current
Potential isolation
Housing material
Degree of protection per IEC 60529
Ambient temperature range T_a

BSB-04-P01P/4-M02K-HTS
24 V DC
18...30 V DC
LED yellow
LED green
5-pole female, M12x1
Plug-in terminals
4
max. 4 A per contact
max. 8 A with single power feed
max. 16 A with double power feed
Possible with removable jumper
PBT
IP 67 (when connected)
-20...+80 °C

BSB-04-P01P/8-M02K-HTS
24 V DC
18...30 V DC
LED yellow
LED green
5-pole female, M12x1
Plug-in terminals
8
max. 4 A per contact
max. 8 A with single power feed
max. 16 A with double power feed
Possible with removable jumper
PBT
IP 67 (when connected)
-20...+80 °C

View of female/male side



Other cable lengths and cable qualities on request.



M8 Compact and light Accessories

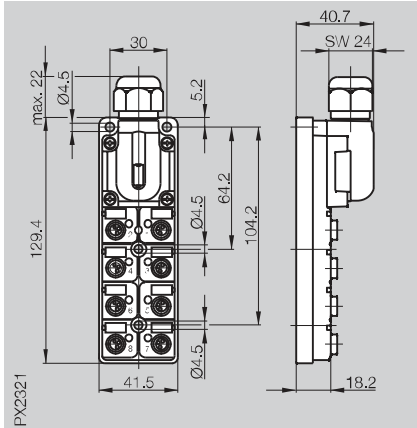
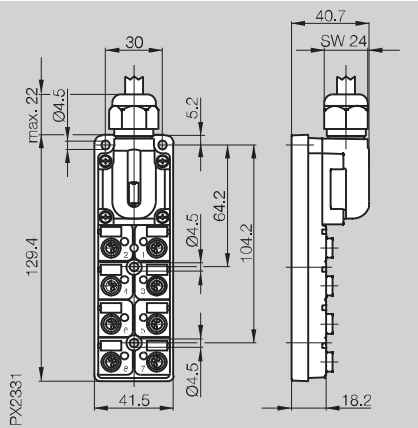
BSB Splitter Boxes
M8
Plastic

BSB-49-F01P/8-...

8x cable

BSB-49-F01P/8-...

8x with cover (no connection)



BSB-49-F01P/8-M02K-KP-05

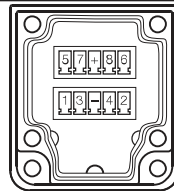
24 V DC
18...30 V DC
LED yellow
LED green
3-pole female, M8x1
5 m molded-on PUR cable
8x0,34 mm² and 2x0,75 mm²
8
max. 2 A per contact
max. 6 A

BSB-49-F01P/8-M02K-HTS

24 V DC
18...30 V DC
LED yellow
LED green
3-pole female, M8x1
Plug-in terminals
8
max. 2 A per contact
max. 6 A

PBT
IP 67 (when connected)
-25...+85 °C

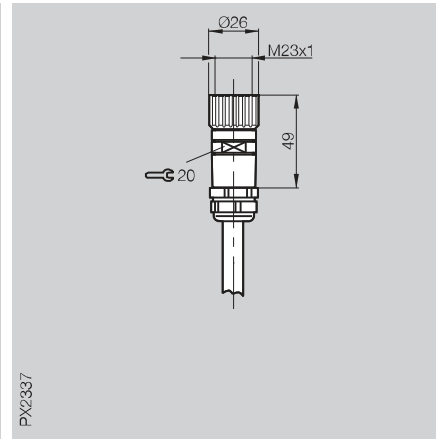
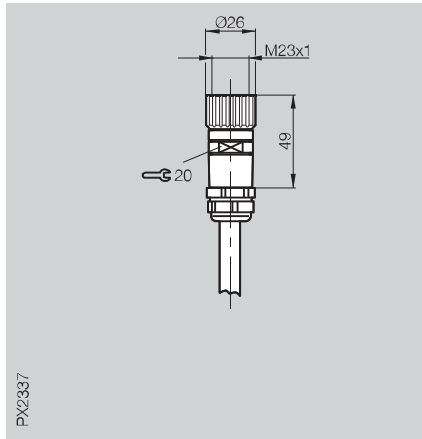
PBT
IP 67 (when connected)
-25...+85 °C



5

Connectors
Splitter boxes with accessories
Electrical devices
Fasteners
Tools

Connector	BKS-S196	BKS-S196
Version	straight female	straight female
Application	4x splitter box connection	8x splitter box connection



Ordering code	M23, 19-pin	BKS-S196-21-PU-05	BKS-S196-22-PU-05
Supply voltage U_B		18...30 V DC	18...30 V DC
Cable		5 m molded-on PUR	5 m molded-on PUR
No. of wires x cross-section		8x0.34 mm ² and 3x0.75 mm ²	16x0.34 mm ² and 3x0.75 mm ²
Degree of protection per IEC 60529		IP 67	IP 67
Ambient temperature range T_a		-20...+80 °C	-20...+80 °C
Housing material		CuZn	CuZn
View of female side			

Other cable lengths and cable qualities on request.

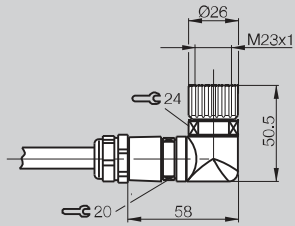
Ordering example

BKS-S196-21-PU-05 = PUR length 5 m



BKS-S197
right-angle female

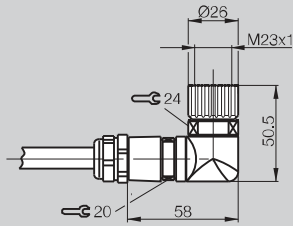
4x splitter box connection



PX2336

BKS-S197
right-angle female

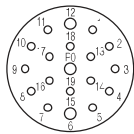
8x splitter box connection



PX2336

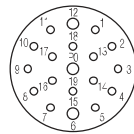
BKS-S197-21-PU-05

18...30 V DC
5 m molded-on PUR
8x0.34 mm² and 3x0.75 mm²
IP 67
-20...+80 °C
CuZn



BKS-S197-22-PU-05

18...30 V DC
5 m molded-on PUR
16x0.34 mm² and 3x0.75 mm²
IP 67
-20...+80 °C
CuZn



5

Connectors
Splitter boxes with accessories
Electrical devices
Fasteners
Tools