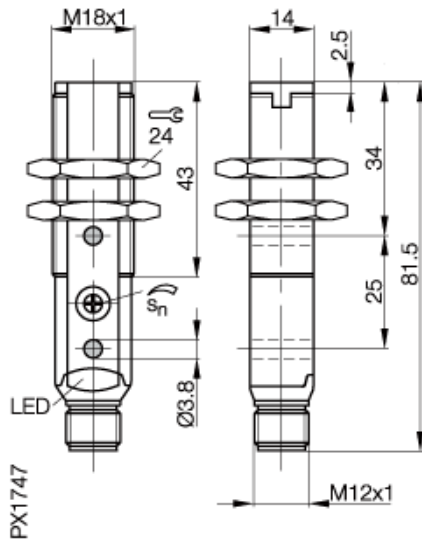


BOS 18KF-PA-1LOC-S4-C
BOS00JP

0...350 mm
PNP
NO/NC

BALLUFF
sensors worldwide



Electrical data:

Rated operational voltage	24 DC V
Current Consumption I _o max. (No Load)	35 mA
Voltage drop U _d max. at I _e	2 V
Switching element function	NO/NC
Operating frequency (f)	1500 Hz
Voltage ripple max.	max. 10% from UB
Switching frequ. standard beam	1500 Hz
Off Time delay	0,33 ms
On Time delay	0,33 ms
Connection	Connector S4 (M12)
Switching output	PNP
Supply voltage min.	10 V
Supply voltage max.	30 V

Mechanical data:

Ambient temperature min.	-10 °C
Sensing face material	PMMA
weight	25 g
Ambient temperature max.	+50 °C
sensitivity adjustment	Potentiometer 270°
Housing material	PBT
Range max.	350 mm
Sensing Distance max.	350 mm
Operating range adjustment	Potentiometer 270°

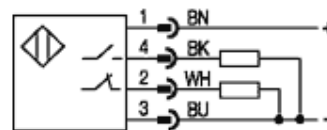
General data:

Protected against polarity reversal	yes
Short circuit protected	yes
Degree of protection IP	IP 67
Recommended connector	BKS-S 20-8
sensitivity adjustment	Potentiometer 270°
Function indication	yes, yellow LED
Voltage drop at 100mA max.	2 V
Type	Diffuse

Optical data:

light spot in focus	ca.0,5mm at 150mm
Emitter Light Source	Laser, red light, Laser class 1
Wave length of Light Source	650 nm

Wiring:



Pinout:
Pinout



www.balluff.com

Balluff Europe: +49 7158 173 -0
Balluff USA: 1-800-54 3-83 90
Balluff Asia: +86 21-50 64 41 31

Online Productinformation
2009-03-16