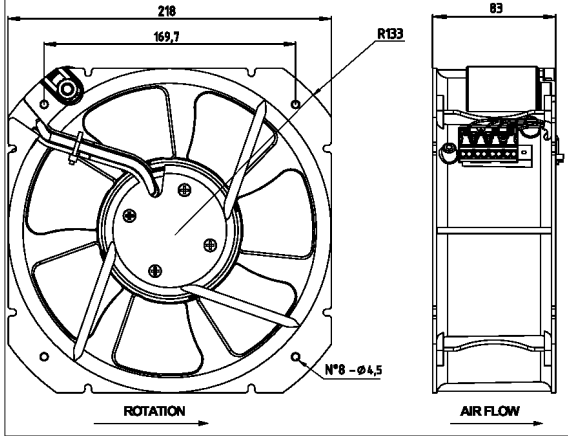
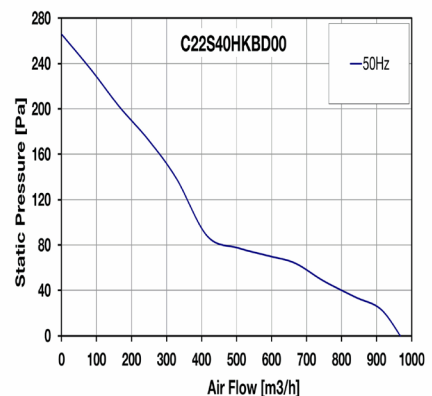
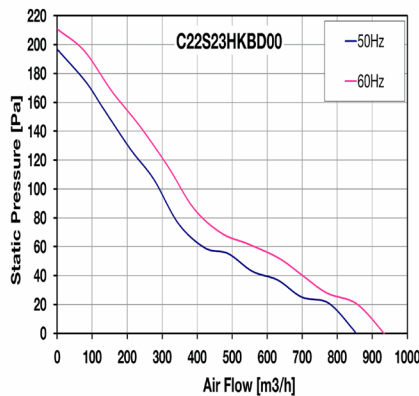
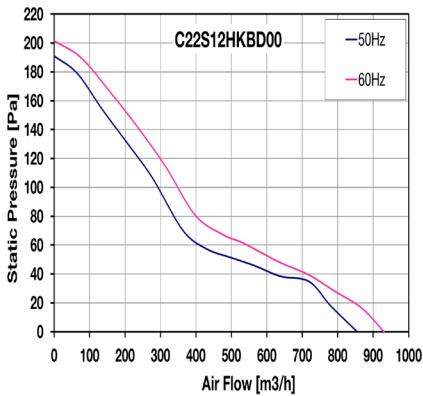


C22SD SERIES

Description: Axial fan a.c. 218X218X83mm



Impeller material: fibre reinforced plastic (PA66) blades
Casing material: aluminium alloy die casting UNI5076
Fixing system: No 4 holes Ø4.5
Motor protection: thermal
Rated temperature range: from -20°C to +70°C
Motor Lifetime L10 at 25°C (approx.): 63,000 h
Insulation class: F
Working class of capacitor: class B for 115V model
 class A for 230V model
Electrical connection: by screwless terminal block 2.5 mm² (20 - 14 AWG): 3 poles L-N-PE for 115/230Va.c. models; 4 poles L1-L2-L3-PE for 400 Va.c. models
Weight: 1,9 kg



Model	Bearing	Voltage	Frequency	Rated Current	Rated Power	Max Air Flow**	Static Pressure	Noise	RPM	Approvals
		(V)	(Hz)	(A)	(W)	(m3/h)	(Pa)	[db(A)]	(rpm)	
C22S12HKBD00	Ball	115 V a.c.	50/60	0.79/0.83	79/96	855/930	190/201	64.6/67.4	2,490/2,760	CE
C22S23HKBD00	Ball	230 V a.c.	50/60	0.343/0.411	78/94	855/930	197/211	65.0/68.0	2,490/2,750	CE
C22S40HKBD00	Ball	400 V 3 ~	50	0.280	174	970	265	61.0	2,770	CE

data with uncertainty of 15%