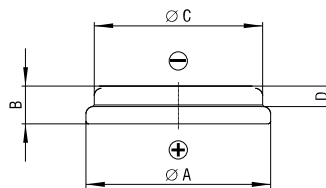


Coin Cells

Standard bare coin cells

General characteristics

- Self-discharge: less than 1% per year at 23°C
- Shelf life: up to 10 years at max. 23°C
- Stable voltage during shelf life
- High reliability of operation, including leakage resistance
- Contains no heavy metals



Dimensions and weights

| Model | Max. Dimensions (mm) | | | | approx Weight (g) | Part.No.* |
|------------|----------------------|------|-----------|----------|-------------------|-----------|
| | A | B | C | D | | |
| CR1025 | 10.00 | 2.50 | Ref. 6.0 | min 0.08 | 0.6 | 700263 |
| CR1216 MFR | 12.50 | 1.60 | Ref. 10.2 | min 0.05 | 0.7 | 100551 |
| CR1220 MFR | 12.50 | 2.00 | Ref. 10.3 | min 0.10 | 0.8 | 100552 |
| CR1225 | 12.50 | 2.50 | Ref. 9.0 | min 0.08 | 0.9 | 700281 |
| CR1616 | 16.00 | 1.60 | Ref. 12.0 | min 0.02 | 1.1 | 700287 |
| CR1620 | 16.00 | 2.00 | Ref. 12.0 | min 0.06 | 1.2 | 700291 |
| CR1632 | 16.00 | 3.20 | Ref. 12.0 | min 0.08 | 1.8 | 700296 |
| CR2016 MFR | 20.00 | 1.60 | Ref. 18.0 | min 0.05 | 1.7 | 100270 |
| CR2025 MFR | 20.00 | 2.50 | Ref. 17.0 | min 0.05 | 2.5 | 100271 |
| CR2032 MFR | 20.00 | 3.20 | Ref. 17.0 | min 0.05 | 2.8 | 100272 |
| CR2320 | 23.00 | 2.00 | Ref. 18.0 | min 0.06 | 2.7 | 700344 |
| CR2325 | 23.00 | 2.50 | Ref. 19.0 | min 0.08 | 3.0 | 700348 |
| CR2430 MFR | 24.50 | 3.00 | Ref. 20.0 | min 0.08 | 4.3 | 100350 |
| CR2430 | 24.50 | 3.00 | Ref. 20.0 | min 0.08 | 4.1 | 700359 |
| CR2450N | 24.50 | 5.00 | Ref. 22.3 | min 2.50 | 5.9 | 700377 |
| CR2477N | 24.50 | 7.70 | Ref. 22.4 | min 5.30 | 8.3 | 700391 |

*Packaging: Industrial Bulk (IB-Trays)



Electrical characteristics

| Model | Nominal capacity (mAh) | Standard discharge current (mA) ¹⁾ | Max. continuous discharge current (mA) ²⁾ | Operating Temperature (C) ³⁾ |
|------------|------------------------|---|--|---|
| CR1025 | 30 | 0.05 | 0.40 | -40/+85° |
| CR1216 MFR | 30 | 0.10 | 1.00 | -30/+70° |
| CR1220 MFR | 40 | 0.10 | 1.00 | -30/+70° |
| CR1225 | 48 | 0.10 | 1.00 | -40/+85° |
| CR1616 | 50 | 0.10 | 1.00 | -40/+85° |
| CR1620 | 68 | 0.10 | 1.00 | -40/+85° |
| CR1632 | 125 | 0.20 | 1.50 | -40/+85° |
| CR2016 MFR | 90 | 0.20 | 3.00 | -30/+70° |
| CR2025 MFR | 165 | 0.30 | 3.00 | -30/+70° |
| CR2032 MFR | 225 | 0.40 | 3.00 | -30/+70° |
| CR2320 | 150 | 0.20 | 3.00 | -40/+85° |
| CR2325 | 190 | 0.30 | 3.00 | -40/+85° |
| CR2430 MFR | 300 | 0.50 | 4.00 | -30/+70° |
| CR2430 | 285 | 0.50 | 4.00 | -40/+85° |
| CR2450N | 540 | 0.80 | 3.00 | -40/+85° |
| CR2477N | 950 | 1.00 | 2.50 | -40/+85° |

1) Standard discharge current: 100% of nominal capacity is obtained by discharging the cells at this current rates.

2) The maximum current is determined for a yield of 70% of the nominal capacity with a cut-off voltage of 2.0V, at 23°C. For currents exceeding those given above or pulsed current, please contact Renata.

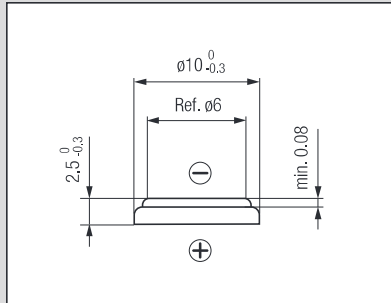
3) In applications where the battery is exposed to temperatures above 70°C, please contact Renata for consultancy.

Coin Cells

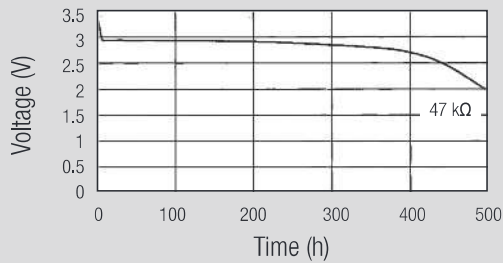
Standard bare coin cells



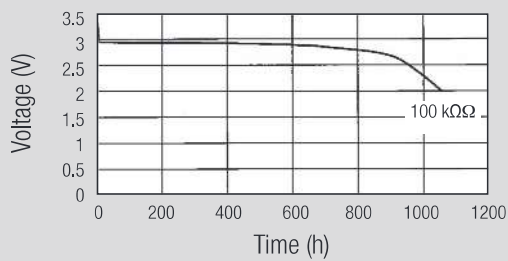
CR1025  Rated capacity: 30 mAh
Average weight: 0.6 g



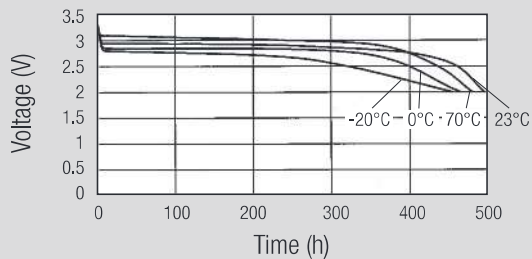
Discharge performance at 23°C



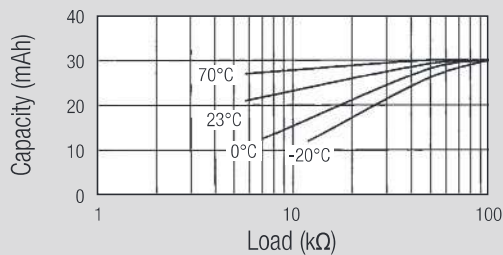
Discharge performance at 23°C




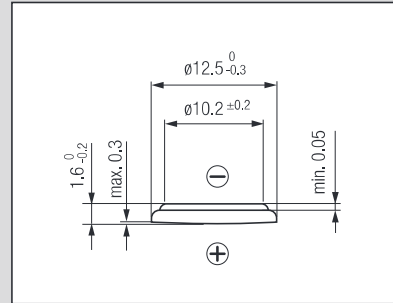
Temperature performance Load 47 kΩ



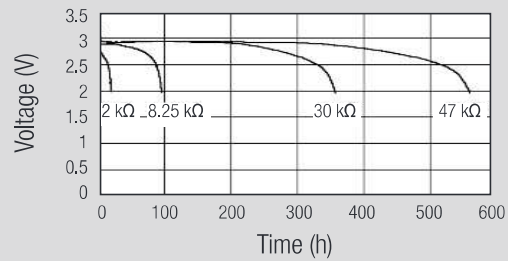
Cell capacity at various loads



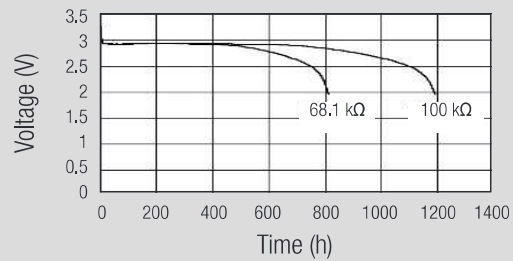
CR1216 MFR  Rated capacity: 30 mAh
Average weight: 0.7 g



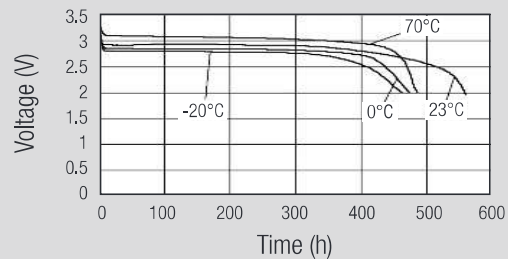
Discharge performance at 23°C



Discharge performance at 23°C



Temperature performance Load 47 kΩ



Cell capacity at various loads

