

Product Data Sheet 614 N/2HH-169

**ebmpapst**

The engineer's choice



614 N/2HH-169

INDEX

**1 General ..... 3**

**2 Mechanics ..... 3**

    2.1 General ..... 3

    2.2 Connections ..... 3

**3 Operating Data ..... 4**

    3.1 Electrical Operating Data ..... 4

    3.2 Operating Data - Electrical Interface - Output ..... 5

    3.3 Electrical Features ..... 6

    3.4 Aerodynamics ..... 7

    3.5 Sound Data ..... 8

**4 Environment ..... 8**

    4.1 General ..... 8

    4.2 Climatic Requirements ..... 8

**5 Safety ..... 9**

    5.1 Electrical Safety ..... 9

    5.2 Approval Tests ..... 9

**6 Reliability ..... 9**

    6.1 General ..... 9

**1 General**

|                                     |                        |  |
|-------------------------------------|------------------------|--|
| Fan type                            | Fan                    |  |
| Rotating direction looking at rotor | Clockwise              |  |
| Airflow direction                   | Air outlet over struts |  |
| Bearing system                      | Ball bearing           |  |
| Mounting position - shaft           | Any                    |  |

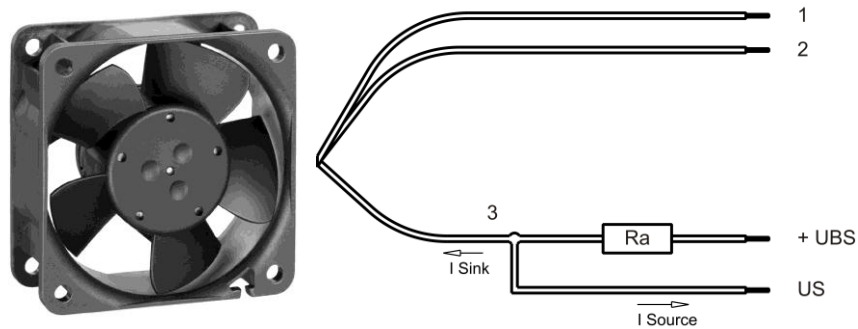
**2 Mechanics**

**2.1 General**

|   |   |  |
|---|---|--|
| Width   | 60,0 mm   |  |
| Height  | 60,0 mm   |  |
| Depth   | 25,0 mm   |  |
| Mass  | 0,066 kg  |  |
| Housing material                                      | Plastic   |  |
| Impeller material                                     | Plastic   |  |
| Max. torque when mounted across both mounting flanges | wire outlet corner: 20 Ncm<br>remaining corners: 40 Ncm                 |  |
| Screw size  | ISO 4762 - M3 degreased, without an additional brace and without washer |  |

**2.2 Connections**

|                       |             |  |
|-----------------------|-------------|--|
| Electrical connection | Wires       |  |
| Lead wire length      | L = 457 mm  |  |
| Tolerance             | + - 10,0 mm |  |
| Wire size (AWG)       | 24          |  |
| Insulation diameter   | 1,02 mm     |  |
| Contact               | See drawing |  |



| Wire | Colour | Operation |
|------|--------|-----------|
| 1    | red    | + UB      |
| 2    | blue   | - GND     |
| 3    | white  | Tacho     |

The auxiliaries shown on the schematic diagram (which are required for the intended use) are not part of our delivery.

### 3 Operating Data

#### 3.1 Electrical Operating Data

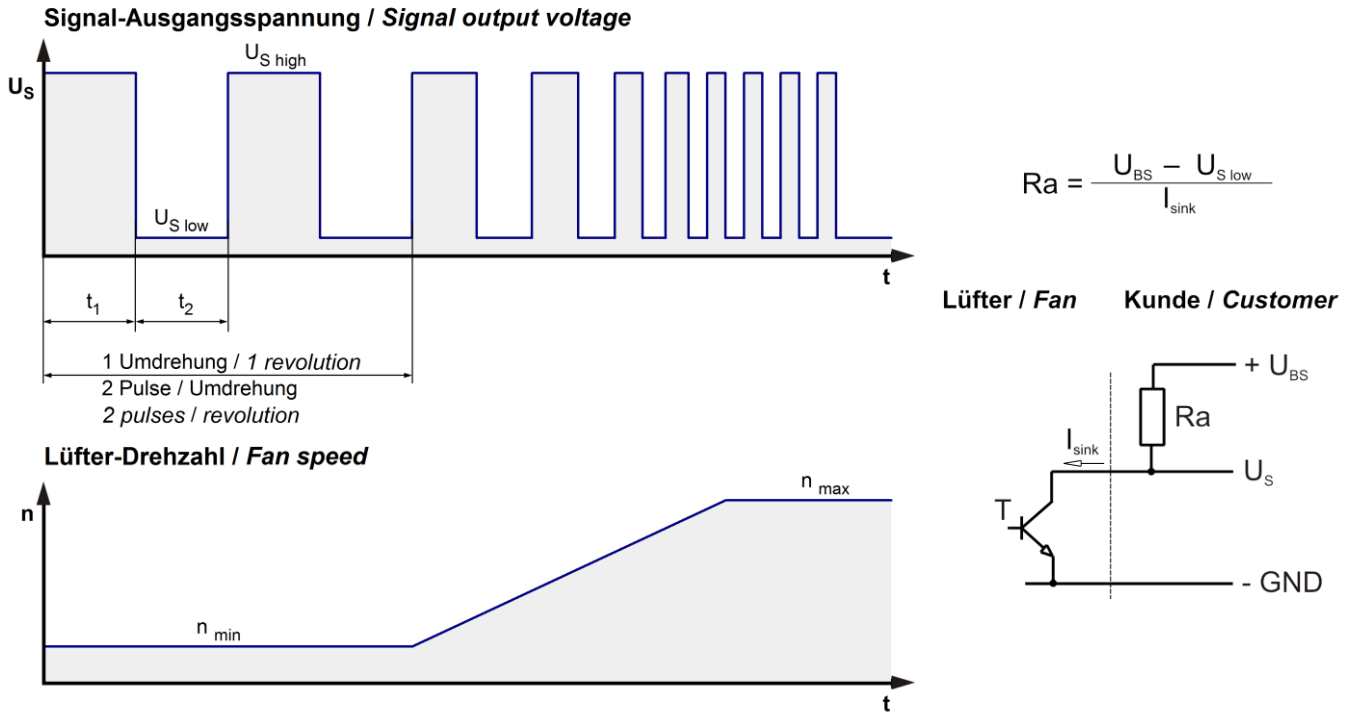
Measurement conditions: Normal air density = 1,2 kg/m<sup>3</sup>; Temperature 23°C +/- 3°C; Motor axis horizontal; warm-up time before measuring 5 minutes (unless otherwise specified). In the intake and outlet area should not be any solid obstruction within 0,5 m.

$\Delta p = 0$ : corresp. to free air flow (see section 3.5)  
I: corresp. to arithm. mean current value

| Features            | Condition      | Symbol | Values      |             |             |
|---------------------|----------------|--------|-------------|-------------|-------------|
| Voltage range       |                | U      | 18,0 V      |             | 26,0 V      |
| Nominal voltage     |                | $U_N$  |             | 24,0 V      |             |
| Power consumption   | $\Delta p = 0$ | P      | 1,6 W       | 3 W         | 3,5 W       |
| Tolerance           | 0010           |        | +/- 17,5 %  | +/- 12,5 %  | +/- 17,5 %  |
| Current consumption | $\Delta p = 0$ | I      | 90 mA       | 125 mA      | 135 mA      |
| Tolerance           | 0010           |        | +/- 17,5 %  | +/- 12,5 %  | +/- 17,5 %  |
| Speed               | $\Delta p = 0$ | n      | 5.300 1/min | 6.850 1/min | 7.300 1/min |
| Tolerance           | 0010           |        | +/- 15,0 %  | +/- 10,0 %  | +/- 15,0 %  |

3.2 Operating Data - Electrical Interface - Output

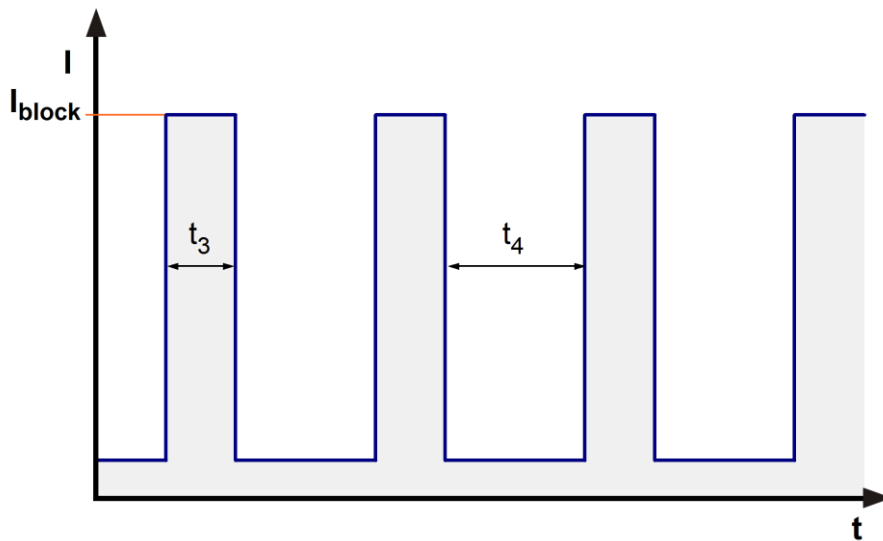
|            |                     |
|------------|---------------------|
| Tacho type | /2 (open collector) |
|------------|---------------------|



| Features                      | Note  | Values      |
|-------------------------------|---|-------------|
| Tacho operating voltage (UBS) |   | <= 28 V     |
| Tacho signal Low              | I sink: 2 mA  | <= 0,4 V    |
| Tacho signal High             | I source: 0 mA  | <= 28 V     |
| Maximum sink current          |   | <= 4 mA     |
| External resistor             | External resistor Ra from UBS to US required. All voltages measured to GND. |             |
| Tacho frequency               | (2 x n) / 60  |             |
| Tacho isolated from motor     | No  |             |
| Slew rate                     |   | => 0,5 V/us |

### 3.3 Electrical Features

|                                |                                    |  |
|--------------------------------|------------------------------------|--|
| Electronic function            | None                               |  |
| Reversed polarity protection   | Rectifying diode                   |  |
| Max. residual current at $U_N$ | $I_F \leq 5 \mu A$                 |  |
| Locked rotor protection        | Auto restart                       |  |
| Locked rotor current at $U_N$  | $I_{block}$ approx. 690 mA         |  |
| Clock signal at locked rotor   | $t_3 / t_4$ Typical: 0,2 s / 1,1 s |  |



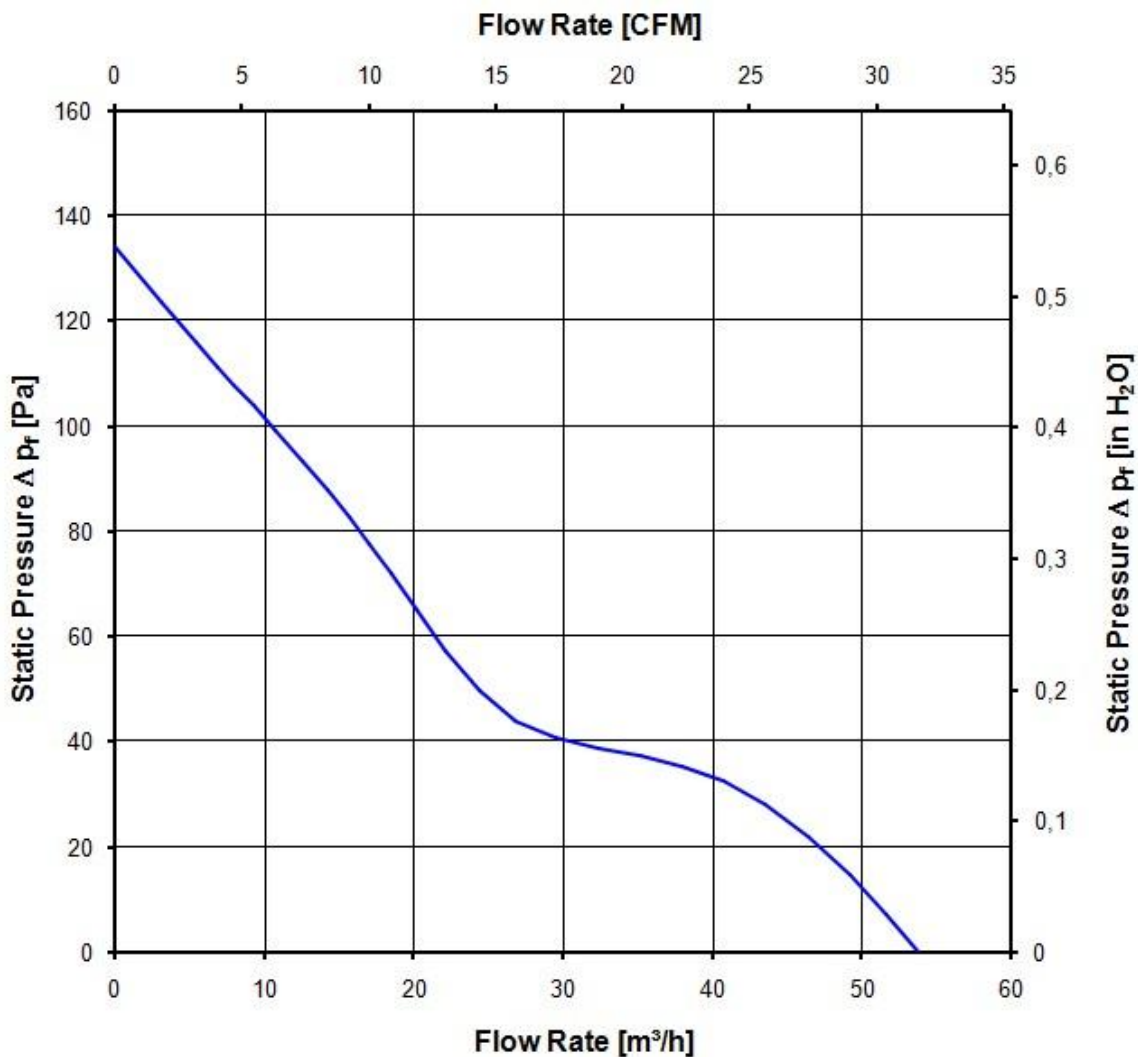
### 3.4 Aerodynamics

Measurement conditions: Measured with a double chamber intake rig acc. to DIN EN ISO 5801.  
 Normal air density = 1,2 kg/m<sup>3</sup>; Temperature 23°C +/- 3°C;  
 In the intake and outlet area should not be any solid obstruction within 0,5 m.  
 The information is only valid under the specified test conditions and may be changed by the installation conditions. If there are deviations from the standard test conditions, the characteristic values must be checked under the installed conditions.

a.) Operation condition:

6.850 1/min at free air flow

|   |                        |  |
|---|------------------------|--|
| Max. free-air flow ( $\Delta p = 0 / \dot{V} = \text{max.}$ )   | 54,0 m <sup>3</sup> /h |  |
| Max. static pressure ( $\Delta p = \text{max.} / \dot{V} = 0$ ) | 134 Pa                 |  |



### 3.5 Sound Data

Measurement conditions: Sound pressure level: 1 Meter distance between microphone and the air intake.  
 Sound power level: Acc. to DIN 45635 part 38 (ISO 10302)  
 Measured in a semianchoic chamber with a background noise level of  $L_p(A) < 5 \text{ dB(A)}$   
 For further measurement conditions see section 3.5

a.) Operation condition:

|                              |
|------------------------------|
| 6.850 1/min at free air flow |
|------------------------------|

|   |                                |  |
|---|--------------------------------|--|
| Optimal operating point   | 34,0 m <sup>3</sup> /h @ 33 Pa |  |
| Sound power level at the optimal operating point                | 5,6 bel(A)                     |  |
| Sound pressure level at free air flow, measured in rubber bands | 42,0 dB(A)                     |  |

## 4 Environment

### 4.1 General

|  |        |  |
|--|--------|--|
| Min. permitted ambient temperature TU min. | -20 °C |  |
| Max. permitted ambient temperature TU max. | 70 °C  |  |
| Min. permitted storage temperature TL min. | -40 °C |  |
| Max. permitted storage temperature TL max. | 80 °C  |  |

### 4.2 Climatic Requirements

|                       |   |  |
|-----------------------|---|--|
| Humidity requirements | humid heat, constant; according to DIN EN 60068-2-78, 14 days |  |
| Water exposure        | None  |  |
| Dust requirements     | None  |  |
| Salt fog requirements | None  |  |

\*) Permitted application area:

The product is intended for use in sheltered rooms with controlled temperature and controlled humidity. Directly exposure to water must be avoided.

Pollution degree 1 (according DIN EN 60664-1)

There is either no pollution or it occurs only dry, non-conductive pollution. The pollution has no negative impact. Please require severity levels and specification parameters from the responsible development departments



## 5 Safety

### 5.1 Electrical Safety

|  |                 |  |
|--|-----------------|--|
| Dielectric strength<br>DIN EN 60950 (VDE 0805) and DIN EN 60335 (VDE 0700)<br>A.) Type test<br>Measuring conditions: After 48h of storage at 95% R.H. and 25°C.<br>No arcing or breakdown is allowed!<br>All connections together to ground. | Not applicable  |  |
| B.) Routine test<br>Measuring conditions: At indoor climate.<br>No arcing or breakdown is allowed!<br>All connections together to ground.  | Not applicable  |  |
| Isolation resistance<br>Measuring conditions: After 48h of storage at 95% R.H. and 25°C measured with U=500 VDC for 1 min.   | RI > 10 MOhm    |  |
| clearance / creepage distance  | 1,0 mm / 1,2 mm |  |
| Protection class   | III             |  |

### 5.2 Approval Tests

|     |   |   |
|-----|---|---|
| CE  | EC Declaration of Conformity  | Yes   |
| EAC | Eurasian Conformity   | Yes   |
| UL  | Underwriters Laboratories   | Yes / UL507, Electric Fans  |
| VDE | Association for Electrical, Electronic and Information Technologies | Yes / Approval acc. to EN 60950 (VDE 0805) - Information technology equipment |
| CSA | Canadian Standards Association                                      | Yes / C22.2 No. 113 Fans and Ventilators                                      |
| CCC | China Compulsory Certification                                      | No  |

The approval tests are observed to:

U approval max.: 28,0 V @ TU approval max.: 70,0 °C

## 6 Reliability

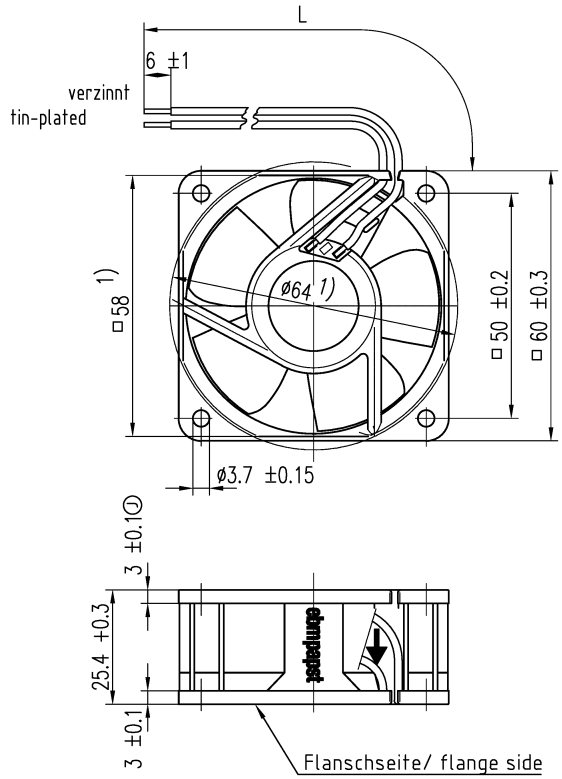
### 6.1 General

|  |           |  |
|--|-----------|--|
| Life expectancy L10 at TU = 40 °C                  | 60.000 h  |  |
| Life expectancy L10 at TU = 60 °C                  | 37.500 h  |  |
| Life expectancy L10 at TU max.                     | 30.000 h  |  |
| Life expectancy L10 acc. to IPC 9591 at TU = 40 °C | 102.500 h |  |

Copying of this document, and giving it to others and the use or communication of the contents thereof, are forbidden without express authority. Offenders are liable in the payment of damages. All rights are reserved in the event of the grant of a patent or the registration of a utility model or design.

Schutzzeichen nach DIN ISO 9006 beachten/  
 Refer to protection notice DIN ISO 9006!

Anzahl und Länge der Litze s. Spezifikation  
 length and number of wires see design specification



1) Maße für Montagewand  
 1) dimensions for assembly wall

|                                      |                     |                                     |                                  |                              |                           |                                    |                                |
|--------------------------------------|---------------------|-------------------------------------|----------------------------------|------------------------------|---------------------------|------------------------------------|--------------------------------|
|                                      |                     | <b>ebmpapst</b>                     |                                  | Werkstoff/Material:          |                           | Volumen/Volume (mm <sup>3</sup> ): |                                |
| SAP-Status/State                     | Änd.-Nr./Change-No. | AufCAD-System-Version               | CAD-Umgebung/<br>CAD-Environment |                              |                           | Gewicht/Mass (g):                  |                                |
|                                      |                     | Datum/Date                          | Name/Name                        | Artikel/Title                |                           |                                    |                                |
|                                      |                     | Bearb./Drawn                        |                                  |                              |                           |                                    |                                |
| Tolerierung/Tolerances:              |                     | gepr./Checked                       |                                  |                              |                           |                                    |                                |
| Allgemeintoleranzen/Gen. tolerances: |                     | Freig./Released                     |                                  | Zchg.-Nr. / Drawing-No.:     |                           | Ers.f.Zchg./Replaces:              |                                |
|                                      |                     | <b>ebmpapst</b>                     |                                  | Dokumenttyp/Type of Document | Teildokument (Blatt/Page) | Index/Index                        | Formal/Size:    Massstab/scale |
|                                      |                     | ebm-papst St. Georgen GmbH & Co. KG |                                  |                              |                           |                                    |                                |