

ITEM # EUDC24B8, DC AXIAL FAN

- Dimensions: 1.6 x 0.5 in (40 x 13 mm)
- Suitable for needs of bigger air flow rate required (generate air circulation flow inside of the unit.)



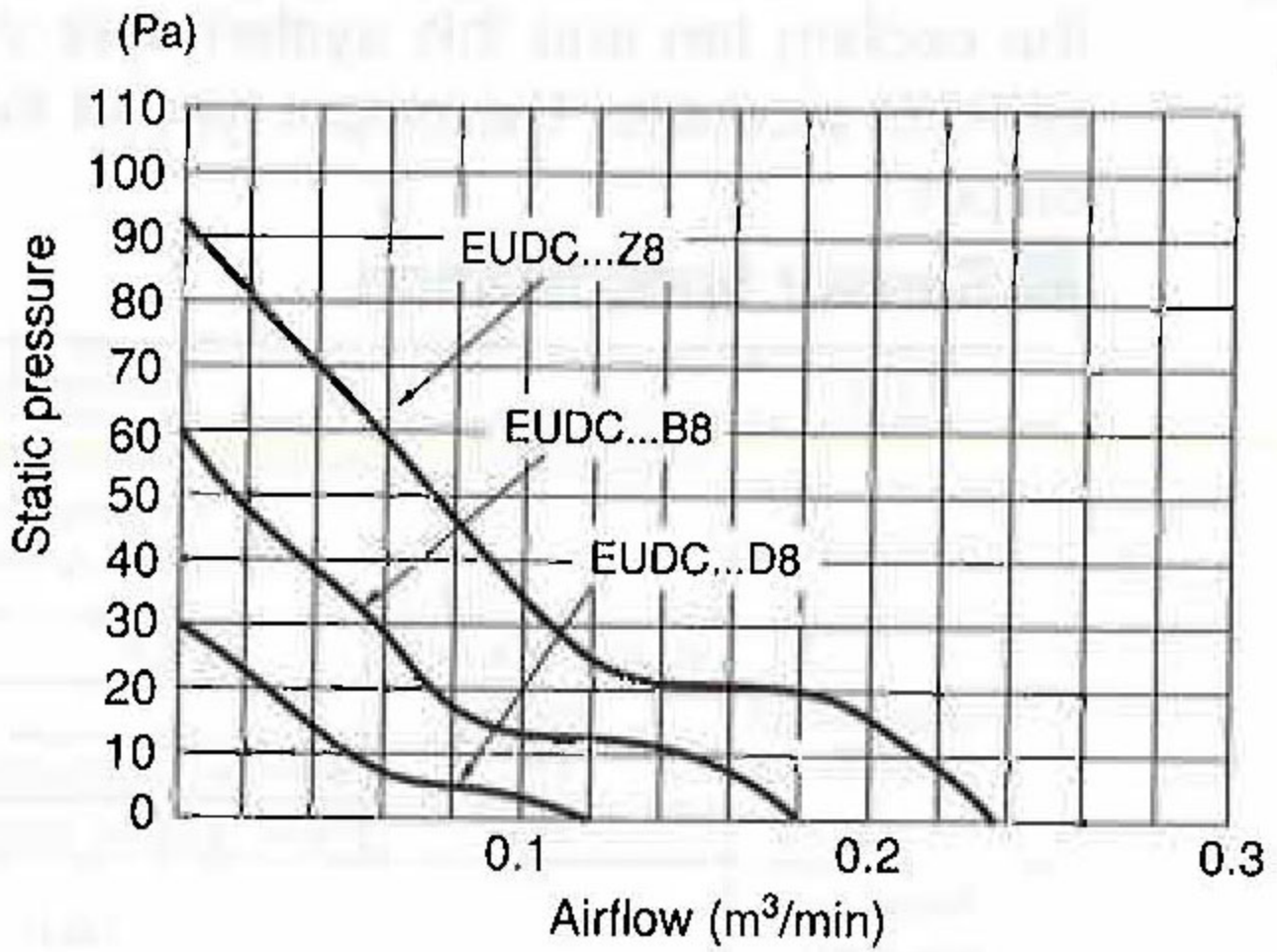
[Specifications](#) | [Airflow Pressure Curve](#) | [Dimensions](#) | [Additional Information](#) | [Customize](#)

Specifications

Type	DC Axial Fans	
Product Type	DC Axial Fan	
Noise	30 dB	
Min. Speed	7200	
Input	1.1 W	
Rated Voltage	24 V	
Operating Voltage	14.4 - 27.6 V	
Current Rating	50 mA	
Current Starting	100 mA	
Operating Temperature	-20 ~ +80 °C	
Dimensions	40 x 13 mm 1.6 x 0.5 in	
Max Airflow	6.4 cfm	0.18 m ³ /min
Max Static Pressure	59 Pa 0.24 inH ₂ O	

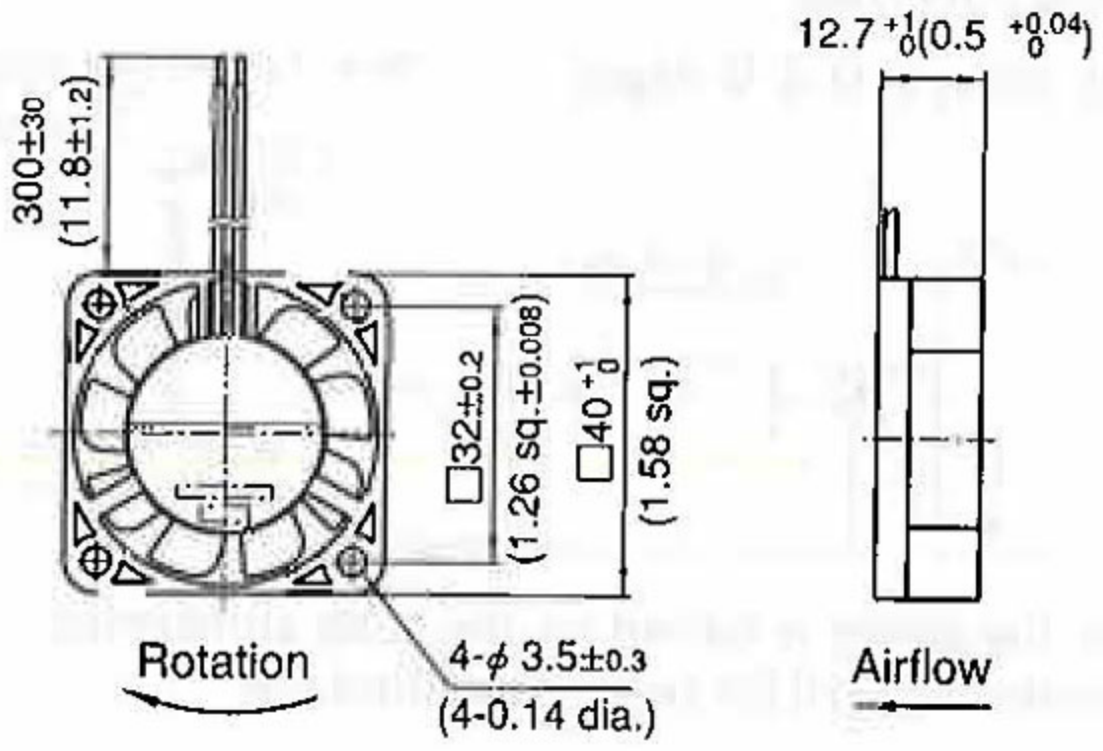
Weight	26 g
Material	Bearing : Both Side Shielded Ball Bearing Propeller : ABS and PBT Synthetic Resins Venturi : ABS and PBT Synthetic Resins
Motor	Brushless DC Motor, Protection type : Current shut off by detecting lock state, automatically reset
Qty/Box	400
Carton Size	45 x 38 x 29 cm
Qty/Pallet	4800
Standard Pallet Size	790 x 930 x 1020 cm
Box/Pallet	12

- Note**
- Figures in the table are average measured values. Please request the product delivery specification when preparing a purchase specification
 - The characteristics are the values at rated voltage (12 V or 24 V), and normal temperature and humidity
 - The life expectancy of EUDC12Z8 at rated voltage and in continuous operation is 30,000 hours at 60°C (40,000 hours for other products at 60°C)



Standard Airflow & Static Pressure Characteristics

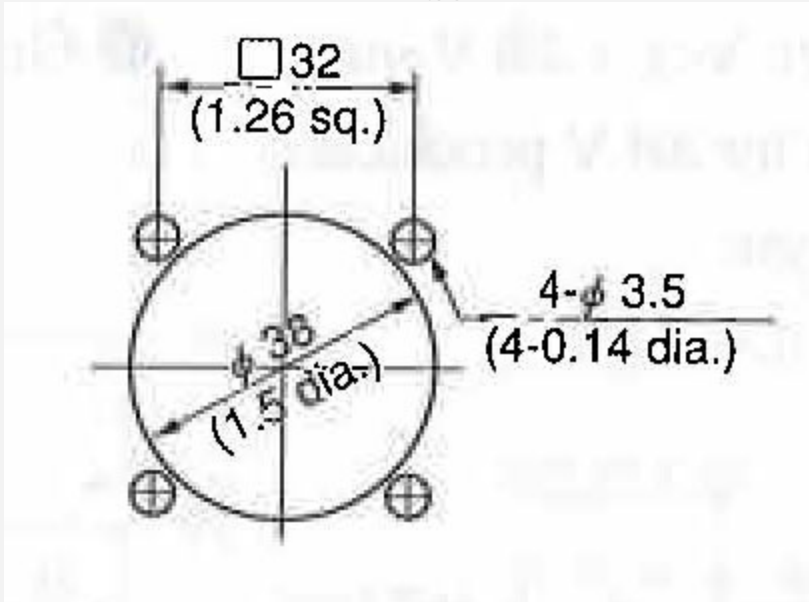
● Lead wire type



Lead wire spec. AWG24 UL1007 or UL3266

Color (+) Red
(-) Black

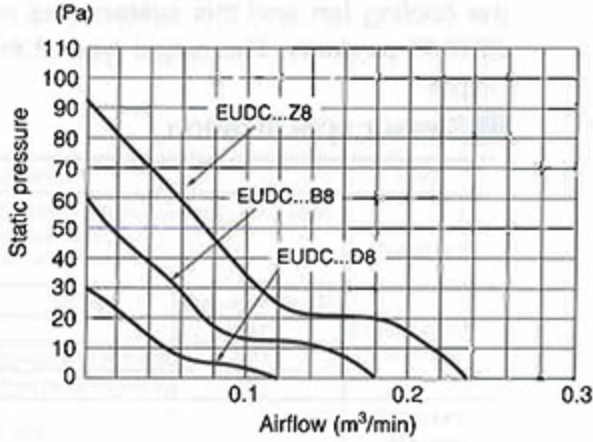
a1728.jpg



a1730.jpg

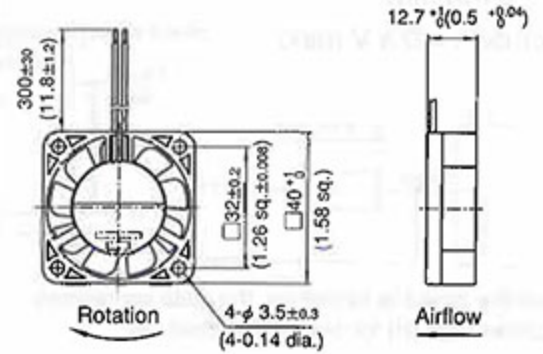
Standard airflow and static pressure characteristics (At rated voltage)

[By double chamber method]



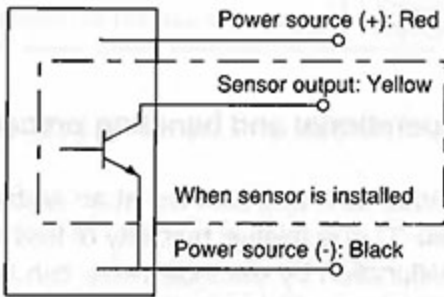
External dimensions in mm (Inches)

● Lead wire type

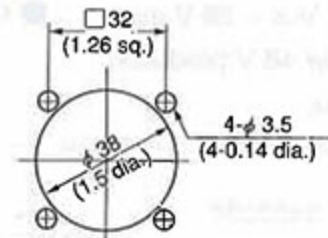


Lead wire spec. AWG24 UL1007 or UL3266
 Color (+) Red
 (-) Black

Wiring connection diagram




Mounting hole dimensions in mm (Inches) [Recommendation]



Brushless
DC Fans & Blowers

DC Axial Fan
EUDC



40x13 (1.6" x 0.5")
Max. airflow: 0.23 m³/min
Max. static pressure: 79 Pa
Mass: 26 g

Fan model code

- EUDC1208
- EUDC1208S
- EUDC1208
- EUDC1208S
- EUDC1228
- EUDC1228P
- EUDC2488
- EUDC2488S

EUDC series 40 X 13mm

Standard specification

Max. Airflow (m³/min)	Max. Static Pressure (Pa)	Noise (dB)	Speed (min⁻¹)	Input W	Voltage Spec. V (Vdc)	Current mA (mA)	Model Code	Operating Temp. Range (°C)
0.23	8.1	79	9000	1.5	12	130	EUDC1228	-20 ~ +70
0.18	6.4	59	7000	0.9	12	75	EUDC1288	-20 ~ +80
				1.1	24	50	EUDC2488	
0.12	4.2	30	5200	0.5	12	40	EUDC1208	

* Figures in the table are average measured values. Please request the product delivery specification when preparing a purchase specification.
 * The characteristics are the values at rated voltage (12 V or 24 V), and normal temperature and humidity.
 * The life expectancy of EUDC1208 at rated voltage and in continuous operation is 30,000 hours at 85 °C, +60,000 hours for other products at 85 °C.

General specification

Materials Used: Vents: ABS and PBT synthetic resins; Propeller: ABS and PBT synthetic resins; Bearings: (Both side shielded ball) bearing

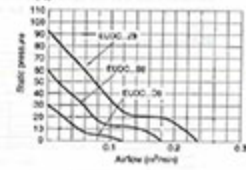
Motor: Brushless DC motor, Protection type: Current shut off by detecting lock state, automatically reset

Common Elec. Spec: See pages G-11, G-12, G-13.

Standard Carton: 400 to a carton of (450 x 380 x 300) mm, mass 1.2 kg

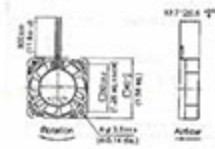
Standard airflow and static pressure characteristics (At rated voltage)

(By double chamber method)



External dimensions in mm (inches)

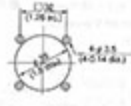
Lead wire type



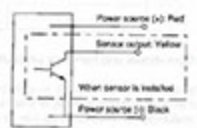
Lead wire spec: AWG24 UL1007 or UL326
Color: (+) Red, (-) Black

Mounting hole dimensions in mm (inches)

[Recommendation]



Wiring connection diagram

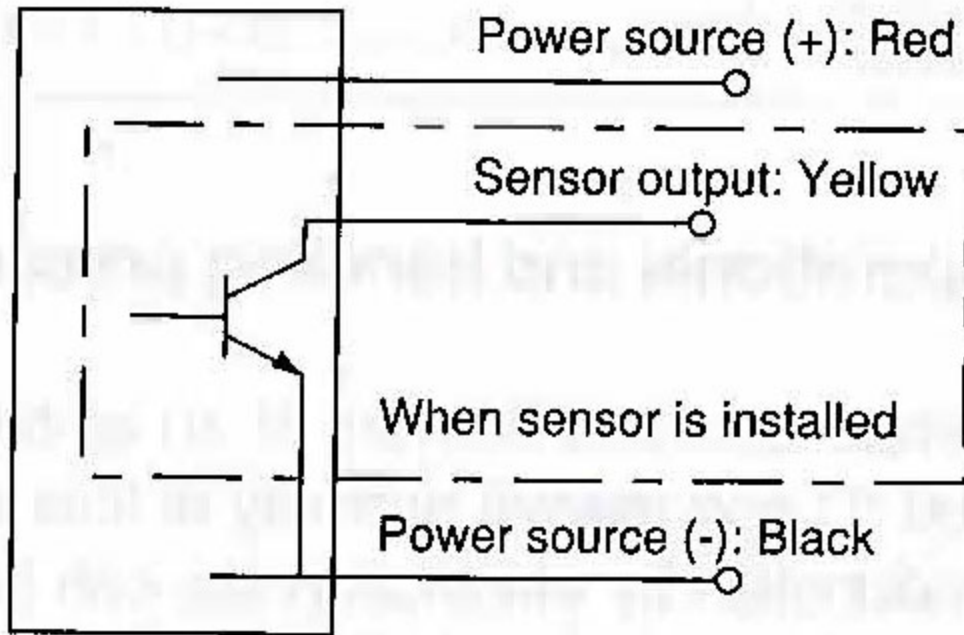


DC axial fan with sensor

Rated voltage	Model Code
12 V	EUDC1208S EUDC1288S EUDC1228P
24 V	EUDC2488S

* NIDECP SERVO can meet many of your requirements for customization, such as special connectors, other sensors not listed above, variable speed specifications, and other modifications. Please contact NIDECP SERVO during your product planning and development stage.
 * The listed products are registered in the following countries: Canada (CAN), U.S.A. (USA), U.K. (UK), U.S.A. (USA), U.S.A. (USA), U.S.A. (USA).
 * 3D data is also available at our 3D-CAD site (www.nidecp.com).

EUDC Series



Wiring Diagram

Customize

[Custom Designs](#)