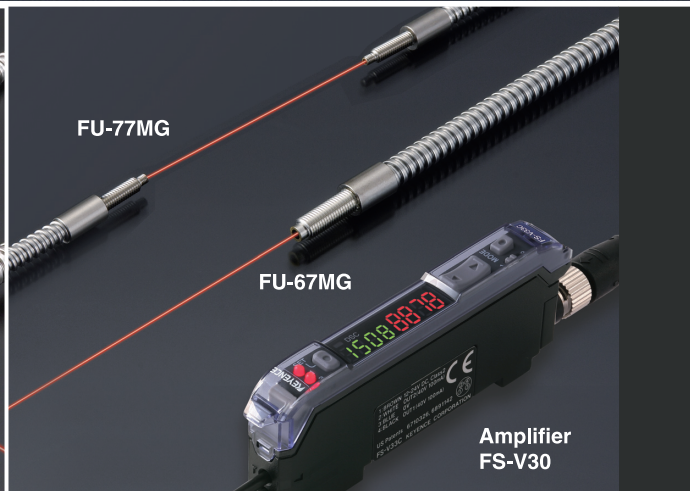
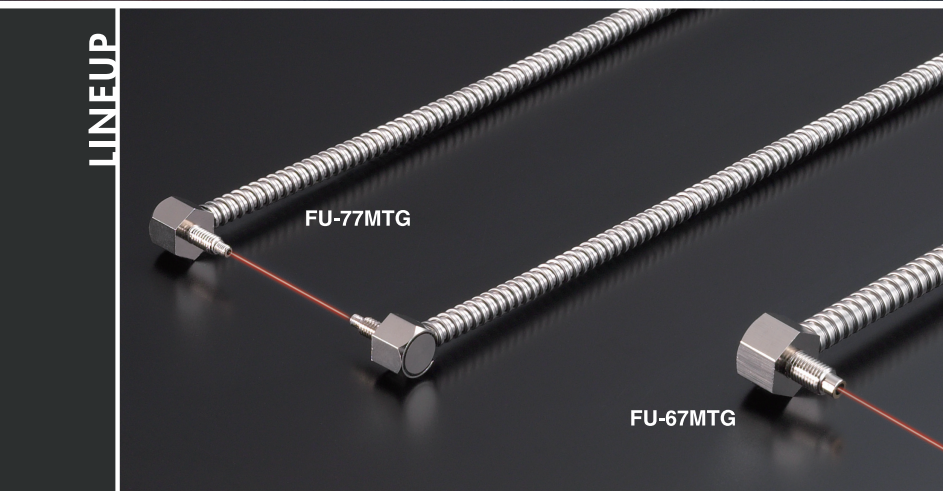
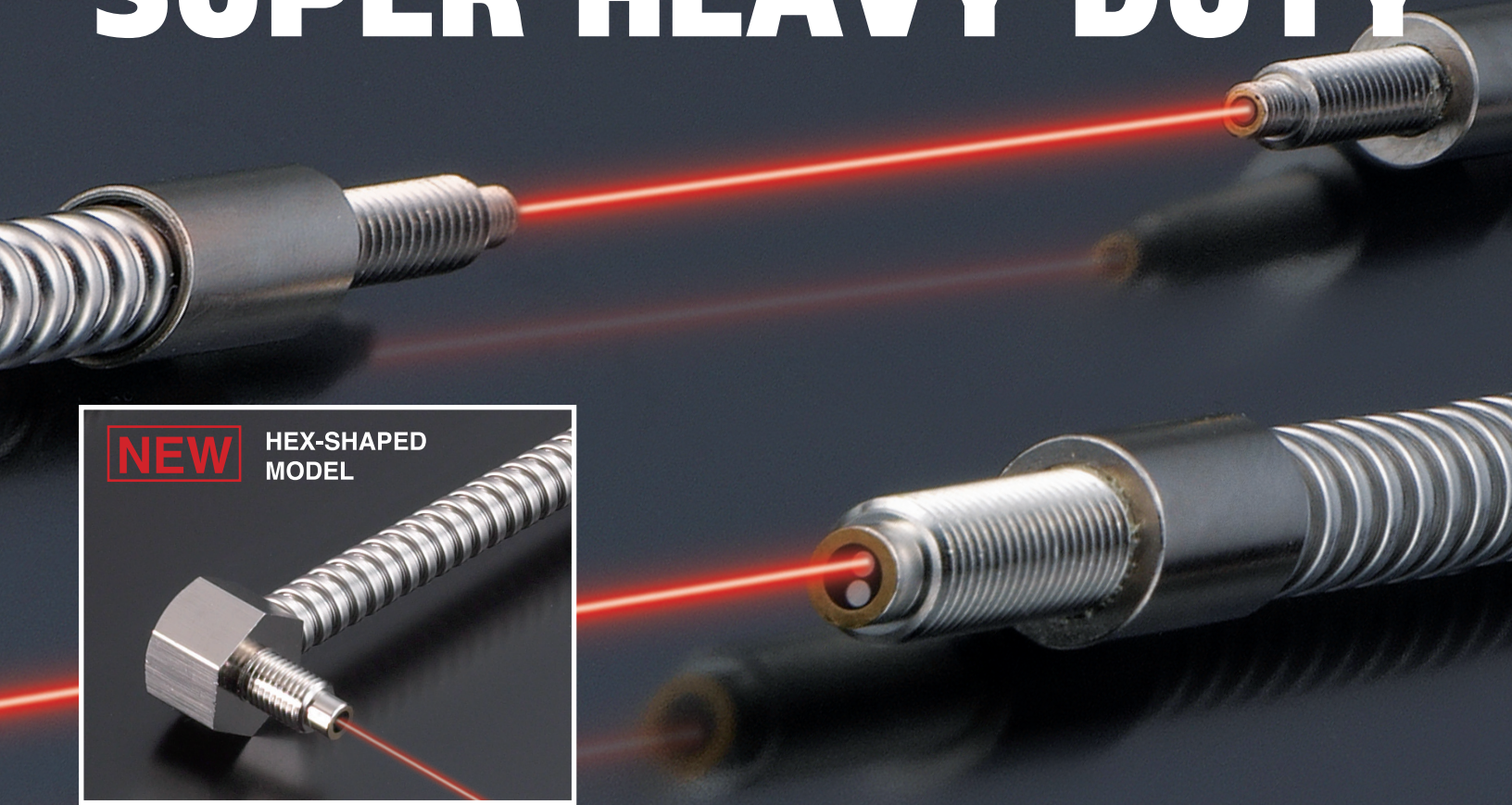
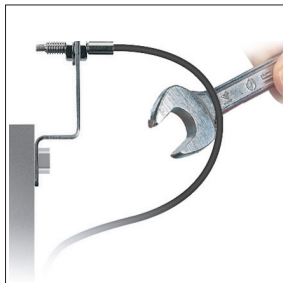


# SUPER HEAVY DUTY

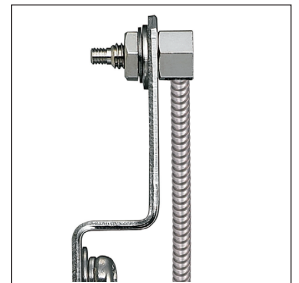


## ADVANTAGE OF SUPER HEAVY DUTY

**PROBLEM**

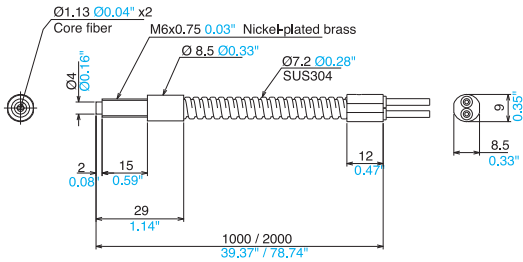


**NO PROBLEM**

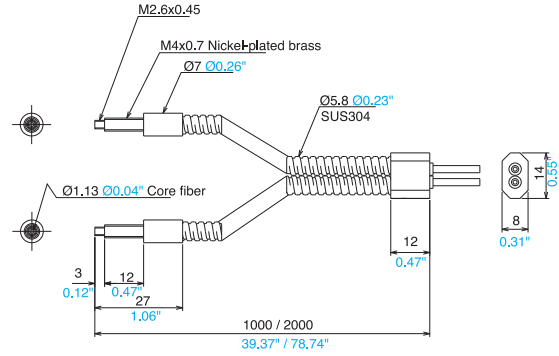


# DIMENSIONS

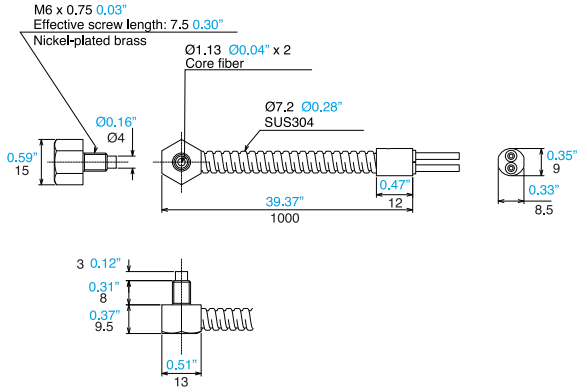
## FU-67MG / FU-67MG(2000)



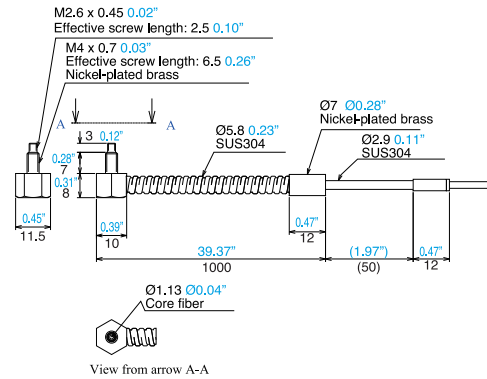
## FU-77MG / FU-77MG(2000)



## FU-67MTG



## FU-77MTG



# SPECIFICATIONS

Model	FU-77MG	FU-77MG(2000)	FU-67MG	FU-67MG(2000)	FU-77MTG	FU-67MTG			
Type	Thru-beam		Reflective		Thru-beam	Reflective			
Detecting distance (mm/inch)	Amplifier								
	MODE								
	MEGA								
	ULTRA TURBO								
	SUPER TURBO								
	TURBO								
	FINE								
HSP									
Smallest detectable target	Ø0.005 mm 0.0002" dia opaque		Ø0.005 mm 0.0002" dia gold wire		Ø0.005 mm 0.0002" dia opaque		Ø0.005 mm 0.0002" dia gold wire		
Ambient temperature	-40 to 50°C -40 to 122°F, No condensation		-40 to 50°C -40 to 122°F, No condensation		-40 to 50°C -40 to 122°F, No condensation		-40 to 50°C -40 to 122°F, No condensation		
Relative humidity	35 to 85%, No condensation		35 to 85%, No condensation		35 to 85%, No condensation		35 to 85%, No condensation		
Minimum bend radius	R20 mm 0.79" (90 degree x 4 portions)		R25 mm 0.98" (90 degree x 4 portions)		R20 mm 0.79" (90 degree x 4 portions)		R25 mm 0.98" (90 degree x 4 portions)		
Fiber	Fiber length 1 m 3.3' Fiber core: Ø1.13 0.04 dia (acrylic core)		R25 mm 0.98" Fiber core: Ø1.13 0.04 dia (acrylic core)		Fiber length 1 m 3.3' Fiber core: Ø1.13 0.04 dia (acrylic core)		Fiber length 1 m 3.3' Fiber core: Ø1.13 0.04 dia (acrylic core)		
Material	Head: Nickel-plated brass Spiral tube: SUS304		Head: Nickel-plated brass Spiral tube: SUS304		Head: Nickel-plated brass Spiral tube: SUS304		Head: Nickel-plated brass Spiral tube: SUS304		
Weight	Approx. 100 g	Approx. 180 g	Approx. 70 g	Approx. 130 g	Approx. 100 g	Approx. 80 g			

Specifications are subject to change without notice.



CALL  
TOLL  
FREE

TO CONTACT YOUR LOCAL OFFICE  
**1-888-KEYENCE**  
1 - 8 8 8 - 5 3 9 - 3 6 2 3

[www.keyence.com](http://www.keyence.com)  
Fax : 201-930-0099

### KEYENCE CORPORATION OF AMERICA

Corporate Office 50 Tice Blvd., Woodcliff Lake, NJ 07677

Phone:201-930-0100 Fax:201-930-0099

E-mail:keyence@keyence.com

#### Regional offices

**AL** Birmingham  
**CA** N. California  
**CA** Los Angeles  
**CO** Denver

**FL** Tampa  
**GA** Atlanta  
**IL** Chicago  
**IN** Indianapolis

**KS** Kansas City  
**KY** Louisville  
**MA** Boston  
**MI** Detroit

**MI** Grand Rapids  
**MN** Minneapolis  
**MO** St. Louis  
**NJ** Woodcliff Lake

**NY** Rochester  
**NC** Charlotte  
**NC** Raleigh  
**OH** Cincinnati

**OH** Cleveland  
**OR** Portland  
**PA** Philadelphia  
**TN** Nashville

**TN** Knoxville  
**TX** Dallas  
**VA** Richmond  
**WA** Seattle

### KEYENCE CANADA INC.

Head Office Phone:905-696-9970 Fax:905-696-8340 E-mail:keyence@keyence.com  
Montreal Phone:514-694-4740 Fax:514-694-3206

### KEYENCE MEXICO S.A. DE C.V.

Phone:+1-201-590-6000 Fax:+52-81-5000-9229  
Email:keyencemexico@keyence.com

KAI-0087