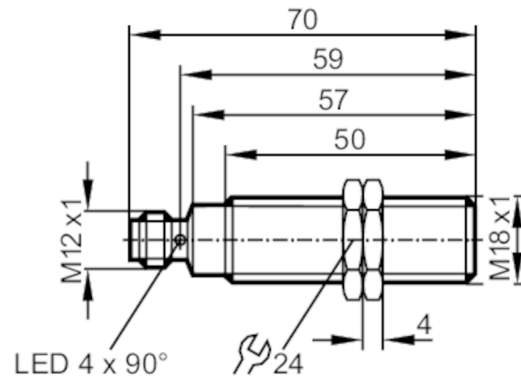


# IGC249



## Inductive full-metal sensor

IGK34,5-BPKG/AM/US-104-DPS/K0



### Product characteristics

Electrical design	PNP
Output function	normally open
Sensing range [mm]	4.5
Housing	Threaded type
Dimensions [mm]	M18 x 1 / L = 70

### Application

System	gold-plated contacts; Full-metal housing; correction factor = 0
Application	Oils and coolants
Media	Ferrous only; aluminum chip immune
Pressure rating [bar]	100
Note on pressure rating	sensing face

### Electrical data

Operating voltage [V]	10...36 DC
Current consumption [mA]	< 20
Protection class	III
Reverse polarity protection	yes

### Outputs

Electrical design	PNP
Output function	normally open
Max. voltage drop switching output DC [V]	2.5
Permanent current rating of switching output DC [mA]	100
Switching frequency DC [Hz]	100
Short-circuit protection	yes
Type of short-circuit protection	yes (non-latching)
Overload protection	yes

# IGC249



## Inductive full-metal sensor

IGK34,5-BPKG/AM/US-104-DPS/K0

Monitoring range		
Sensing range	[mm]	4.5
Operating distance	[mm]	0...3.64
Accuracy / deviations		
Correction factor		steel: 1 / stainless steel: 0.5
Hysteresis	[% of Sr]	1...20
Correction factor = 0		yes
Operating conditions		
Ambient temperature	[°C]	-25...70
Protection		IP 68; ("Coolant")
Tests / approvals		
EMC	EN 61000-4-2 ESD	4 kV CD / 8 kV AD
	EN 61000-4-3 HF radiated	10 V/m
	EN 61000-4-4 Burst	2 kV
	EN 61000-4-6 HF conducted	10 V
	EN 55011	class B
Impact resistance		1 J
MTTF	[years]	1532
UL approval	Ta	0...40 °C
	Enclosure type	Type 1
	voltage supply	Limited Voltage/Current
	File number UL	E174191
Mechanical data		
Weight	[g]	55.2
Housing		Threaded type
Mounting		flush mountable
Dimensions	[mm]	M18 x 1 / L = 70
Thread designation		M18 x 1
Material		housing: stainless steel (1.4404 / 316L); sensing face: stainless steel (1.4404 / 316L); plug: PA; lock nuts: stainless steel (1.4404 / 316L)
Full-metal housing		yes
Displays / operating elements		
Display	Switching status	4 x 90° LED, yellow
Accessories		
Accessories (supplied)		lock nuts: 2
Remarks		
Pack quantity		1 pcs.
Electrical connection - plug		
Connector: 1 x M12; Contacts: gold-plated		

# IGC249

## Inductive full-metal sensor

IGK34,5-BPKG/AM/US-104-DPS/K0



### Connection

