

OMIT CENTER TERMINAL  
SINGLE PHASE ONLY

KVAR	240 V 1 PHASE (OMIT CENTER TERMINAL)		
	CAT. NO.	H (IN.)	WT (LBS)
20	MMPB0020D12	11.50	26.1
25	MMPB0025D12	13.50	31.3
30	MMPB0030D12	15.50	36.5

KVAR	240 V 3 PHASE		
	CAT. NO.	H (IN.)	WT (LBS)
20	MMPB0020D33	11.50	26.1
25	MMPB0025D33	13.50	31.3
30	MMPB0030D33	15.50	36.5

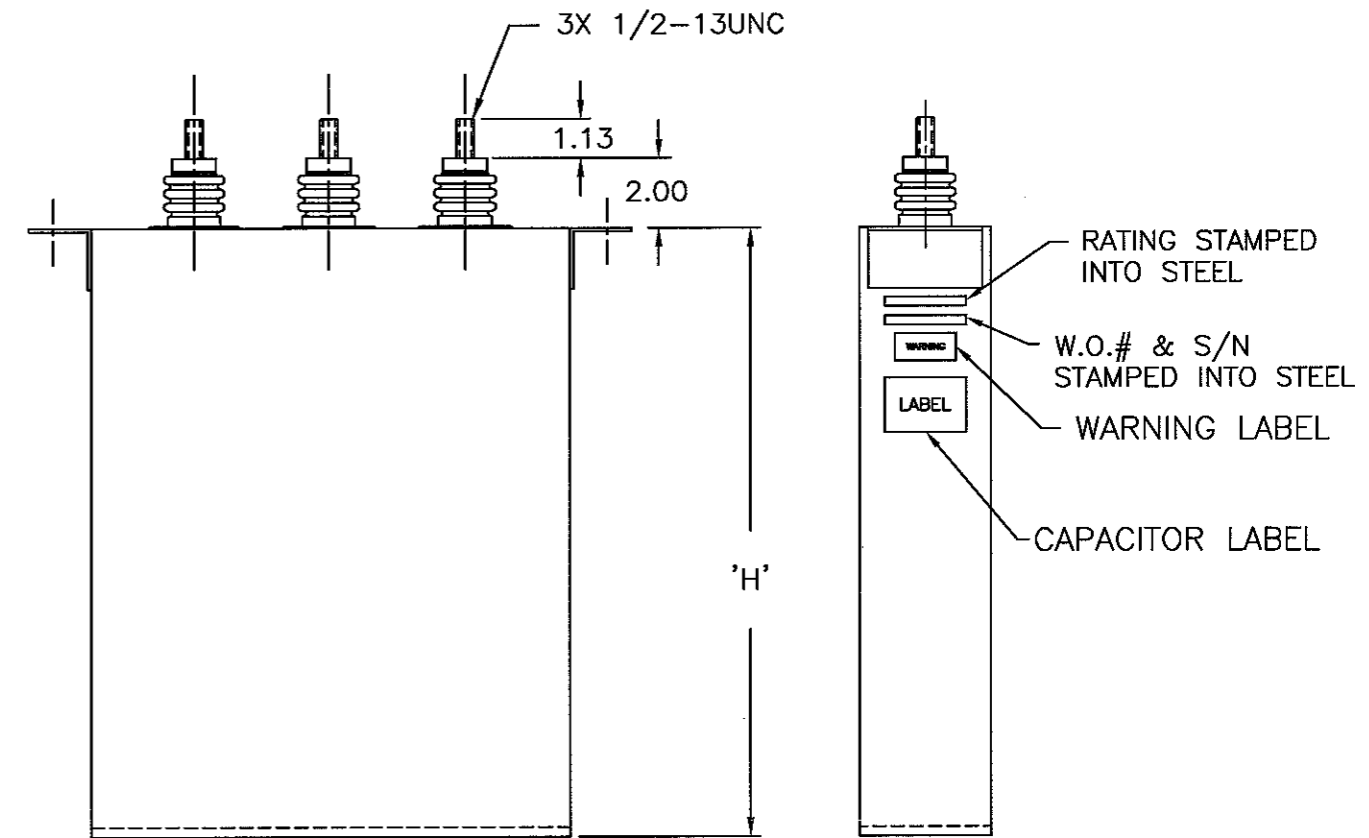
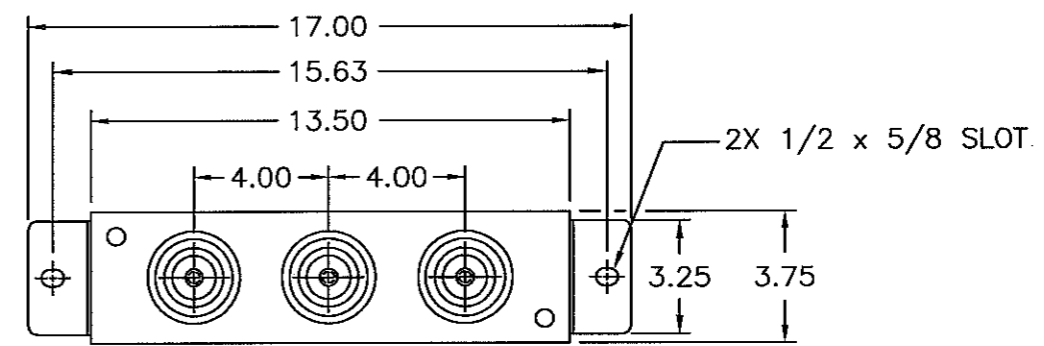
KVAR	480 V 1 PHASE (OMIT CENTER TERMINAL)		
	CAT. NO.	H (IN.)	WT (LBS)
20	MMPB0020C12	7.50	19.4
20	MMPB0020F12	7.50	19.4
25	MMPB0025C12	8.50	21.4
25	MMPB0025F12	8.50	21.4
30	MMPB0030C12	9.50	23.5
30	MMPB0030F12	9.50	23.5
35	MMPB0035C12	11.50	28.1
35	MMPB0035F12	11.50	28.1
40	MMPB0040C12	11.50	28.3
40	MMPB0040F12	11.50	28.3
45	MMPB0045C12	13.50	32.2
45	MMPB0045F12	13.50	32.2
50	MMPB0050C12	13.50	32.3
50	MMPB0050F12	13.50	32.3
60	MMPB0060C12	15.50	36.4
60	MMPB0060F12	15.50	36.4

KVAR	480 V 3 PHASE		
	CAT. NO.	H (IN.)	WT (LBS)
20	MMPB0020C33	7.50	19.4
20	MMPB0020F33	7.50	19.4
25	MMPB0025C33	8.50	21.4
25	MMPB0025F33	8.50	21.4
30	MMPB0030C33	9.50	23.5
30	MMPB0030F33	9.50	23.5
35	MMPB0035C33	11.50	28.1
35	MMPB0035F33	11.50	28.1
40	MMPB0040C33	11.50	28.3
40	MMPB0040F33	11.50	28.3
45	MMPB0045C33	13.50	32.2
45	MMPB0045F33	13.50	32.2
50	MMPB0050C33	13.50	32.3
50	MMPB0050F33	13.50	32.3
60	MMPB0060C33	15.50	36.4
60	MMPB0060F33	15.50	36.4
75	MMPB0075C33	18.50	43.1
75	MMPB0075F33	18.50	43.1
80	MMPB0080C33	19.50	44.6
80	MMPB0080F33	19.50	44.6
90	MMPB0090C33	20.50	45.9
90	MMPB0090F33	20.50	45.9
93	MMPB0093C33PS	20.50	45.9
100	MMPB0100C33	24.00	55.3
100	MMPB0100F33	24.00	55.3

KVAR	600 V 1 PHASE (OMIT CENTER TERMINAL)		
	CAT. NO.	H (IN.)	WT (LBS)
20	MMPB0020H12	7.50	19.4
25	MMPB0025H12	8.50	21.4
30	MMPB0030H12	9.50	23.5
35	MMPB0035H12	11.50	28.1
40	MMPB0040H12	11.50	28.3
45	MMPB0045H12	13.50	32.2
50	MMPB0050H12	13.50	32.3
60	MMPB0060H12	15.50	36.4
75	MMPB0075H12	18.50	43.1

KVAR	600 V 3 PHASE		
	CAT. NO.	H (IN.)	WT (LBS)
20	MMPB0020H33	7.50	19.4
25	MMPB0025H33	8.50	21.4
25	MMPB0025I33	8.50	21.4
30	MMPB0030H33	9.50	23.5
35	MMPB0035H33	11.50	28.1
40	MMPB0040H33	11.50	28.3
45	MMPB0045H33	13.50	32.2
50	MMPB0050H33	13.50	32.3
50	MMPB0050I33	13.50	32.3
60	MMPB0060H33	15.50	36.4
67	MMPB0067I33	18.50	41.1
75	MMPB0075H33	18.50	43.1
75	MMPB0075I33	18.50	43.1
80	MMPB0080H33	19.50	44.6
80	MMPB0080I33	19.50	44.6
90	MMPB0090H33	20.50	45.9
90	MMPB0090I33	20.50	45.9
100	MMPB0100H33	24.00	55.3
100	MMPB0100I33	24.00	55.3

LTR	REVISION	BY	DATE	APPR
G	TYPO; 20.50 WAS 20.00	HC	5/01/03	HC
H	ADD MMPB00P3C33PS	GG	10/31/03	MA
I	FIX TYPO IN P/N MMPB0093C33PS	GG	4/16/04	PW
J	ADD P/N MMPB0067133 AND MMPB0080133	GG	7/9/04	ph



INTERPRET DRAWING PER ASME Y14.5M-1994

UNLESS OTHERWISE SPECIFIED	DRAWN BY	H.CANHA	10/21/99
DRAWING IN INCHES	CHECKED BY	A.TILLER	10/21/99
.000 ± .07	APPROVED BY	H.CANHA	10/21/99
.00 ± .13	USED ON		
FRACTIONS ± 1/32	MMPB		
ANGLES ± 0°30'			

**Aerovox®**  
 Division of Parallax Power Components  
 167 JOHN VERTENTE BLVD., NEW BEDFORD, MA 02745 USA

TITLE: CAPACITOR OUTLINE

CAD NO.	SCALE	SHEET 1 OF 1	THIRD ANGLE PROJECTION	DWG. NO.	REV.
1730J	1/4			49933-1730	J

STAMPING INFO:  
 RATING: M + KVAR + VOLT CODE + # PHASES + # TERM'S + DATE CODE  
 i.e. M100F33(YR/WK)  
 S/N = DERIVED FROM QUANTITY PER WORK ORDER, i.e. 1,2,3 ETC TO WO QUANTITY.

NOTICE: THIS DOCUMENT, THE PROPERTY OF AEROVOX AND RETURNABLE UPON REQUEST, MUST NOT BE REPRODUCED OR INFORMATION HEREIN TRANSMITTED IN ANY WAY WITHOUT WRITTEN CONSENT FROM THIS COMPANY. PATENTS HAVE BEEN GRANTED AND PATENT APPLICATIONS ARE PENDING OR IN PROCESS OF PREPARATION ON ALL OF OUR DEVELOPMENTS. 9/29/97