

CHARACTERISTICS

ELECTRICAL:

RATINGS: SEA LEVEL	
LOAD	28VDC-115VAC
RESISTIVE	10 AMPS
INDUCTIVE	5 AMPS
LAMP	3 AMPS

ELECTRICAL LIFE: 100,000 CYCLES

MECHANICAL:

TOTAL TRAVEL: .085±.015 (C)
 OVERTRAVEL: .012 MIN.
 RESET TRAVEL: .012 MIN.
 MOVEMENT DIFFERENTIAL: .015 MIN.
 OPERATING FORCE: 4 LBS.±1 LB.
 RESET FORCE: 1 LB. MIN.
 MECHANICAL LIFE: 1,000,000 CYCLES

PHYSICAL:

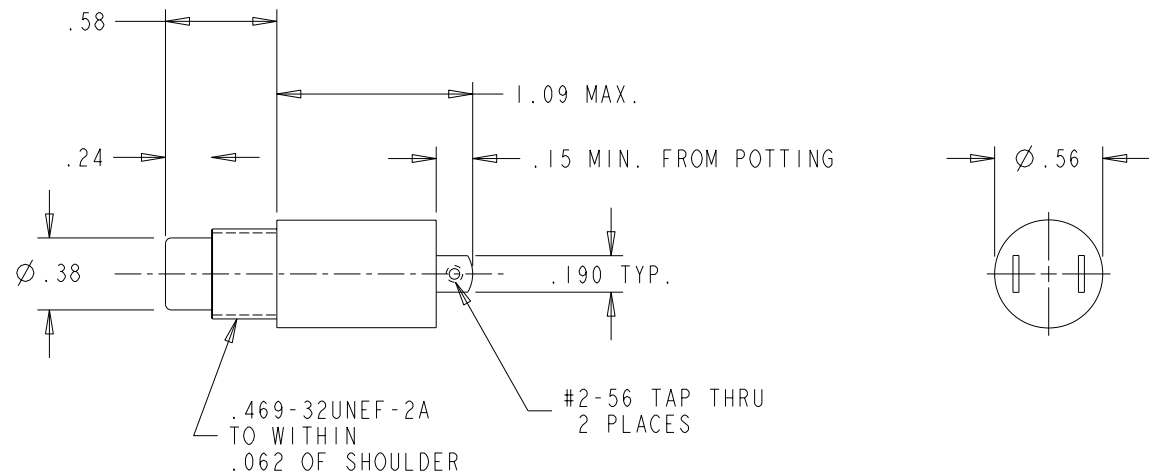
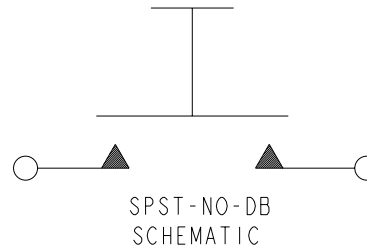
TEMPERATURE RANGE: -55°C TO +85°C
 ENCLOSURE DESIGN: DUSTTIGHT, PER IP64 (C)
 BUTTON: NYLON, RED
 CASE: BLACK ANODIZED, ALUMINUM ALLOY

MOUNTING HARDWARE INCLUDES:
 HEXNUT & LOCKWASHER
 TERMINAL HARDWARE INCLUDES:
 SCREW, LOCKWASHER &
 TERMINAL LUG

MARKING: OTTO, 21649
 P3-90127
 DATE CODE (YYWW)

P3-90127

LET	ECN #	DATE	APR
A	950512	10 FEB 95	RE
B	950714	23 FEB 95	RE
C	000825	21 MAY 99	GP



OTTO CONTROLS
 DIVISION OF
 OTTO ENGINEERING INC.
 CARPENTERSVILLE, ILLINOIS USA

PART NAME
 SWITCH, PUSHBUTTON

MINOR MAJOR CRITICAL SPC CRITICAL

UNLESS OTHERWISE SPECIFIED:
 DIMENSIONS ARE IN INCHES.
 TOLERANCES ARE AS LISTED.
 MUST BE FREE FROM BURRS
 AND SHARP EDGES.

TOLERANCES
 .XX ±.03
 .XXX ±.010
 ANGLES ±2°
 DO NOT SCALE DRAWING.
 THIRD ANGLE PROJECTION

THIS DOCUMENT IS THE CONFIDENTIAL
 PROPERTY OF OTTO ENGINEERING, INC..
 IT IS PROVIDED ON A RESTRICTED
 BASIS AND IS NOT TO BE USED IN ANY
 WAY DETRIMENTAL TO THE INTERESTS
 OF OTTO ENGINEERING, INC..

DRWN. CC	SIZE	FSCM NO	DRAWING NO.	REV.
CHKD. RE	A	21649	P3-90127	C
APPD. RG				
DATE 10 FEB 95	WT.	SCALE 1:1	SHEET 1 OF 1	