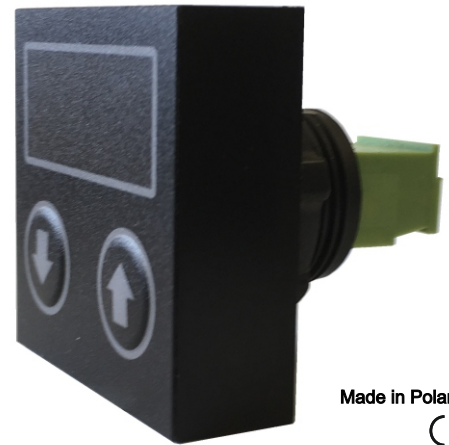


DIGITAL POTENTIOMETERS CM22 SERIES



Made in Poland
CE

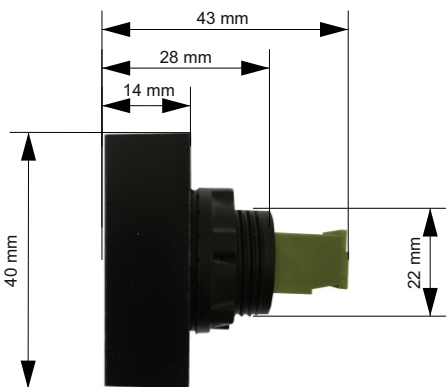
Features

Small dimensions
Easy installation, opening $\varnothing 22,5\text{mm}$
Ingress protection IP65
Programmable range of indications, position of decimal point, minus sign
Programmable range of voltage, current
Programmable start value
High accuracy of indications

Technical data

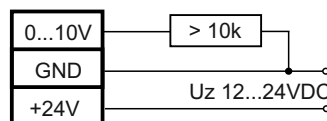
Model	CM22-0-10V-DP	CM22-4-20mA-DP
Output signal	0...10V	4...20mA
Termination resistance	> 10k	< 1k
Accuracy	0,1%	0,2%
Range of indications	-999...9999	
Supply voltage / power consumption	12...24VDC / 100mA	
Assembly	Opening $\varnothing 22,5\text{mm}$	
Connections	Terminal strip 3x1,5mm2	
Operating temperature	-25...60°C	
Ingress protection	IP 65 from front	
Dimensions / weight	40 x 40 x 43 mm / 25 g	

Dimensions

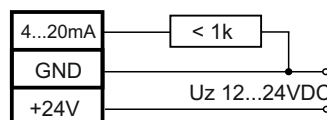


Connection diagram

model CM22-0-10V-DP



model CM22-4-20mA-DP



Programmable parameters

n-00 lower value of indications -999...0...9999 lub 40
n-01 upper value of indications -999...100...9999 lub 200
n-02 position of decimal point 0...3
n-03 minus sign lock 0...1
n-04 start value n-00 ...0...n-01
n-05 lower value of voltage 0...1000 1 point = 0,01V
current 200...1000 1 point = 0,02mA
n-06 upper value of voltage 0...1000
current 200...1000
n-07 menu access lock 0...1

n-05 and n-06 parameters are used for calibration of extreme values

Programming description

Press up/down buttons simultaneously for 2 seconds - n-00 parameter will be shown on the display
select parameter from n-00 to n-07 using up/down button
press up/down buttons simultaneously for 2 seconds once again - value of the parameter will be shown on the display
make changes using up/down buttons
press buttons up/down simultaneously for 0.5 seconds - exit from parameter and settings saving
press buttons up/down simultaneously for 0.5 seconds once again - exit from settings menu
Menu entry unlocking - press up/down button for 2 seconds simultaneously after the power is switched on