
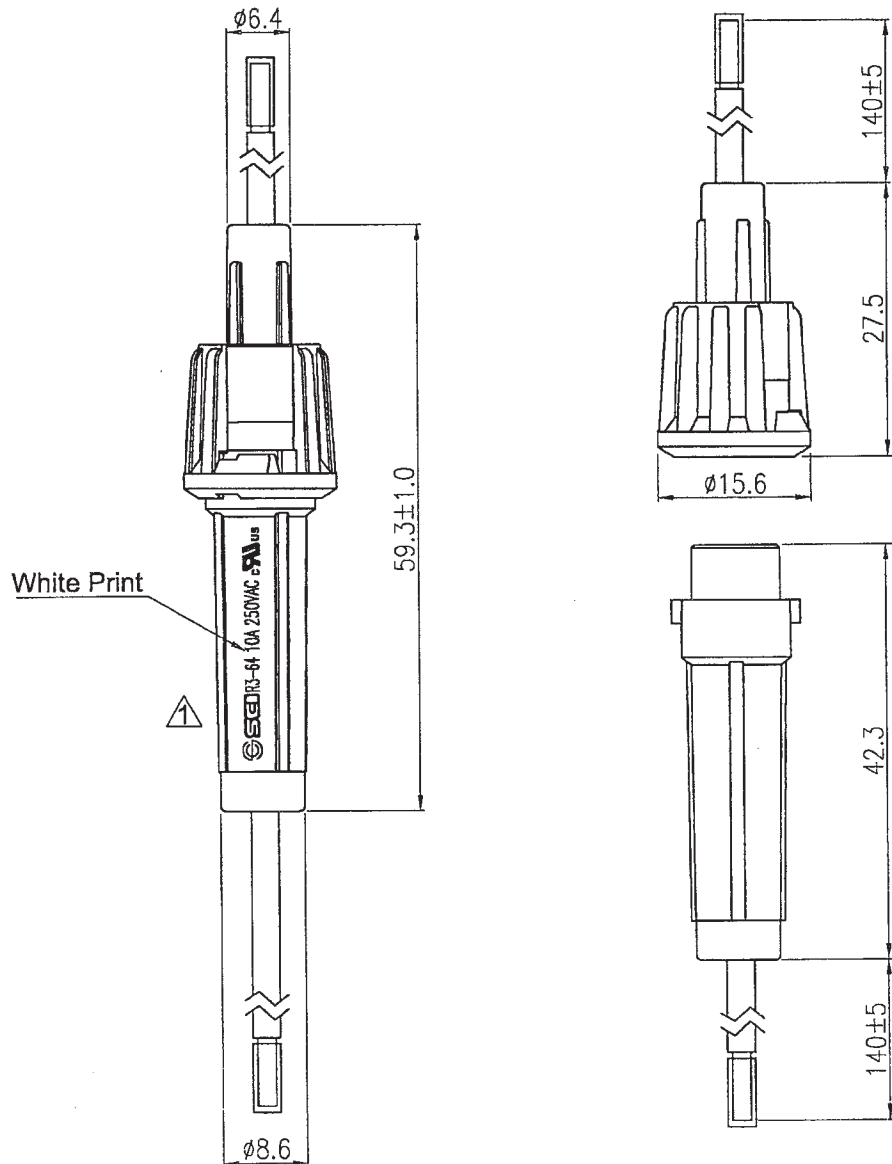



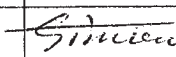

Rating	10A 250V AC 
Insulation Resistance	DC 500V 100M ohm Min
Dielectric Strength	AC 1500V 1 minute
Fuse Size	ø6.3*30mm, ø6.35*32mm

Material:
 Cap and frame: PP3317, Black
 Terminal: brass
 Wire: 16AWG UL1015 Red



原稿
 2013.11.27
 研發部

Tolerances ±0.3 Unless Otherwise Specified

11/11/13	柳新強	依公司規定增加SCI logo, 安規通過  變更為 					
Date	Name	Description				No.	
Drawn	Checked	Approved	SCI BOM No.	1310257	Model Name	FUSE HOLDER	
柳新強			Customer No.		Model No.	R3-64	Rev.
11/11/13		11/12/13	Unit	mm	 Shin Chin Industrial Co., Ltd.		1