

RT380T 230/400 PCB RoHS

Analog three-phase thyristor trigger module

- Two supply voltages: 230 Vac or 400Vac
- Supply with external trafo up to 690 Vac
- Screwless terminal blocks
- Control voltage selectable 0-5/0-10V
- External inhibit input
- 4.000 V galvanic insulation
- Triggers the whole range SEMIKRON
- No external components needed

TECHNICAL SPECIFICATIONS

Supply voltage		230/400 V _{AC} +10% / -15%
Power drain		8 VA max.
Input voltages	INHIBIT-IN	7-16 Vcc
	0-5 V IN	0 - 5 Vcc (15 Vcc max.)
	0-10 V IN	0 - 10 Vcc (15 Vcc max.)
Output signals	+5V OUT	5 Vcc 100 mA max.
Trigger current		600 mA @ V _{GT} = 5V
Isolation		4000Vca inlet/outlet
Working frequency		45-65Hz (automatic adaptation)
Working temperature		5 - 50°C
Humidity		10 - 95% without condensation
Power-on		1 second
Weight		525 g

This module has been designed for triggering 6 thyristors with phase regulation in order to control the power on the load. It is recommended the use of external RC-snubbers to protect the thyristors and to facilitate its triggering.

The load may be supplied with a variable alternating voltage if the 6 thyristors are connected in antiparallel W3C, or with a variable direct voltage if they are connected in B6C, B6HK or B6HKF.

The external thermal trip has to be normally close. If it opens, the module stops, the green LED stops lighting and the red LED lights.

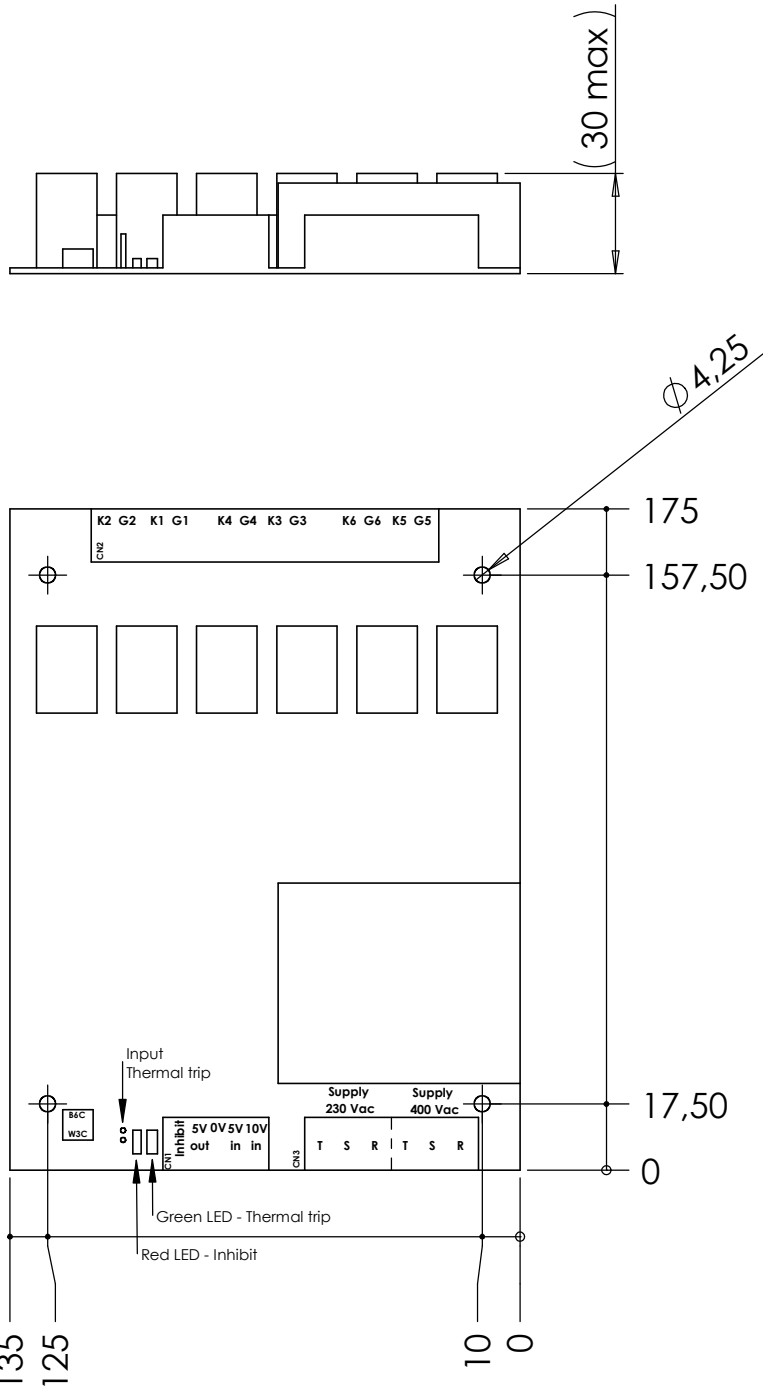
The module has an automatic Power-on delay of approx. 1 second. That means that during the first second the output is inhibited (no pulse output).

It is important to connect the three phases and the outputs of gates and cathodes exactly as shown in the label. Done this, the input phases **of the whole equipment** (module + power) can be connected in the sequence you want.

To select the thyristors connection W3C, the three minidips have to be in W3C position. For a B6C connection, they have to be in B6C position.

An input of +12V (7 to 16V) in the input INHIBIT stops the output of gate pulses and red LED starts lighting. This +12V can be external or using the internal auxiliary 12V_{DC} present at the thermal trip jumper (see drawing).

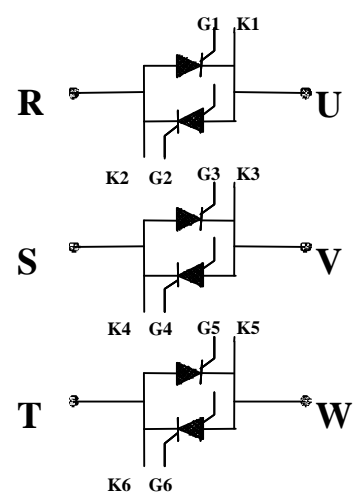
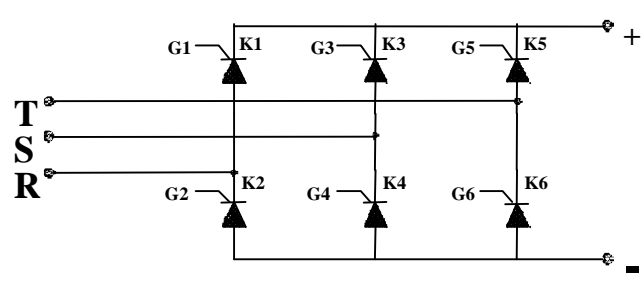
Semikron Electronics SL posee el copyright de este plano.
 Se autoriza su uso única y exclusivamente para el fin para el que ha sido enviado.
 No se permite su reproducción sin el consentimiento escrito previo de los autores.



INPUT THERMALTRIP

Thermaltrip with contacts normally Closed

To inhibit the output pulses connect the +12V of the input thermaltrip to the terminal "INHIBIT"



SEMIKRON	Escala	Material	Denominación		Código	Rev.
	1:2		RT380T 230/400 PCB RoHS		RT380Tpcb	0
Tolerancia	Acabado	Artículo	Dibujado	Revisado	Fecha	
Entre Centros: ±0.25		97492031	CO		29/04/09	
Métrica: ±0.5						

