

AC axial fans - HyBlade®

Ø 800



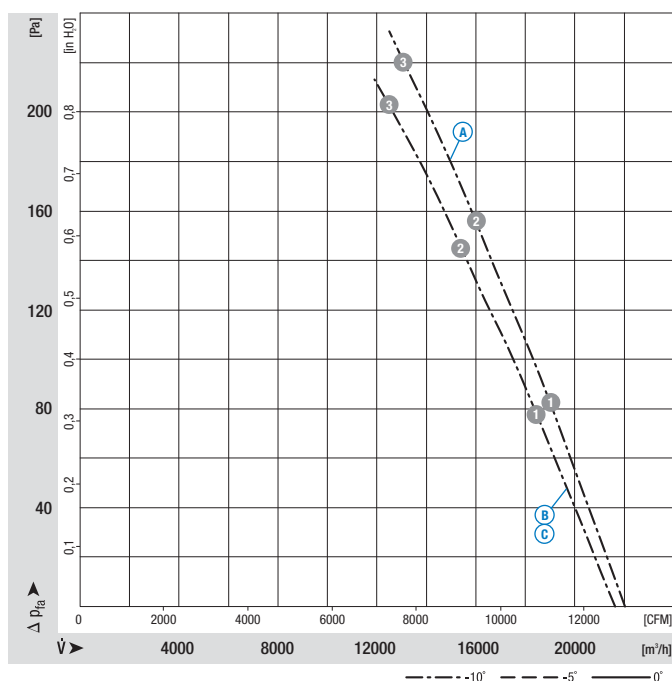
- **Material:** Guard grille: Steel, phosphated and coated in black plastic
Wall ring: Sheet steel, pre-galvanised and coated in black plastic
Blades: Insertion part made of sheet aluminium, extrusion-coated in PP plastics
Rotor: Encased in aluminium
- **Number of blades:** 5
- **Direction of rotation:** Direction of air flow "V" clockwise, direction of air flow "A" counter-clockwise, seen on rotor
- **Type of protection:** IP 54 (in accordance with EN 60529)
- **Insulation class:** "F"
- **Mounting position:** Shaft horizontal or rotor on bottom; rotor on top on request
- **Condensate discharge holes:** Rotor-side
- **Mode of operation:** Continuous operation (S1)
- **Bearings:** Maintenance-free ball bearings

Nominal data		Blade angle	Curve	Nominal voltage	Frequency	Speed ⁽¹⁾	Max. power input ⁽¹⁾	Max. current draw ⁽¹⁾	Capacitor	Max. operative range	Perm. amp. temp.	Electr. connection
Type	Motor			VAC	Hz	rpm	kW	A	µF/VDB	Pa	°C	p. 126
*6D 800	M6D 138-LA	-10°	Ⓐ	3~ 480 Y	60	1100	1.98	3.60	—	220	-40 to +60	F1b)/F2b)
			Ⓑ	3~ 400 Y	60	1050	1.80	3.55	—	200	-40 to +60	
			Ⓒ	3~ 230 Δ	60	1050	1.80	6.15	—	200	-40 to +60	
*6D 800	M6D 138-LA	-5°	Ⓓ	3~ 480 Y	60	1080	2.18	3.80	—	150	-40 to +60	F1b)/F2b)
			Ⓔ	3~ 400 Y	60	1030	1.99	3.78	—	135	-40 to +60	
			Ⓕ	3~ 230 Δ	60	1030	1.99	6.50	—	135	-40 to +60	

subject to alterations

(1) Nominal data in operating point ③ with maximum load

Curves

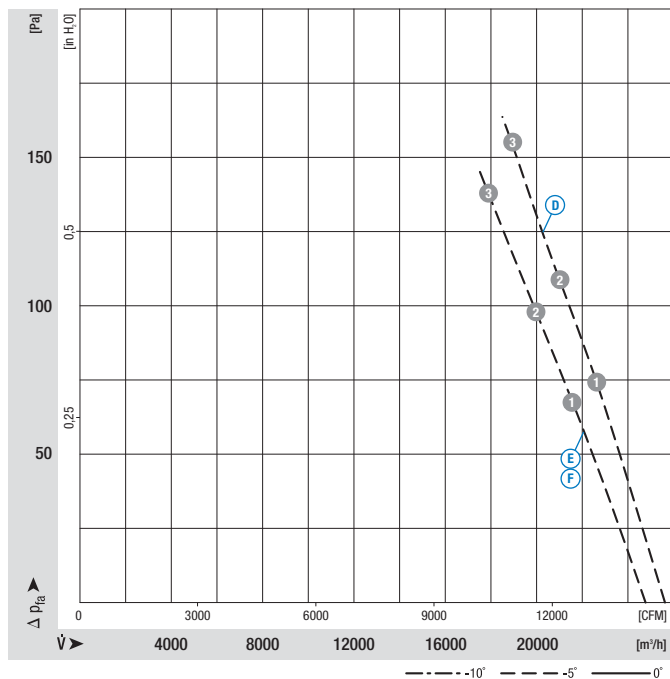


	n [rpm]	P ₁ [kW]	I [A]	L _{wa} [dB(A)]
Ⓐ ①	1130	1.51	3.04	77
Ⓐ ②	1115	1.75	3.30	78
Ⓐ ③	1100	1.98	3.60	80
Ⓑ ①	1100	1.41	2.95	77
Ⓑ ②	1075	1.62	3.27	77
Ⓑ ③	1050	1.80	3.55	79
Ⓒ ①	1100	1.41	5.13	77
Ⓒ ②	1075	1.62	5.69	77
Ⓒ ③	1050	1.80	6.15	79

- **Motor protection:** Design with thermal overload protector
- **Cable exit:** Via terminal box
- **Protection class:** I (in accordance with EN 61800-5-1)
- **Product conforming to standard:** CE
- **Approvals:** UL, VDE (in accordance with EN 60034)

Direction of air flow	< "V"/ "A" >		< "V"/ "A" >		< "V" >		< "V" >		"A" >		"A" >	
	Without attachments		With full square nozzle		With guard grille for full nozzle		With guard grille for short nozzle		With guard grille for full nozzle		With guard grille for short nozzle	
"V" "A"	A6D 800-AF05 -03 A6D 800-AF05 -04	W6D 800-GF05 -03 W6D 800-DF05 -04	S6D 800-CF05 -03 —	S6D 800-AF05 -03 —	— S6D 800-BF05 -04	— —						
"V" "A"	A6D 800-AE05 -03 A6D 800-AE05 -04	W6D 800-GE05 -03 W6D 800-DE05 -04	S6D 800-CE05 -03 —	S6D 800-AE05 -03 —	— S6D 800-BE05 -04	— —						

Curves



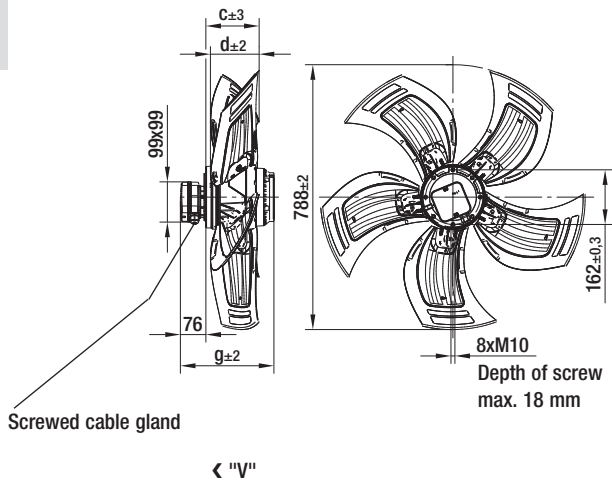
	n [rpm]	P ₁ [kW]	I [A]	L _{wa} [dB(A)]
D 1	1100	1.91	3.59	75
D 2	1090	2.03	3.72	74
D 3	1080	2.18	3.80	76
E 1	1060	1.74	3.47	74
E 2	1040	1.85	3.64	73
E 3	1030	1.99	3.78	75
F 1	1060	1.74	6.01	74
F 2	1040	1.85	6.30	73
F 3	1030	1.99	6.50	75

AC axial fans - HyBlade®

Ø 800, drawings for direction of air flow "V"



Without attachments



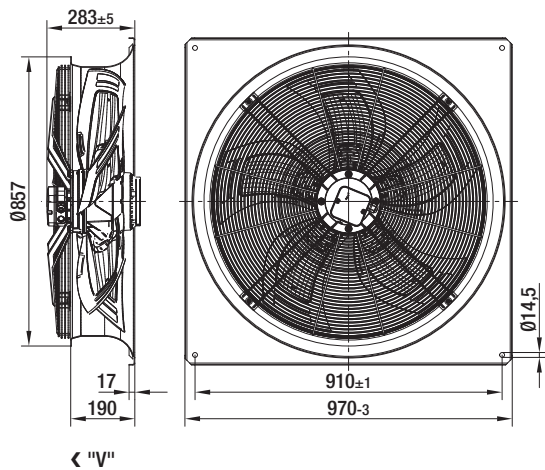
Screwed cable gland

Type	Mass [kg]	c	d	g
A6D 800-AF05 -03	23.0	143.0	112.0	277.0
A6D 800-AE05 -03	23.0	150.0	130.0	277.0
A8D 800-AI09 -03	19.0	143.0	112.0	252.0
A8D 800-AD05 -03	23.0	158.0	143.0	277.0
AZD 800-AG07 -03	19.0	158.0	143.0	252.0

Internal diameter of the wall ring at least 795 mm



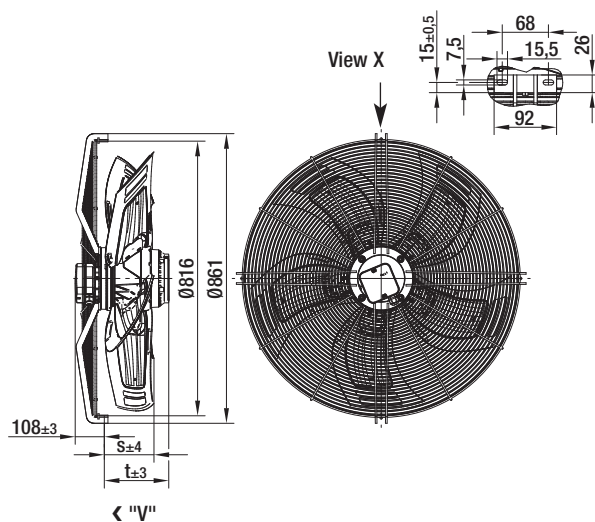
With full square nozzle



Type	Mass [kg]
W6D 800-GF05 -03	44.2
W6D 800-GE05 -03	44.2
W8D 800-GI09 -03	40.2
W8D 800-GD05 -03	44.2
WZD 800-GG07 -03	40.2



With guard grille for full nozzle

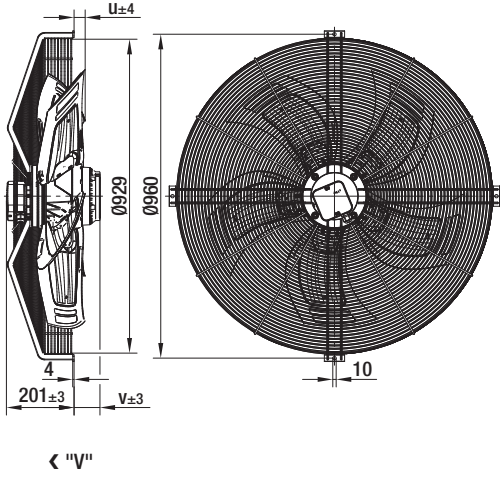


Type	Mass [kg]	s	t
S6D 800-CF05 -03	29.7	111.0	169.0
S6D 800-CE05 -03	29.7	118.0	169.0
S8D 800-CI09 -03	25.7	111.0	144.0
S8D 800-CD05 -03	29.7	127.0	169.0
SZD 800-CG07 -03	25.7	127.0	144.0

Internal diameter of the wall ring at least 795 mm



With guard grille for short nozzle



Type	Mass [kg]	u	v
S6D 800-AF05 -03	30.0	18.0	76.0
S6D 800-AE05 -03	30.0	25.0	76.0
S8D 800-AI09 -03	26.0	18.0	51.0
S8D 800-AD05 -03	30.0	34.0	76.0
SZD 800-AG07 -03	26.0	34.0	51.0

Internal diameter of the wall ring at least 795 mm