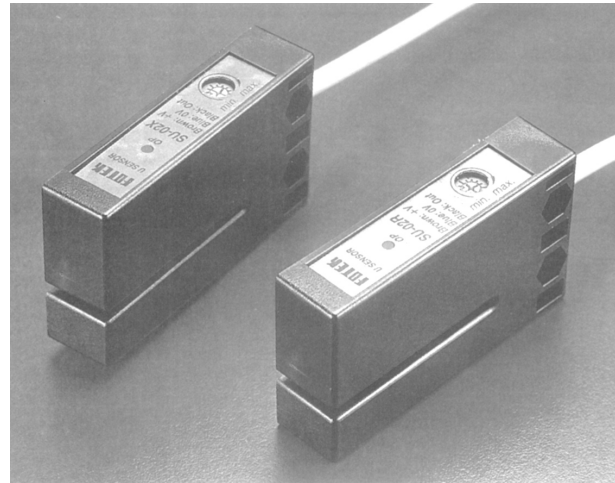


HIGH SPEED U TYPE LABEL SENSOR

SU-02 series

- ※ High Speed Response : 10 KHZ
- ※ Label Non - Transparent Tape Detectable.
< SU-02X >
- ※ Mark ON Transparent Tape Detectable.
< SU-02R >
- ※ Suiting For Label Machine or Packing Machine.



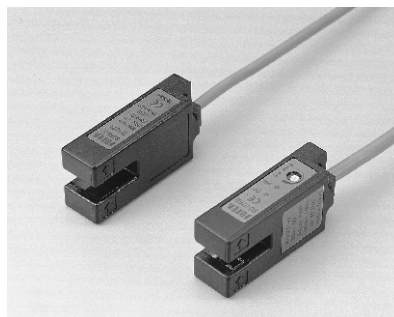
Specification

Model	SU-02X	SU-02XP	SU-02R	SU-02RP
Output Method	NPN	PNP	NPN	PNP
Emitter	Infrared LED		Red LED	
Operating Voltage	10~30 VDC ; Current Consumption 40mA max.			
Output Current	150mA max.			
Output Status	NO			
Sensible Object	Non - Transparent Object		Transparent Object	
Response Frequency	10KHZ			
Illumination	Lamplight < 3,000 Lux ; Sunlight < 5,000 Lux.			
Connection Method	3 Cores / 4.0φ X 2m			
Housing Material	PC Plastics			
Operating Temp./Hum.	-20 C~+70 C ; 35%~85% RH			
Sensitivity Adjuster	270 Trimmer			
Output Circuit & Connection Diagram	<p>NPN</p>		<p>PNP</p>	
Dimension				
	Weight : 65g			

U TYPE HIGH SPEED GEAR SENSOR

SU-07X series

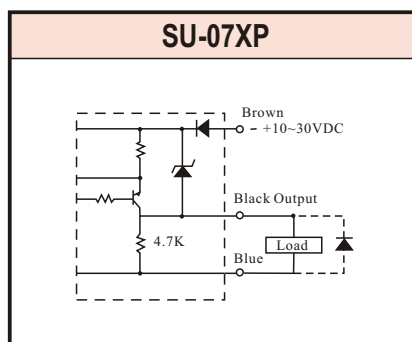
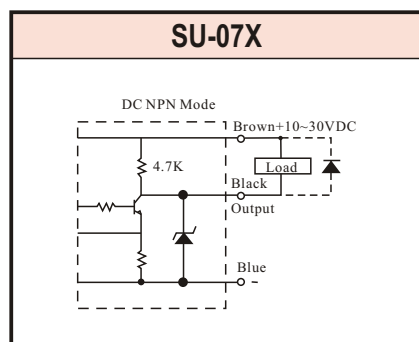
- ※ HIGH SPEED RESPONSE : 5 KHz
- ※ HIGH STABILITY & RELIABILITY
- ※ LOW COST & HIGH QUALITY



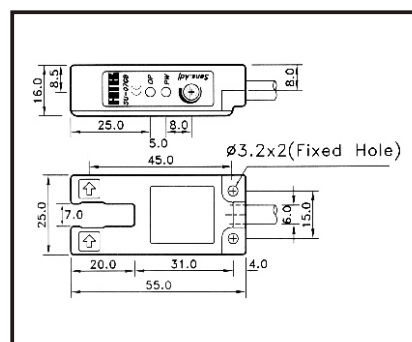
SPECIFICATION

Model	型號	SU-07X	SU-07XP
Output method	輸出方式	NPN	PNP
Operating voltage	工作電壓	10-30 VDC; Ripple < 20% of peak to peak	
Current consumption	消耗電流	30 mA max.	
Output current	輸出電流	150 mA max.	
Protection circuit	保護迴路	Short Circuit & Polarity Reversed Protection	
Emitter	發射光源	Infrared Led	
Min.sensible object	最小可檢測物	1.0 ϕ	
Response frequency	響應頻率	5 K Hz	
Illumination	耐外亂光	Lamplight < 5000 LUX ; Sunlight < 10,000 LUX	
Connection method	接線方式	4 ϕ / 3 ϕ X 2m	
Housing material	外殼材質	Intensive ABS	
Operating temp/hum	工作環境	-20°C ~ + 70°C ; 35% ~ 85 % RH	
Protection	保護等級	IP-65	

Output Circuit & Connection Diagram



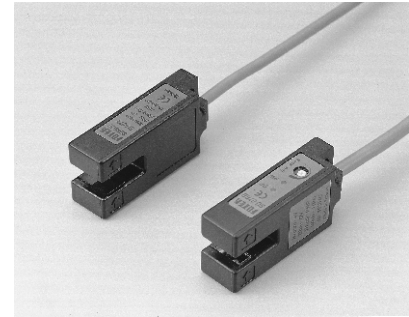
Dimension



SU-07 series

U TYPE MARK & LABEL SENSOR

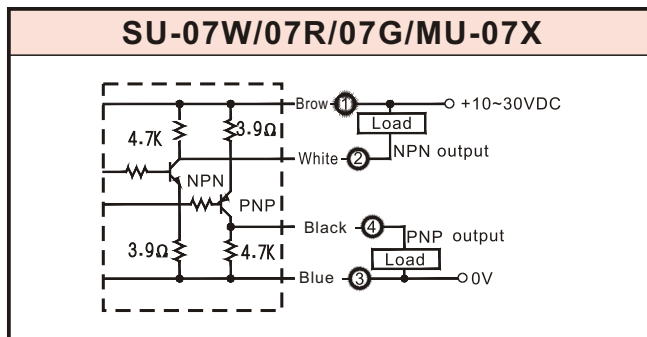
- ※ WHITE LIGHT MARK SENSOR
- EASY TO DETECT THE "REEN" OR "RED" MARK
- ※ HIGH STABILITY & RELIABILTY
- ※ LOW COST & HIGH QUALITY



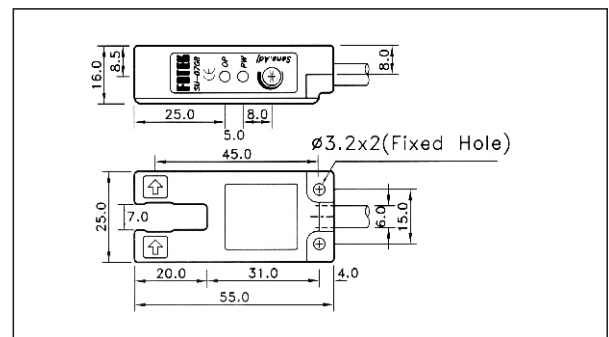
SPECIFICATION

TYPE 型式	MARK SENSOR			LABEL SENSOR
Model 型號	SU-07W	SU-07G	SU-07R	MU-07X
Emitter 發射光源	White Led	Green Led	Red Led	Infrared Led
Operating voltage 工作電壓	10-30 VDC; Ripple < 20% of peak to peak			
Current consumption 消耗電流	30 mA max.			
Sensitivity adjuster	270° Trimmer			
Output method 輸出方式	NPN & PNP two output			
Output current 輸出電流	150 mA max.			
Output status 輸出狀態	Standard : NO Type ; SU-07 -B : NC Type			
Protection circuit 保護迴路	Short Circuit & Polarity Reversed Protection			
Sensible object 可被檢測物	Transparent Object			Semi-Transparent
Min.sensible object 最小可檢測物	2.0 φ			
Response frequency 響應頻率	1 K Hz			
Illumination 耐外亂光	Lamplight <5000 LUX ; Sunlight < 10,000 LUX			
Connection method 接線方式	4 φ / 4 φ X 2m			
Housing material 外殼材質	Intensive ABS			
Operating temp/hum 工作環境	-20°C ~ + 60°C ; 35% ~ 85 % RH			
Protection 保護等級	IP-65			

Output Circuit & Connection Diagram



Dimension



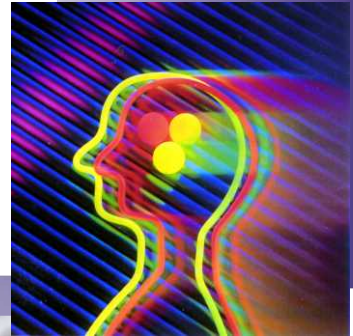
FOTEK

U type
Photo sensor

SU-30 series 

- ◆ Aluminum alloy housing
- ◆ High reliability
- ◆ NO/NC changeable

- ◆ 鋁合金外殼
- ◆ 高可靠度
- ◆ NO / NC 可選擇

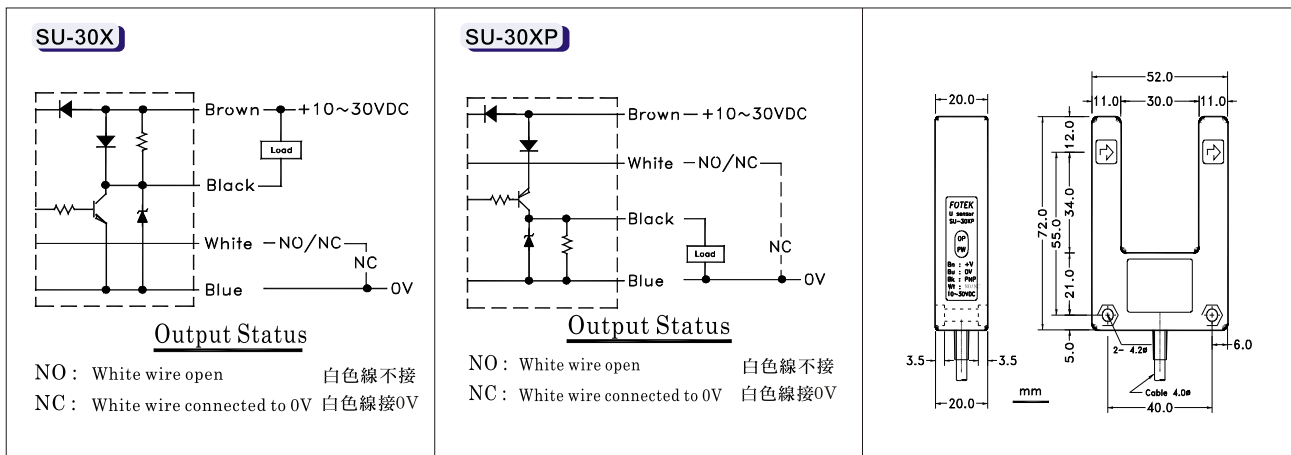


陽明電機股份有限公司
FOTEK CONTROL CO., LTD.

◆ Specification / 規格

Model	型號	SU-30X	SU-30XP
Output method	輸出方式	NPN	PNP
Detecting distance	開口寬度	30mm	
Emitter	發射光源	Infrared LED	
Detectable object	最小檢測物	Opaque object 4.0 φ min.	
Sensitivity adjuster	感度調整	non	
Operating voltage	工作電壓	10 ~ 30VDC	
Ripple of power	電源漣波	20% peak to peak	
Current consumption	消耗電流	30mA max.	
Response time	反應時間	1.0 ms max.	
Output status	輸出狀態	NO/NC changeable	
Output current	輸出電流	150mA max.	
Residual voltage	殘留電壓	0.1V max.	
Leakage current	洩露電流	0.8mA max.	
Protection circuit	保護電路	Short circuit & polarity reversed protection	
Housing material	外殼材質	Aluminum alloy / 鋁合金	
Noise resistance	抗干擾	2kv/1 μs	
Dielectric strength	電介強度	2.5kv / 1 minute min.	
Insulation strength	絕緣強度	100 MΩ / 500vdc	
Operating circumstance	工作環境	-20°C ~ +80°C ; 35% ~ 85% RH	
Protection class	保護等級	IP-65	
Approval	認證	CE	

◆ Output circuit & connection diagram & Dimension / 輸出回路 & 接線圖 & 外形圖



陽明電機股份有限公司
FOTEK CONTROL CO., LTD.

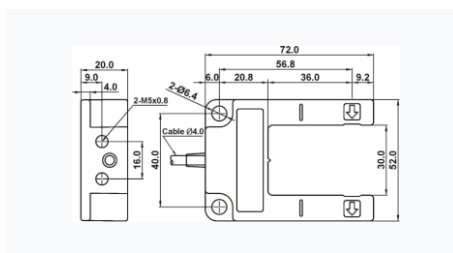
- * 高效率發射IR LED延長壽命
- * 採用調變回路有效提升穿透力及抗干擾力
- * 超強耐外亂光，不受一般照明燈光干擾
- * 超強穿透力可有效防塵防污
- * 防水等級：IP-66



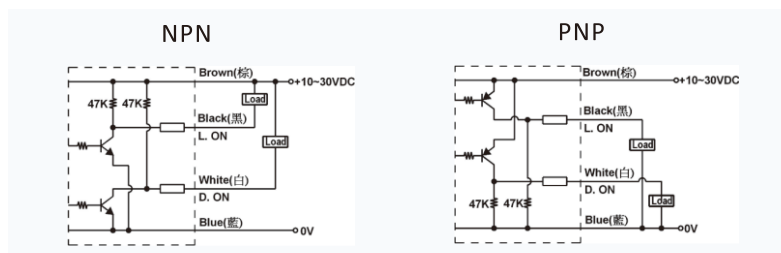
Specification / 規格

Model	型號	KU-30N	KU-30P
Output method	輸出方式	NPN NO / NC (two output)	PNP NO / NC (two output)
Sensing distance		30.0mm	
Sensible object		Non-transparent object 5.0 ϕ min.	
Operating voltage	工作電壓	10 ~ 30 VDC	
Current consumption	耗電流	20mA max.	
Output current	輸出電流	150 mA max.	
Light source		Infrared LED	
Response time		1 ms max.	
Protection circuit	保護回路	Short circuit & polarity reversed	
Voltage drop	輸出壓降	0.8V max.	
Residual voltage	殘餘電壓	0.1V max.	
Leakage current	洩漏電流	0.1mA max.	
EMC Immunity		ESD : 8 KV Air Discharge (Level3) / EN-61000-4-2 ; RF Interference : 10V / M / ENV-50140 ; Burst test : 2KV / EN61000-4-4	
Protection class		IP-66	
Dielectric strength	電介強度	2.5kv / 1 minute min.	
Insulation strength	絕緣強度	100 M Ω / 500vdc	
Approval	安規	CE / RoHS	
Illumination	耐外亂光	Sunlight > 20,000 Lux. ; Lamplight > 5,000 Lux.	
Operating temp	使用環境	- 20 C ~ +80 ; 35 ~ 85%RH	
Cable	出線	4 /4C-2m (26AWG)	
Housing material	外殼材質	Intensive Polyimid(UL-94V0)	

Outline dimension / 外形尺寸



Connection diagram / 接線圖



Notice of using / 使用注意事項

1. 請勿使用溶劑擦拭傳感器鏡頭。
(Please clean the Lens with the dry cloth , but don't use solvent.)
2. 請勿安裝在有腐蝕性氣體的環境。
(Please don't install in the corrosive circumstance.)
3. 避免太陽光或滷光燈直接照射接收器。
(Please avoid from the sun light or spotlight direct raying.)