

TRANSISTOR MODULE

QCA50AA100

TOP



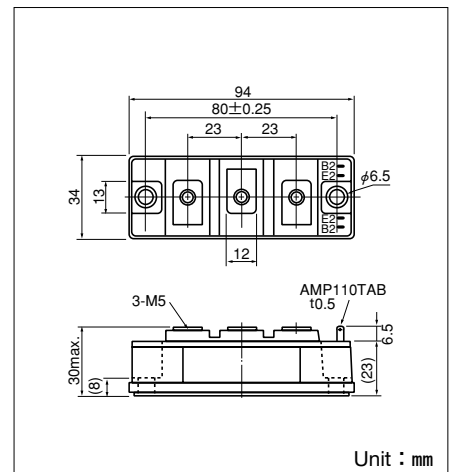
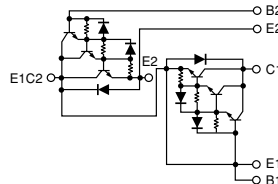
UL;E76102 (M)

QCA50AA100 is a dual Darlington power transistor module which has series-connected high speed, high power Darlington transistors. Each transistor has a reverse paralleled fast recovery diode. The mounting base of the module is electrically isolated from semiconductor elements for simple heatsink construction,

- $I_C=50A$, $V_{CEX}=1000V$
- Low saturation voltage for higher efficiency.
- High DC current gain h_{FE}
- Isolated mounting base

(Applications)

Motor Control (VVF), AC/DC Servo, UPS,
Switching Power Supply, Ultrasonic Application



Maximum Ratings

($T_j=25^{\circ}C$ unless otherwise specified)

Symbol	Item	Conditions	Ratings		Unit
			QCA50AA100		
V_{CBO}	Collector-Base Voltage		1000		V
V_{CEX}	Collector-Emitter Voltage	$V_{BE}=-2V$	1000		V
V_{EBO}	Emitter-Base Voltage		7		V
I_C	Collector Current		50		A
$-I_C$	Reverse Collector Current		50		A
I_B	Base Current		3		A
P_T	Total power dissipation	$T_C=25^{\circ}C$	400		W
T_j	Junction Temperature		-40 to +150		$^{\circ}C$
T_{stg}	Storage Temperature		-40 to +125		$^{\circ}C$
V_{ISO}	Isolation Voltage	A.C.1minute	2500		V
	Mounting Torque	Mounting (M6)	Recommended Value 2.5-3.9 (25-40)	4.7 (48)	N·m (kgf·cm)
		Terminal (M5)	Recommended Value 1.5-2.5 (15-25)	2.7 (28)	
	Mass	Typical Value	210		g

Electrical Characteristics

Symbol	Item	Conditions	Ratings		Unit
			Min.	Max.	
I_{CBO}	Collector Cut-off Current	$V_{CB}=1000V$		1.0	mA
I_{EBO}	Emitter Cut-off Current	$V_{EB}=7V$		200	mA
$V_{CEX(SUS)}$	Collector Emitter Sustaining Voltage	$I_C=10A, I_B=-3A$	1000		V
h_{FE}	DC Current Gain	$I_C=50A, V_{CE}=2.8V$	75		
		$I_C=50A, V_{CE}=5V$	100		
$V_{CE(sat)}$	Collector-Emitter Saturation Voltage	$I_C=50A, I_B=1A$		2.5	V
$V_{BE(sat)}$	Base-Emitter Saturation Voltage	$I_C=50A, I_B=1A$		3.5	V
t_{on}	Switching Time	On Time		2.5	μs
t_s		Storage Time	$V_{CC}=600V, I_C=50A$ $I_{B1}=1A, I_{B2}=-1A$	15.0	
t_f		Fall Time		3.0	
V_{ECO}	Collector-Emitter Reverse Voltage	$-I_C=50A$		1.8	V
$R_{th(j-c)}$	Thermal Impedance (junction to case)	Transistor part		0.31	$^{\circ}C/W$
		Diode part		1.2	

