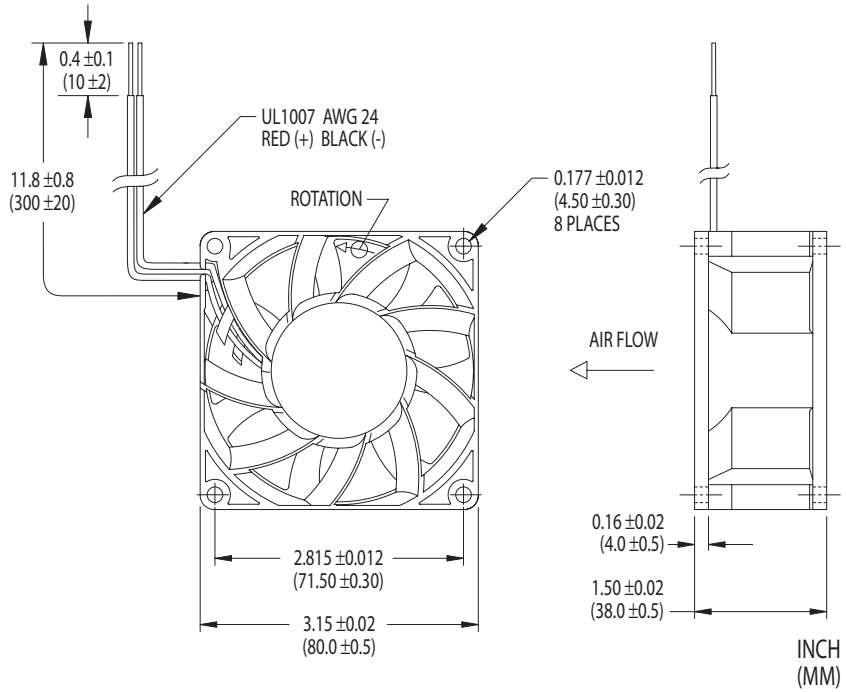


80×38mm



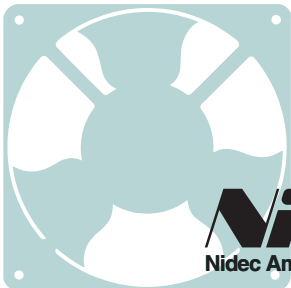
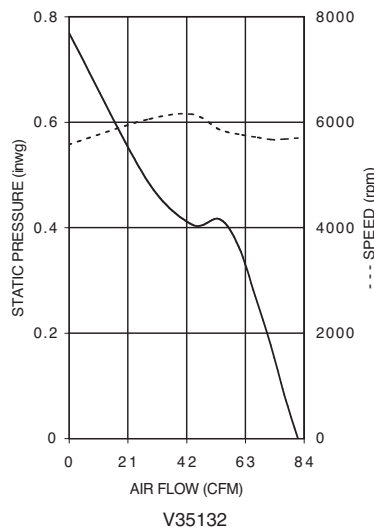
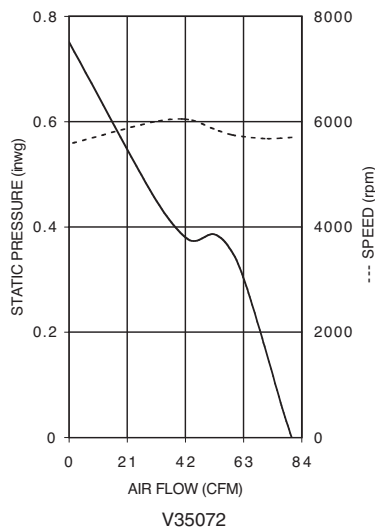
Unit weight = 6.3 oz. (179g)

- Advanced Vane Axial Design for Optimal Air Delivery at Elevated Pressure Levels
- Polarity Protected
- Strut Side Discharge
- Permanently Lubricated Ball Bearings
- Alarm/Tachometer Options Available
- Sound-Absorbing Thermoplastic Frame and Impeller Rated V-0

VA300DC Series—Electrical and Mechanical Characteristics

| Model | Air Flow (CFM) | Operating Voltage | | Current (mA) | Power (W) | Sound Level | | Fan Speed (rpm) | Bearing | Operating Temp. | |
|--------|----------------|-------------------|-----------|--------------|-----------|----------------|-------------|-----------------|---------|-----------------|-----------|
| | | Nom. (V) | Range (V) | | | Pressure (dBA) | NPEL (Bels) | | | Min. (°C) | Max. (°C) |
| V35072 | 80 | 12 | 10.2-13.8 | 900 | 10.8 | 53.0 | 6.8 | 5,700 | Ball | -10 | +70 |
| V35132 | 80 | 24 | 20.4-27.6 | 450 | 10.8 | 53.0 | 6.8 | 5,700 | Ball | -10 | +70 |

Note: Air flow, current, power, speed and sound level ratings are at nominal voltage against zero static pressure. NPEL = Noise Power Emission Level. Power termination and signal options are designated by two-digit suffixes added to the model names: For color-coded 300mm power leads with stripped ends, add "-16" to the model numbers.



Nidec
Nidec America Corporation

phone 781-848-0970 · email fans@nidecamerica.com · www.nidecamerica.com