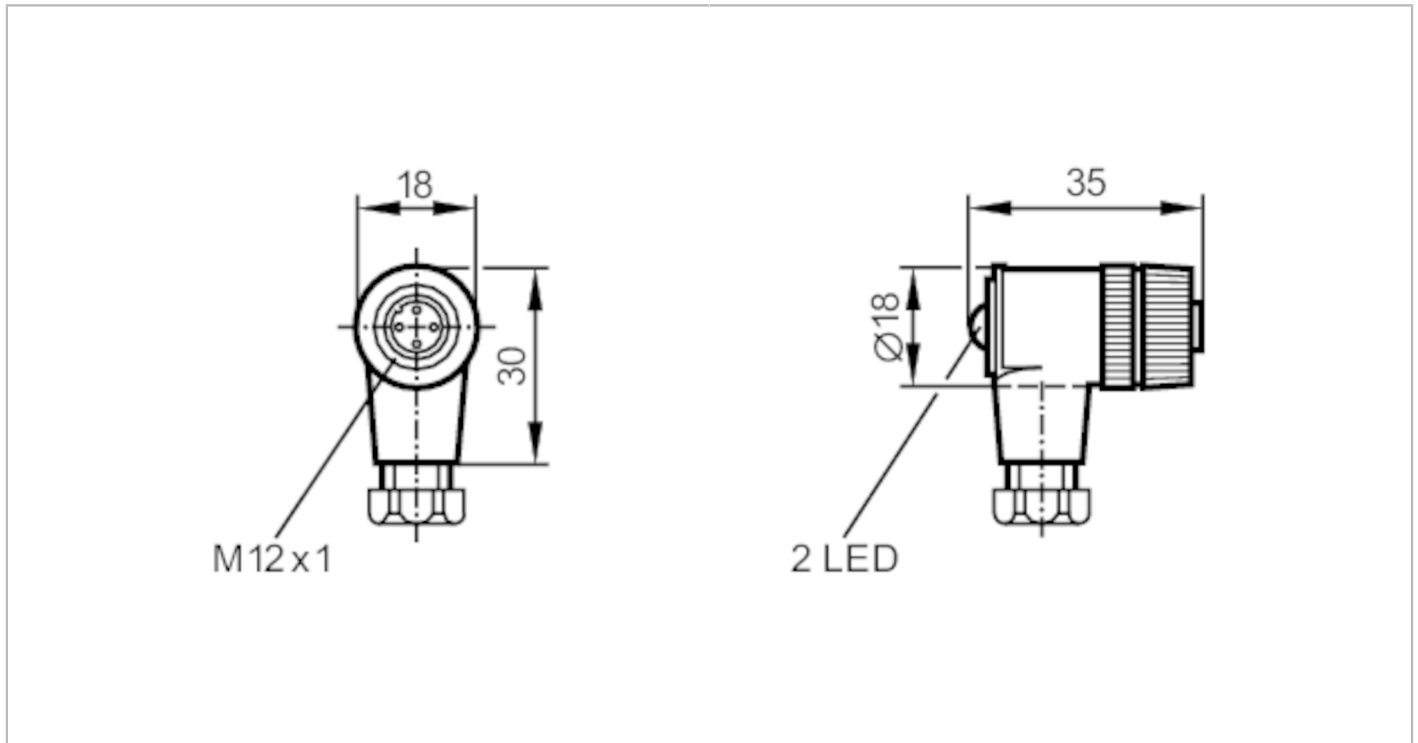


E11510



Wirable socket

SDOAH042MSSFKPG



Application		
Free from silicone		yes
Electrical data		
Operating voltage	[V]	10...30 DC
Max. current load total	[A]	4; (...40 °C)
Outputs		
Electrical design		PNP
Operating conditions		
Ambient temperature	[°C]	-25...85
Protection		IP 68
Mechanical data		
Weight	[g]	28.6
Dimensions	[mm]	30 x 18 x 35
Materials		PA
Material nut		brass
Displays / operating elements		
Display	switching status	1 x LED, yellow
	operation	1 x LED, green
Remarks		
Pack quantity		1 pcs.
Electrical connection		
screw terminals: ...0.75 mm ² ; Cable sheath: Ø 4...6 mm		
Electrical connection - socket		
Connector: 1 x M12, angled; Moulded body: PA; Locking: brass, nickel-plated; Contacts: gold-plated		

E11510

Wirable socket

SDOAH042MSSFKPG



Connection

