

# Current Mode PWM Controller

## FEATURES

- Optimized for Off-line and DC to DC Converters
- Low Start Up Current (<0.5mA)
- Trimmed Oscillator Discharge Current
- Automatic Feed Forward Compensation
- Pulse-by-Pulse Current Limiting
- Enhanced Load Response Characteristics
- Under-Voltage Lockout With Hysteresis
- Double Pulse Suppression
- High Current Totem Pole Output
- Internally Trimmed Bandgap Reference
- 500kHz Operation
- Low Ro Error Amp

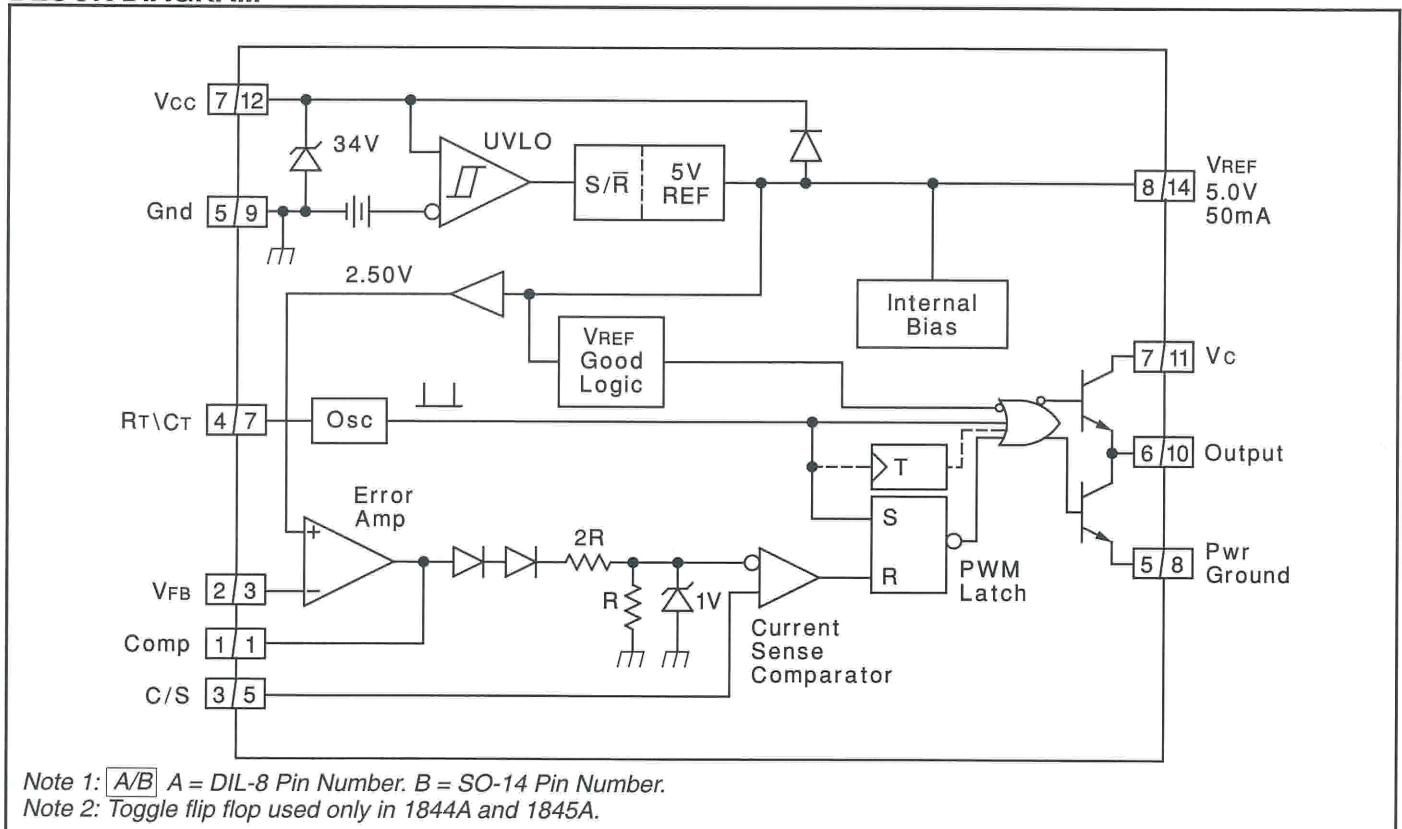
## DESCRIPTION

The UC1842A/3A/4A/5A family of control ICs is a pin for pin compatible improved version of the UC3842/3/4/5 family. Providing the necessary features to control current mode switched mode power supplies, this family has the following improved features. Start up current is guaranteed to be less than 0.5mA. Oscillator discharge is trimmed to 8.3mA. During under voltage lockout, the output stage can sink at least 10mA at less than 1.2V for VCC over 5V.

The difference between members of this family are shown in the table below.

| Part #  | UVLO On | UVLO Off | Maximum Duty Cycle |
|---------|---------|----------|--------------------|
| UC1842A | 16.0V   | 10.0V    | <100%              |
| UC1843A | 8.5V    | 7.9V     | <100%              |
| UC1844A | 16.0V   | 10.0V    | <50%               |
| UC1845A | 8.5V    | 7.9V     | <50%               |

## BLOCK DIAGRAM



## CONNECTION DIAGRAMS

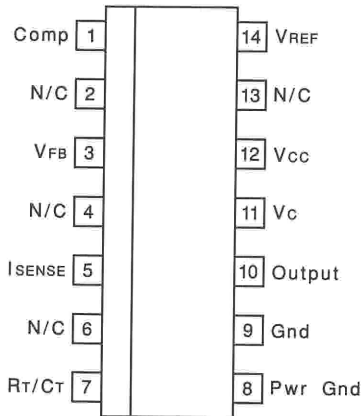
UC1842A/3A/4A/5A  
UC2842A/3A/4A/5A  
UC3842A/3A/4A/5A

### ABSOLUTE MAXIMUM RATINGS (Note 1)

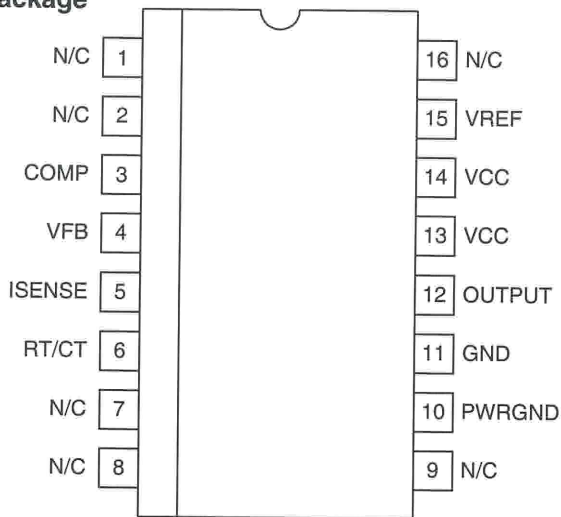
|  |                 |
|--|-----------------|
| Supply Voltage (Low Impedance Source)    | 30V             |
| Supply Voltage (Icc mA)                  | Self Limiting   |
| Output Current                           | ±1A             |
| Output Energy (Capacitive Load)          | 5μJ             |
| Analog Inputs (Pins 2, 3)                | -0.3V to +6.3V  |
| Error Amp Output Sink Current            | 10mA            |
| Power Dissipation at TA ≤ 25°C (DIL-8)   | 1W              |
| Storage Temperature Range                | -65°C to +150°C |
| Junction Temperature Range               | -55°C to +150°C |
| Lead Temperature (Soldering, 10 Seconds) | 300°C           |

*Note 1. All voltages are with respect to Ground, Pin 5. Currents are positive into, negative out of the specified terminal. Consult Packaging Section of Databook for thermal limitations and considerations of packages. Pin numbers refer to DIL package only.*

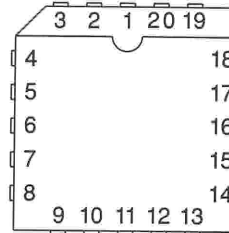
### SOIC-14 (TOP VIEW) D Package



### SOIC-WIDE16 (TOP VIEW) DW Package

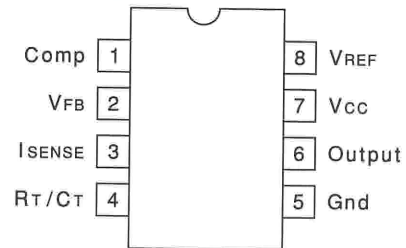


### PLCC-20, LCC-20 (TOP VIEW) Q, L Packages



| PACKAGE PIN FUNCTION |     |
|----------------------|-----|
| FUNCTION             | PIN |
| N/C                  | 1   |
| Comp                 | 2   |
| N/C                  | 3-4 |
| VFB                  | 5   |
| N/C                  | 6   |
| ISENSE               | 7   |
| N/C                  | 8-9 |
| Rt/CT                | 10  |
| N/C                  | 11  |
| Pwr Gnd              | 12  |
| Gnd                  | 13  |
| N/C                  | 14  |
| Output               | 15  |
| N/C                  | 16  |
| Vc                   | 17  |
| Vcc                  | 18  |
| N/C                  | 19  |
| VREF                 | 20  |

### DIL-8, SOIC-8 (TOP VIEW) J or N, D8 Package



## THERMAL CHARACTERISTICS

Over operating free-air temperature range (unless otherwise noted)

| PACKAGE      |     | $\theta_{JC}$     | $\theta_{JA}$           |
|--------------|-----|-------------------|-------------------------|
| DIL - 8      | J   | 28 <sup>(1)</sup> | 125 - 160               |
|              | N   | 25                | 110 <sup>(2)</sup>      |
| SOIC - 8     | D8  | 42                | 84 - 160 <sup>(2)</sup> |
| SOIC - 14    | D14 | 35                | 50 - 120 <sup>(2)</sup> |
| CFP - 14     | W   | 5.49 °C/W         | 175.4 °C/W              |
| PLCC - 20    | Q   | 34                | 43 - 75 <sup>(2)</sup>  |
| SOIC Wide 16 | DW  | 27                | 50 - 100 <sup>(2)</sup> |
| LLC - 20     | L   | 20 <sup>(3)</sup> | 70 - 80                 |

(1)  $\theta_{JC}$  data values stated were derived from MIL-STD-1835B.

(2) Specified  $\theta_{JA}$  (junction to ambient) is for devices mounted to 5 in<sup>2</sup> FR4 PC board with one ounce copper where noted. When resistance range is given, lower values are for 5 in<sup>2</sup>. Test PWB was 0.062 in thick and typically used 0.635-mm trace widths for power packages and 1.3-mm trace widths for non-power packages with 100 x 100-mil probe land area at the end of each trace.

(3)  $\theta_{JC}$  data values stated were derived from MIL-STD-1835B. MIL-STD-1835B states that "The baseline values shown are worse case (mean+2s) \* for a 60 x 60 mil microcircuit device silicon die and applicable for devices with die sizes up to 144000 square mils. For device sizes greater than 14400 square mils use the following values; dual-in-line, 11°C/W; flat pack, 10°C/W; pin grid array, 10°C/W".

## DISSIPATION RATINGS

| PACKAGE | $T_A \leq 25^\circ\text{C}$<br>POWER RATING <sup>c</sup> | DERATING<br>FACTOR ABOVE<br>$T_A \leq 25^\circ\text{C}$ | $T_A \leq 70^\circ\text{C}$<br>POWER RATING | $T_A \leq 80^\circ\text{C}$<br>POWER RATING | $T_A \leq 125^\circ\text{C}$<br>POWER RATING |
|---------|--|---|---|---|--|
| W       | 700 mW   | 5.5 mW/°C   | 452 mW                                      | 370 mW                                      | 150 mW                                       |

**ELECTRICAL CHARACTERISTICS** Unless otherwise stated, these specifications apply for  $-55^{\circ}\text{C} \leq T_A \leq 125^{\circ}\text{C}$  for the UC184xA;  $-40^{\circ}\text{C} \leq T_A \leq 125^{\circ}\text{C}$  for the UC284xAQ;  $-40^{\circ}\text{C} \leq T_A \leq 85^{\circ}\text{C}$  for the UC284xA;  $0 \leq T_A \leq 70^{\circ}\text{C}$  for the UC384xA;  $V_{CC} = 15\text{V}$  (Note 5);  $R_T = 10\text{k}$ ;  $C_T = 3.3\text{nF}$ ;  $T_A = T_J$ ; Pin numbers refer to DIL-8.

| PARAMETER                    | TEST CONDITIONS   | UC184xA/UC284xA |      |      | UC384xA |      |      | UNITS                  |
|------------------------------|---|-----------------|------|------|---------|------|------|------------------------|
|                              |   | MIN.            | TYP. | MAX. | MIN.    | TYP. | MAX. |                        |
| <b>Reference Section</b>     |   |                 |      |      |         |      |      |                        |
| Output Voltage               | $T_J = 25^{\circ}\text{C}$ , $I_O = 1\text{mA}$                               | 4.95            | 5.00 | 5.05 | 4.90    | 5.00 | 5.10 | V                      |
| Line Regulation              | $12 \leq V_{IN} \leq 25\text{V}$  |                 | 6    | 20   |         | 6    | 20   | mV                     |
| Load Regulation              | $1 \leq I_O \leq 20\text{mA}$   |                 | 6    | 25   |         | 6    | 25   | mV                     |
| Temp. Stability              | (Note 2, Note 7)  |                 | 0.2  | 0.4  |         | 0.2  | 0.4  | mV/ $^{\circ}\text{C}$ |
| Total Output Variation       | Line, Load, Temp.   | 4.9             |      | 5.1  | 4.82    |      | 5.18 | V                      |
| Output Noise Voltage         | $10\text{Hz} \leq f \leq 10\text{kHz}$<br>$T_J = 25^{\circ}\text{C}$ (Note 2) |                 | 50   |      |         | 50   |      | $\mu\text{V}$          |
| Long Term Stability          | $T_A = 125^{\circ}\text{C}$ , 1000Hrs. (Note 2)                               |                 | 5    | 25   |         | 5    | 25   | mV                     |
| Output Short Circuit         |   | -30             | -100 | -180 | -30     | -100 | -180 | mA                     |
| <b>Oscillator Section</b>    |   |                 |      |      |         |      |      |                        |
| Initial Accuracy             | $T_J = 25^{\circ}\text{C}$ (Note 6)   | 47              | 52   | 57   | 47      | 52   | 57   | kHz                    |
| Voltage Stability            | $12 \leq V_{CC} \leq 25\text{V}$  |                 | 0.2  | 1    |         | 0.2  | 1    | %                      |
| Temp. Stability              | $T_{MIN} \leq T_A \leq T_{MAX}$ (Note 2)                                      |                 | 5    |      |         | 5    |      | %                      |
| Amplitude                    | $V_{PIN 4}$ peak to peak (Note 2)   |                 | 1.7  |      |         | 1.7  |      | V                      |
| Discharge Current            | $T_J = 25^{\circ}\text{C}$ , $V_{PIN 4} = 2\text{V}$ (Note 8)                 | 7.8             | 8.3  | 8.8  | 7.8     | 8.3  | 8.8  | mA                     |
|                              | $V_{PIN 4} = 2\text{V}$ (Note 8)  | 7.5             |      | 8.8  | 7.6     |      | 8.8  | mA                     |
| <b>Error Amp Section</b>     |   |                 |      |      |         |      |      |                        |
| Input Voltage                | $V_{PIN 1} = 2.5\text{V}$   | 2.45            | 2.50 | 2.55 | 2.42    | 2.50 | 2.58 | V                      |
| Input Bias Current           |   |                 | -0.3 | -1   |         | -0.3 | -2   | $\mu\text{A}$          |
| AVOL                         | $2 \leq V_O \leq 4\text{V}$   | 65              | 90   |      | 65      | 90   |      | dB                     |
| Unity Gain Bandwidth         | $T_J = 25^{\circ}\text{C}$ (Note 2)   | 0.7             | 1    |      | 0.7     | 1    |      | MHz                    |
| PSRR                         | $12 \leq V_{CC} \leq 25\text{V}$  | 60              | 70   |      | 60      | 70   |      | dB                     |
| Output Sink Current          | $V_{PIN 2} = 2.7\text{V}$ , $V_{PIN 1} = 1.1\text{V}$                         | 2               | 6    |      | 2       | 6    |      | mA                     |
| Output Source Current        | $V_{PIN 2} = 2.3\text{V}$ , $V_{PIN 1} = 5\text{V}$                           | -0.5            | -0.8 |      | -0.5    | -0.8 |      | mA                     |
| VOUT High                    | $V_{PIN 2} = 2.3\text{V}$ , $R_L = 15\text{k}$ to ground                      | 5               | 6    |      | 5       | 6    |      | V                      |
| VOUT Low                     | $V_{PIN 2} = 2.7\text{V}$ , $R_L = 15\text{k}$ to Pin 8                       |                 | 0.7  | 1.1  |         | 0.7  | 1.1  | V                      |
| <b>Current Sense Section</b> |   |                 |      |      |         |      |      |                        |
| Gain                         | (Note 3, Note 4)  | 2.85            | 3    | 3.15 | 2.85    | 3    | 3.15 | V/V                    |
| Maximum Input Signal         | $V_{PIN 1} = 5\text{V}$ (Note 3)  | 0.9             | 1    | 1.1  | 0.9     | 1    | 1.1  | V                      |
| PSRR                         | $12 \leq V_{CC} \leq 25\text{V}$ (Note 3)                                     |                 | 70   |      |         | 70   |      | dB                     |
| Input Bias Current           |   |                 | -2   | -10  |         | -2   | -10  | $\mu\text{A}$          |
| Delay to Output              | $V_{PIN 3} = 0$ to $2\text{V}$ (Note 2)                                       |                 | 150  | 300  |         | 150  | 300  | ns                     |
| <b>Output Section</b>        |   |                 |      |      |         |      |      |                        |
| Output Low Level             | $I_{SINK} = 20\text{mA}$  |                 | 0.1  | 0.4  |         | 0.1  | 0.4  | V                      |
|                              | $I_{SINK} = 200\text{mA}$   |                 | 1.5  | 2.2  |         | 1.5  | 2.2  | V                      |
| Output High Level            | $I_{SOURCE} = 20\text{mA}$  | 13              | 13.5 |      | 13      | 13.5 |      | V                      |
|                              | $I_{SOURCE} = 200\text{mA}$   | 12              | 13.5 |      | 12      | 13.5 |      | V                      |
| Rise Time                    | $T_J = 25^{\circ}\text{C}$ , $C_L = 1\text{nF}$ (Note 2)                      |                 | 50   | 150  |         | 50   | 150  | ns                     |
| Fall Time                    | $T_J = 25^{\circ}\text{C}$ , $C_L = 1\text{nF}$ (Note 2)                      |                 | 50   | 150  |         | 50   | 150  | ns                     |
| UVLO Saturation              | $V_{CC} = 5\text{V}$ , $I_{SINK} = 10\text{mA}$                               |                 | 0.7  | 1.2  |         | 0.7  | 1.2  | V                      |

**ELECTRICAL CHARACTERISTICS** Unless otherwise stated, these specifications apply for  $-55^{\circ}\text{C} \leq T_A \leq 125^{\circ}\text{C}$  for the UC184xA;  $-40^{\circ}\text{C} \leq T_A \leq 125^{\circ}\text{C}$  for the UC284xAQ;  $-40^{\circ}\text{C} \leq T_A \leq 85^{\circ}\text{C}$  for the UC284xA;  $0 \leq T_A \leq 70^{\circ}\text{C}$  for the UC384xA;  $V_{CC} = 15\text{V}$  (Note 5);  $R_T = 10\text{k}$ ;  $C_T = 3.3\text{nF}$ ;  $T_A = T_J$ ; Pin numbers refer to DIL-8.

| PARAMETER                            | TEST CONDITIONS                   | UC184xA\UC284xA |      |      | UC384xA |      |      | UNITS |
|--------------------------------------|-----------------------------------|-----------------|------|------|---------|------|------|-------|
|                                      |                                   | MIN.            | TYP. | MAX. | MIN.    | TYP. | MAX. |       |
| <b>Under-Voltage Lockout Section</b> |                                   |                 |      |      |         |      |      |       |
| Start Threshold                      | x842A/4A                          | 15              | 16   | 17   | 14.5    | 16   | 17.5 | V     |
|                                      | x843A/5A                          | 7.8             | 8.4  | 9.0  | 7.8     | 8.4  | 9.0  | V     |
| Min. Operation Voltage After Turn On | x842A/4A                          | 9               | 10   | 11   | 8.5     | 10   | 11.5 | V     |
|                                      | x843A/5A                          | 7.0             | 7.6  | 8.2  | 7.0     | 7.6  | 8.2  | V     |
| <b>PWM Section</b>                   |                                   |                 |      |      |         |      |      |       |
| Maximum Duty Cycle                   | x842A/3A                          | 94              | 96   | 100  | 94      | 96   | 100  | %     |
|                                      | x844A/5A                          | 47              | 48   | 50   | 47      | 48   | 50   | %     |
| Minimum Duty Cycle                   |                                   |                 |      | 0    |         |      | 0    | %     |
| <b>Total Standby Current</b>         |                                   |                 |      |      |         |      |      |       |
| Start-Up Current                     |                                   |                 | 0.3  | 0.5  |         | 0.3  | 0.5  | mA    |
| Operating Supply Current             | $V_{PIN2} = V_{PIN3} = 0\text{V}$ |                 | 11   | 17   |         | 11   | 17   | mA    |
| Vcc Zener Voltage                    | $I_{CC} = 25\text{mA}$            | 30              | 34   |      | 30      | 34   |      | V     |

**Note 2:** Ensured by design, but not 100% production tested.

**Note 3:** Parameter measured at trip point of latch with  $V_{PIN2} = 0$ .

**Note 4:** Gain defined as:  $A = \frac{\Delta V_{PIN1}}{\Delta V_{PIN3}}$ ;  $0 \leq V_{PIN3} \leq 0.8\text{V}$ .

**Note 5:** Adjust  $V_{CC}$  above the start threshold before setting at 15V.

**Note 6:** Output frequency equals oscillator frequency for the UC1842A and UC1843A. Output frequency is one half oscillator frequency for the UC1844A and UC1845A.

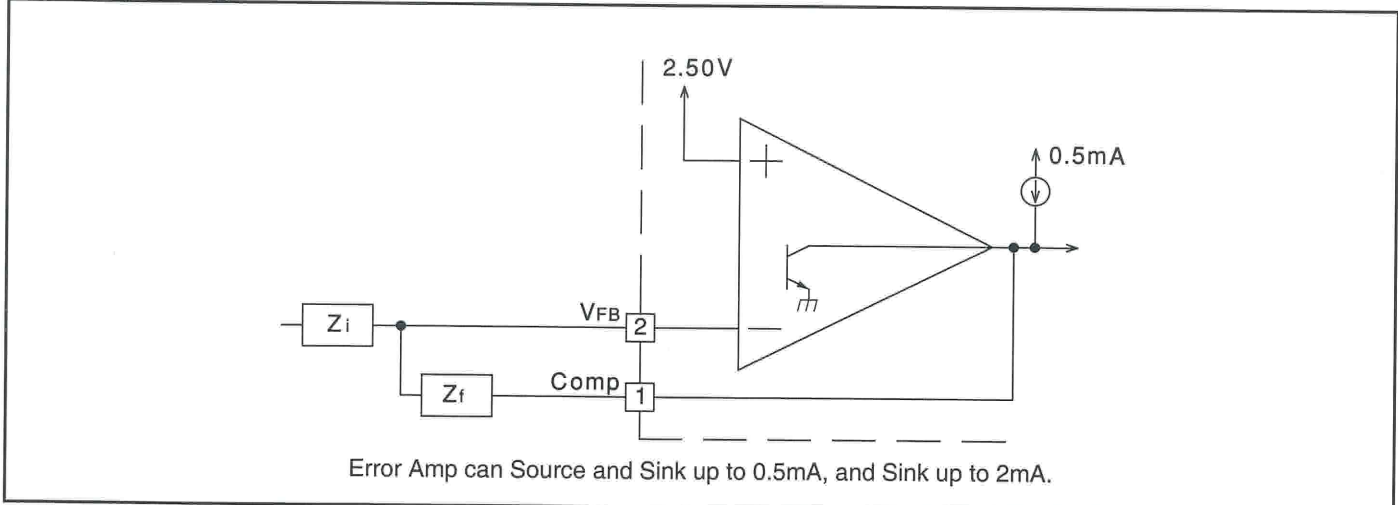
**Note 7:** "Temperature stability, sometimes referred to as average temperature coefficient, is described by the equation:

$$\text{Temp Stability} = \frac{V_{REF}(\text{max}) - V_{REF}(\text{min})}{T_J(\text{max}) - T_J(\text{min})}$$

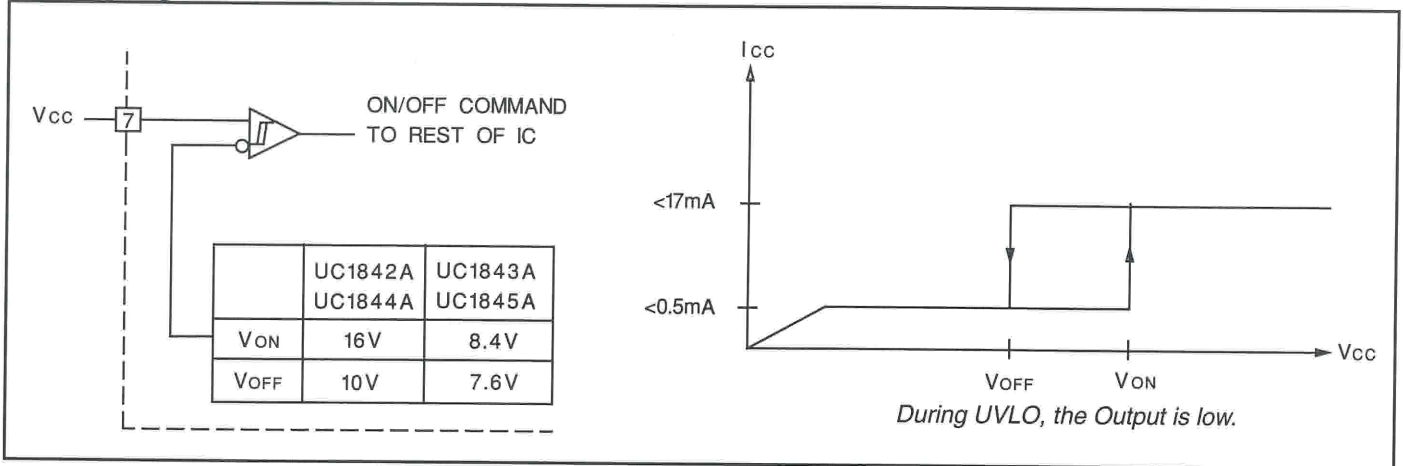
*$V_{REF}(\text{max})$  and  $V_{REF}(\text{min})$  are the maximum & minimum reference voltage measured over the appropriate temperature range. Note that the extremes in voltage do not necessarily occur at the extremes in temperature."*

**Note 8:** This parameter is measured with  $R_T = 10\text{k}\Omega$  to  $V_{REF}$ . This contributes approximately  $300\mu\text{A}$  of current to the measurement. The total current flowing into the  $R_T/C$  pin will be approximately  $300\mu\text{A}$  higher than the measured value.

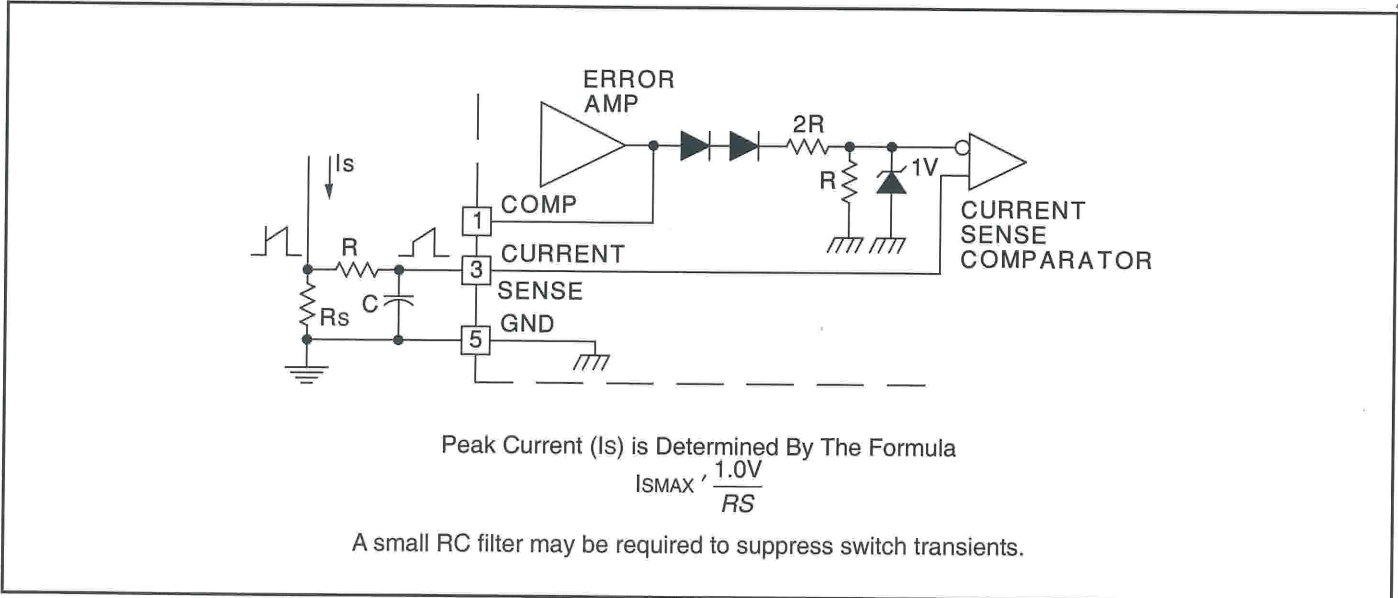
### Error Amp Configuration



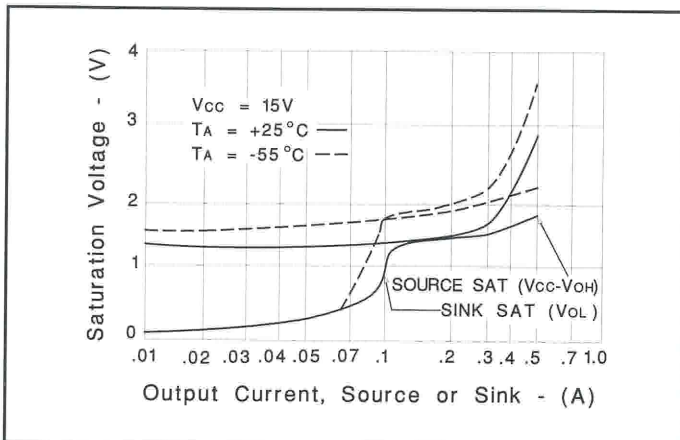
**Under-Voltage Lockout**



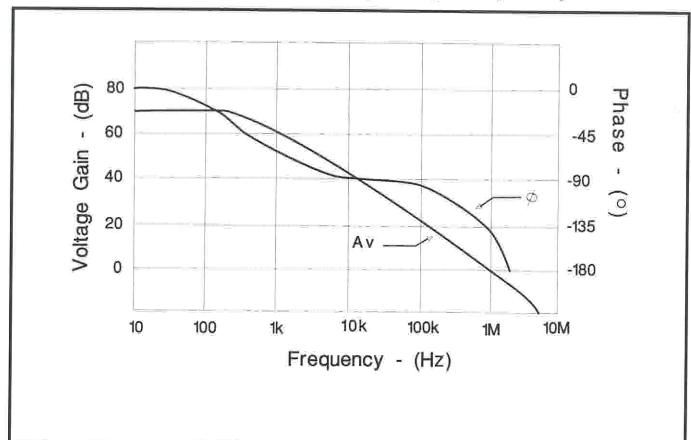
**Current Sense Circuit**



**Output Saturation Characteristics**

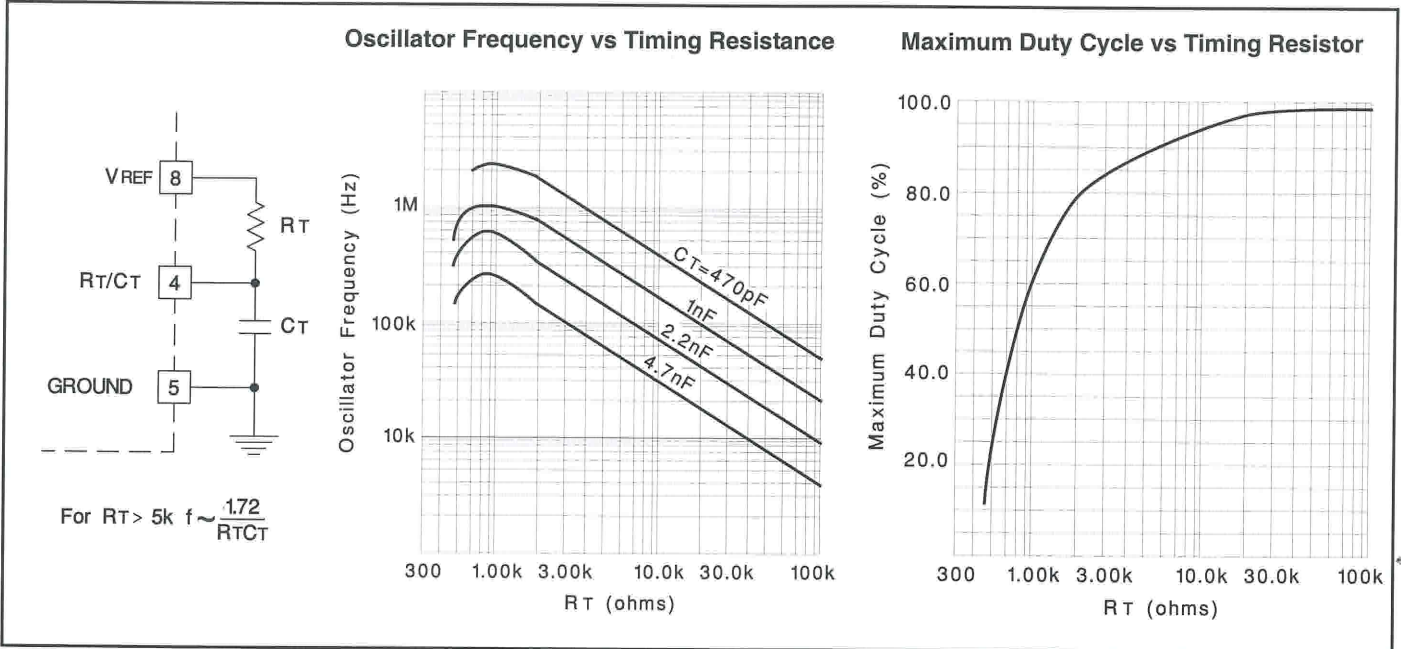


**Error Amplifier Open-Loop Frequency Response**

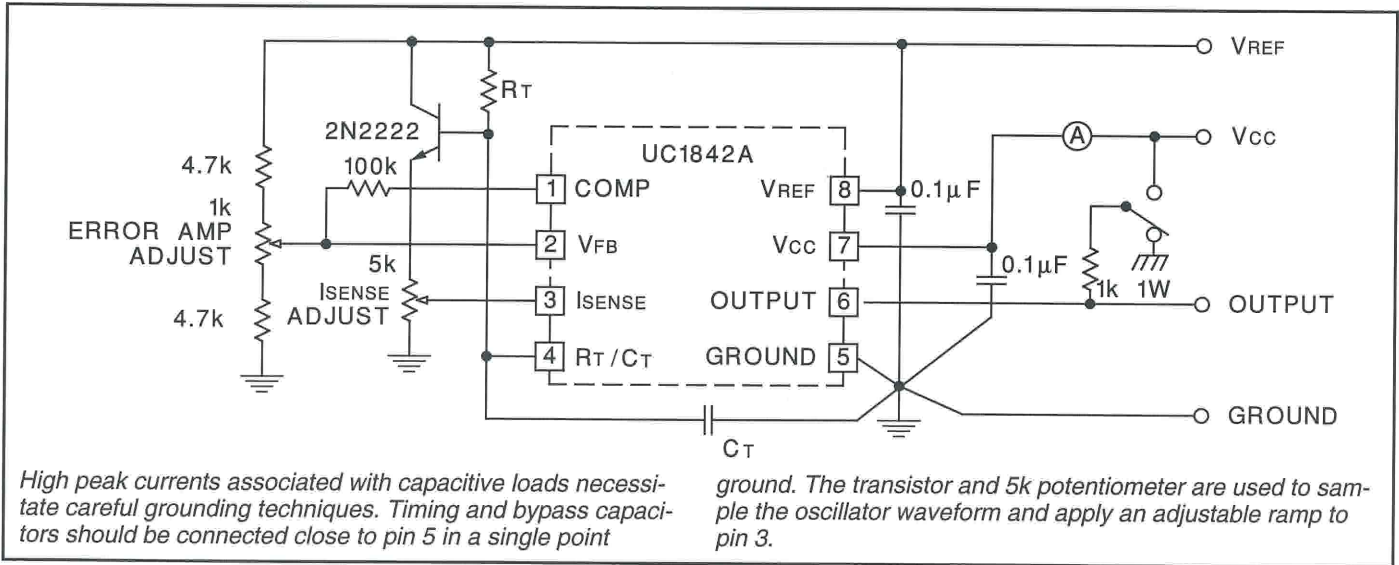


APPLICATIONS DATA (cont.)

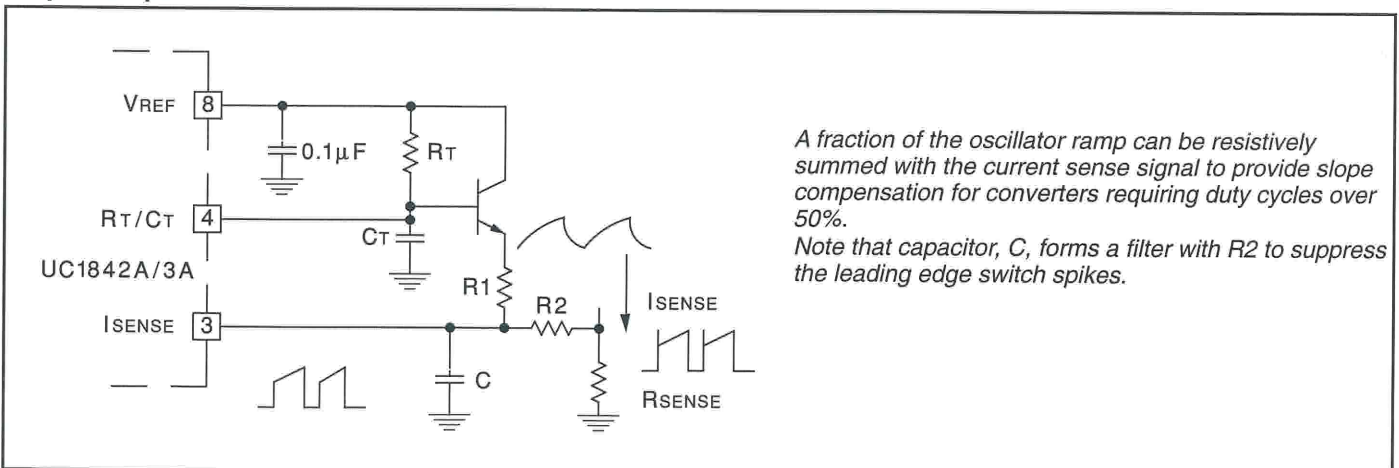
Oscillator Section



Open-Loop Laboratory Test Fixture

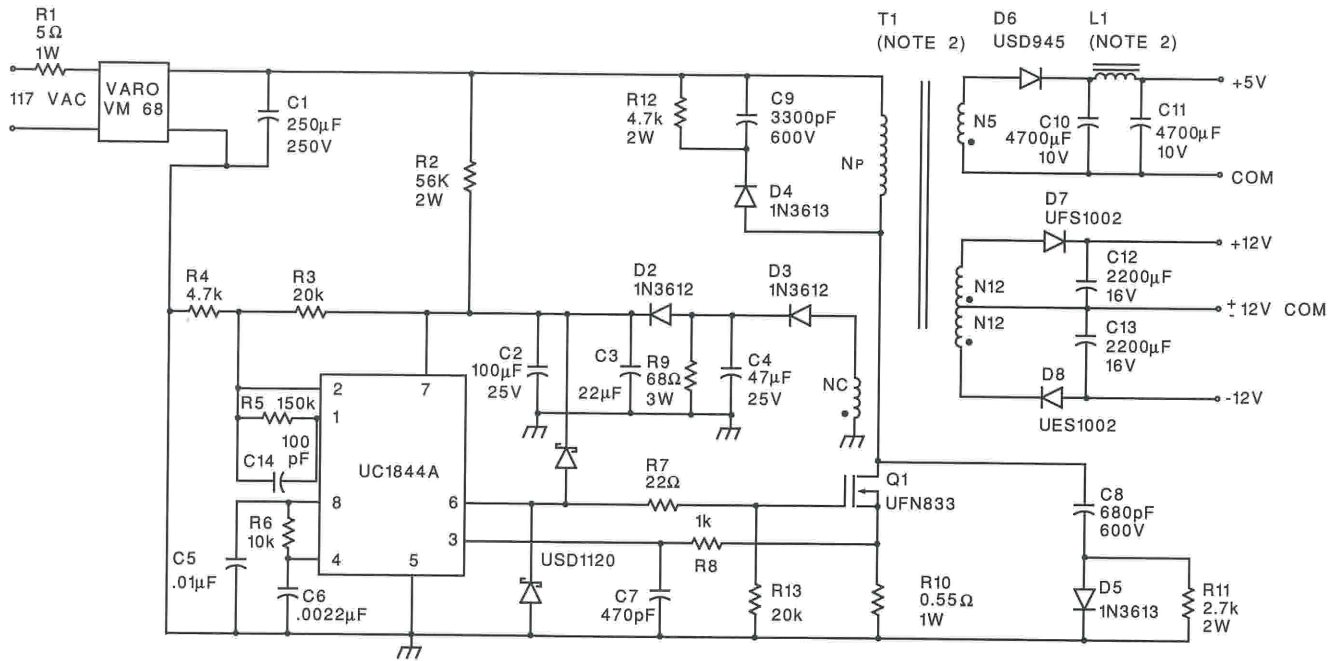


Slope Compensation



APPLICATIONS DATA (cont.)

Off-line Flyback Regulator



**Power Supply Specifications**

- |                         |                                |
|-------------------------|--------------------------------|
| 1. Input Voltage        | 95VAC to 130VA<br>(50 Hz/60Hz) |
| 2. Line Isolation       | 3750V                          |
| 3. Switching Frequency  | 40kHz                          |
| 4. Efficiency Full Load | 70%                            |

**5. Output Voltage:**

- |                                 |                               |
|---------------------------------|-------------------------------|
| A. +5V, ±5%; 1A to 4A load      | Ripple voltage: 50mV P-P Max  |
| B. +12V, ±3%; 0.1A to 0.3A load | Ripple voltage: 100mV P-P Max |
| C. -12V, ±3%; 0.1A to 0.3A load | Ripple voltage: 100mV P-P Max |

**REVISION HISTORY**

Revision B (September 2009) to revision C (August 2010):

Corrected I<sub>SINK</sub> voltage, page 4, 15 V to 1.5 V in two places.



**PACKAGING INFORMATION**

| Orderable Device | Status <sup>(1)</sup> | Package Type | Package Drawing | Pins | Package Qty | Eco Plan <sup>(2)</sup> | Lead/<br>Ball Finish | MSL Peak Temp <sup>(3)</sup> | Samples<br>(Requires Login)               |
|------------------|-----------------------|--------------|-----------------|------|-------------|-------------------------|----------------------|------------------------------|---|
| 5962-8670405PA   | ACTIVE                | CDIP         | JG              | 8    | 1           | TBD                     | A42                  | N / A for Pkg Type           | <a href="#">Purchase Samples</a>          |
| 5962-8670405XA   | ACTIVE                | LCCC         | FK              | 20   | 1           | TBD                     | POST-PLATE           | N / A for Pkg Type           | <a href="#">Purchase Samples</a>          |
| 5962-8670406PA   | ACTIVE                | CDIP         | JG              | 8    | 1           | TBD                     | A42                  | N / A for Pkg Type           | <a href="#">Purchase Samples</a>          |
| 5962-8670406XA   | ACTIVE                | LCCC         | FK              | 20   | 1           | TBD                     | POST-PLATE           | N / A for Pkg Type           | <a href="#">Purchase Samples</a>          |
| 5962-8670407PA   | ACTIVE                | CDIP         | JG              | 8    | 1           | TBD                     | A42                  | N / A for Pkg Type           | <a href="#">Purchase Samples</a>          |
| 5962-8670407XA   | ACTIVE                | LCCC         | FK              | 20   | 1           | TBD                     | POST-PLATE           | N / A for Pkg Type           | <a href="#">Purchase Samples</a>          |
| 5962-8670408PA   | ACTIVE                | CDIP         | JG              | 8    | 1           | TBD                     | A42                  | N / A for Pkg Type           | <a href="#">Purchase Samples</a>          |
| 5962-8670408XA   | ACTIVE                | LCCC         | FK              | 20   | 1           | TBD                     | POST-PLATE           | N / A for Pkg Type           | <a href="#">Purchase Samples</a>          |
| UC1842AJ         | ACTIVE                | CDIP         | JG              | 8    | 1           | TBD                     | A42                  | N / A for Pkg Type           | Contact TI Distributor<br>or Sales Office |
| UC1842AJ883B     | ACTIVE                | CDIP         | JG              | 8    | 1           | TBD                     | A42                  | N / A for Pkg Type           | Contact TI Distributor<br>or Sales Office |
| UC1842AL883B     | ACTIVE                | LCCC         | FK              | 20   | 1           | TBD                     | POST-PLATE           | N / A for Pkg Type           | Contact TI Distributor<br>or Sales Office |
| UC1843AJ         | ACTIVE                | CDIP         | JG              | 8    | 1           | TBD                     | A42                  | N / A for Pkg Type           | Contact TI Distributor<br>or Sales Office |
| UC1843AJ883B     | ACTIVE                | CDIP         | JG              | 8    | 1           | TBD                     | A42                  | N / A for Pkg Type           | Contact TI Distributor<br>or Sales Office |
| UC1843AL883B     | ACTIVE                | LCCC         | FK              | 20   | 1           | TBD                     | POST-PLATE           | N / A for Pkg Type           | Contact TI Distributor<br>or Sales Office |
| UC1844AJ         | ACTIVE                | CDIP         | JG              | 8    | 1           | TBD                     | A42                  | N / A for Pkg Type           | Contact TI Distributor<br>or Sales Office |
| UC1844AJ883B     | ACTIVE                | CDIP         | JG              | 8    | 1           | TBD                     | A42                  | N / A for Pkg Type           | Contact TI Distributor<br>or Sales Office |
| UC1844AL883B     | ACTIVE                | LCCC         | FK              | 20   | 1           | TBD                     | POST-PLATE           | N / A for Pkg Type           | Contact TI Distributor<br>or Sales Office |
| UC1845AJ         | ACTIVE                | CDIP         | JG              | 8    | 1           | TBD                     | A42                  | N / A for Pkg Type           | Contact TI Distributor<br>or Sales Office |
| UC1845AJ883B     | ACTIVE                | CDIP         | JG              | 8    | 1           | TBD                     | A42                  | N / A for Pkg Type           | Contact TI Distributor<br>or Sales Office |
| UC1845AL883B     | ACTIVE                | LCCC         | FK              | 20   | 1           | TBD                     | POST-PLATE           | N / A for Pkg Type           | Contact TI Distributor<br>or Sales Office |

| Orderable Device | Status <sup>(1)</sup> | Package Type | Package Drawing | Pins | Package Qty | Eco Plan <sup>(2)</sup>    | Lead/<br>Ball Finish | MSL Peak Temp <sup>(3)</sup> | Samples<br>(Requires Login)          |
|------------------|-----------------------|--------------|-----------------|------|-------------|----------------------------|----------------------|------------------------------|--------------------------------------|
| UC2842AD         | ACTIVE                | SOIC         | D               | 14   | 50          | Green (RoHS<br>& no Sb/Br) | CU NIPDAU            | Level-1-260C-UNLIM           | <a href="#">Request Free Samples</a> |
| UC2842AD8        | ACTIVE                | SOIC         | D               | 8    | 75          | Green (RoHS<br>& no Sb/Br) | CU NIPDAU            | Level-1-260C-UNLIM           | <a href="#">Request Free Samples</a> |
| UC2842AD8G4      | ACTIVE                | SOIC         | D               | 8    | 75          | Green (RoHS<br>& no Sb/Br) | CU NIPDAU            | Level-1-260C-UNLIM           | <a href="#">Request Free Samples</a> |
| UC2842AD8TR      | ACTIVE                | SOIC         | D               | 8    | 2500        | Green (RoHS<br>& no Sb/Br) | CU NIPDAU            | Level-1-260C-UNLIM           | <a href="#">Purchase Samples</a>     |
| UC2842AD8TRG4    | ACTIVE                | SOIC         | D               | 8    | 2500        | Green (RoHS<br>& no Sb/Br) | CU NIPDAU            | Level-1-260C-UNLIM           | <a href="#">Purchase Samples</a>     |
| UC2842ADG4       | ACTIVE                | SOIC         | D               | 14   | 50          | Green (RoHS<br>& no Sb/Br) | CU NIPDAU            | Level-1-260C-UNLIM           | <a href="#">Request Free Samples</a> |
| UC2842ADTR       | ACTIVE                | SOIC         | D               | 14   | 2500        | Green (RoHS<br>& no Sb/Br) | CU NIPDAU            | Level-1-260C-UNLIM           | <a href="#">Purchase Samples</a>     |
| UC2842ADTRG4     | ACTIVE                | SOIC         | D               | 14   | 2500        | Green (RoHS<br>& no Sb/Br) | CU NIPDAU            | Level-1-260C-UNLIM           | <a href="#">Purchase Samples</a>     |
| UC2842ADW        | ACTIVE                | SOIC         | DW              | 16   | 40          | Green (RoHS<br>& no Sb/Br) | CU NIPDAU            | Level-2-260C-1 YEAR          | <a href="#">Purchase Samples</a>     |
| UC2842ADWG4      | ACTIVE                | SOIC         | DW              | 16   | 40          | Green (RoHS<br>& no Sb/Br) | CU NIPDAU            | Level-2-260C-1 YEAR          | <a href="#">Purchase Samples</a>     |
| UC2842ADWTR      | ACTIVE                | SOIC         | DW              | 16   | 2000        | Green (RoHS<br>& no Sb/Br) | CU NIPDAU            | Level-2-260C-1 YEAR          | <a href="#">Purchase Samples</a>     |
| UC2842ADWTRG4    | ACTIVE                | SOIC         | DW              | 16   | 2000        | Green (RoHS<br>& no Sb/Br) | CU NIPDAU            | Level-2-260C-1 YEAR          | <a href="#">Purchase Samples</a>     |
| UC2842AJ         | OBSOLETE              | CDIP         | JG              | 8    |             | TBD                        | Call TI              | Call TI                      | Samples Not Available                |
| UC2842AN         | ACTIVE                | PDIP         | P               | 8    | 50          | Green (RoHS<br>& no Sb/Br) | CU NIPDAU            | N / A for Pkg Type           | <a href="#">Request Free Samples</a> |
| UC2842ANG4       | ACTIVE                | PDIP         | P               | 8    | 50          | Green (RoHS<br>& no Sb/Br) | CU NIPDAU            | N / A for Pkg Type           | <a href="#">Request Free Samples</a> |
| UC2843AD         | ACTIVE                | SOIC         | D               | 14   | 50          | Green (RoHS<br>& no Sb/Br) | CU NIPDAU            | Level-1-260C-UNLIM           | <a href="#">Request Free Samples</a> |
| UC2843AD8        | ACTIVE                | SOIC         | D               | 8    | 75          | Green (RoHS<br>& no Sb/Br) | CU NIPDAU            | Level-1-260C-UNLIM           | <a href="#">Request Free Samples</a> |
| UC2843AD8G4      | ACTIVE                | SOIC         | D               | 8    | 75          | Green (RoHS<br>& no Sb/Br) | CU NIPDAU            | Level-1-260C-UNLIM           | <a href="#">Request Free Samples</a> |

| Orderable Device | Status <sup>(1)</sup> | Package Type | Package Drawing | Pins | Package Qty | Eco Plan <sup>(2)</sup> | Lead/<br>Ball Finish | MSL Peak Temp <sup>(3)</sup> | Samples<br>(Requires Login)          |
|------------------|-----------------------|--------------|-----------------|------|-------------|-------------------------|----------------------|------------------------------|--------------------------------------|
| UC2843AD8TR      | ACTIVE                | SOIC         | D               | 8    | 2500        | Green (RoHS & no Sb/Br) | CU NIPDAU            | Level-1-260C-UNLIM           | <a href="#">Purchase Samples</a>     |
| UC2843AD8TRG4    | ACTIVE                | SOIC         | D               | 8    | 2500        | Green (RoHS & no Sb/Br) | CU NIPDAU            | Level-1-260C-UNLIM           | <a href="#">Purchase Samples</a>     |
| UC2843ADG4       | ACTIVE                | SOIC         | D               | 14   | 50          | Green (RoHS & no Sb/Br) | CU NIPDAU            | Level-1-260C-UNLIM           | <a href="#">Request Free Samples</a> |
| UC2843ADTR       | ACTIVE                | SOIC         | D               | 14   | 2500        | Green (RoHS & no Sb/Br) | CU NIPDAU            | Level-1-260C-UNLIM           | <a href="#">Purchase Samples</a>     |
| UC2843ADTRG4     | ACTIVE                | SOIC         | D               | 14   | 2500        | Green (RoHS & no Sb/Br) | CU NIPDAU            | Level-1-260C-UNLIM           | <a href="#">Purchase Samples</a>     |
| UC2843AJ         | OBSOLETE              | CDIP         | JG              | 8    |             | TBD                     | Call TI              | Call TI                      | Samples Not Available                |
| UC2843AN         | ACTIVE                | PDIP         | P               | 8    | 50          | Green (RoHS & no Sb/Br) | CU NIPDAU            | N / A for Pkg Type           | <a href="#">Request Free Samples</a> |
| UC2843ANG4       | ACTIVE                | PDIP         | P               | 8    | 50          | Green (RoHS & no Sb/Br) | CU NIPDAU            | N / A for Pkg Type           | <a href="#">Request Free Samples</a> |
| UC2843AQ         | ACTIVE                | PLCC         | FN              | 20   | 46          | Green (RoHS & no Sb/Br) | CU SN                | Level-2-260C-1 YEAR          | <a href="#">Purchase Samples</a>     |
| UC2843AQG3       | ACTIVE                | PLCC         | FN              | 20   | 46          | Green (RoHS & no Sb/Br) | CU SN                | Level-2-260C-1 YEAR          | <a href="#">Purchase Samples</a>     |
| UC2844AD         | ACTIVE                | SOIC         | D               | 14   | 50          | Green (RoHS & no Sb/Br) | CU NIPDAU            | Level-1-260C-UNLIM           | <a href="#">Request Free Samples</a> |
| UC2844AD8        | ACTIVE                | SOIC         | D               | 8    | 75          | Green (RoHS & no Sb/Br) | CU NIPDAU            | Level-1-260C-UNLIM           | <a href="#">Purchase Samples</a>     |
| UC2844AD8G4      | ACTIVE                | SOIC         | D               | 8    | 75          | Green (RoHS & no Sb/Br) | CU NIPDAU            | Level-1-260C-UNLIM           | <a href="#">Purchase Samples</a>     |
| UC2844AD8TR      | ACTIVE                | SOIC         | D               | 8    | 2500        | Green (RoHS & no Sb/Br) | CU NIPDAU            | Level-1-260C-UNLIM           | <a href="#">Purchase Samples</a>     |
| UC2844AD8TRG4    | ACTIVE                | SOIC         | D               | 8    | 2500        | Green (RoHS & no Sb/Br) | CU NIPDAU            | Level-1-260C-UNLIM           | <a href="#">Purchase Samples</a>     |
| UC2844ADG4       | ACTIVE                | SOIC         | D               | 14   | 50          | Green (RoHS & no Sb/Br) | CU NIPDAU            | Level-1-260C-UNLIM           | <a href="#">Request Free Samples</a> |
| UC2844ADTR       | ACTIVE                | SOIC         | D               | 14   | 2500        | Green (RoHS & no Sb/Br) | CU NIPDAU            | Level-1-260C-UNLIM           | <a href="#">Purchase Samples</a>     |
| UC2844ADTRG4     | ACTIVE                | SOIC         | D               | 14   | 2500        | Green (RoHS & no Sb/Br) | CU NIPDAU            | Level-1-260C-UNLIM           | <a href="#">Purchase Samples</a>     |

| Orderable Device | Status <sup>(1)</sup> | Package Type | Package Drawing | Pins | Package Qty | Eco Plan <sup>(2)</sup> | Lead/<br>Ball Finish | MSL Peak Temp <sup>(3)</sup> | Samples<br>(Requires Login)          |
|------------------|-----------------------|--------------|-----------------|------|-------------|-------------------------|----------------------|------------------------------|--------------------------------------|
| UC2844AN         | ACTIVE                | PDIP         | P               | 8    | 50          | Green (RoHS & no Sb/Br) | CU NIPDAU            | N / A for Pkg Type           | <a href="#">Request Free Samples</a> |
| UC2844ANG4       | ACTIVE                | PDIP         | P               | 8    | 50          | Green (RoHS & no Sb/Br) | CU NIPDAU            | N / A for Pkg Type           | <a href="#">Request Free Samples</a> |
| UC2844AQD        | ACTIVE                | SOIC         | D               | 14   | 50          | Green (RoHS & no Sb/Br) | CU NIPDAU            | Level-1-260C-UNLIM           | <a href="#">Purchase Samples</a>     |
| UC2844AQD8       | ACTIVE                | SOIC         | D               | 8    | 75          | Green (RoHS & no Sb/Br) | CU NIPDAU            | Level-1-260C-UNLIM           | <a href="#">Purchase Samples</a>     |
| UC2844AQD8R      | ACTIVE                | SOIC         | D               | 8    | 2500        | Green (RoHS & no Sb/Br) | CU NIPDAU            | Level-1-260C-UNLIM           | <a href="#">Request Free Samples</a> |
| UC2844AQDR       | ACTIVE                | SOIC         | D               | 14   | 2500        | Green (RoHS & no Sb/Br) | CU NIPDAU            | Level-1-260C-UNLIM           | <a href="#">Request Free Samples</a> |
| UC2845AD         | ACTIVE                | SOIC         | D               | 14   | 50          | Green (RoHS & no Sb/Br) | CU NIPDAU            | Level-1-260C-UNLIM           | <a href="#">Request Free Samples</a> |
| UC2845AD8        | ACTIVE                | SOIC         | D               | 8    | 75          | Green (RoHS & no Sb/Br) | CU NIPDAU            | Level-1-260C-UNLIM           | <a href="#">Request Free Samples</a> |
| UC2845AD8G4      | ACTIVE                | SOIC         | D               | 8    | 75          | Green (RoHS & no Sb/Br) | CU NIPDAU            | Level-1-260C-UNLIM           | <a href="#">Request Free Samples</a> |
| UC2845AD8TR      | ACTIVE                | SOIC         | D               | 8    | 2500        | Green (RoHS & no Sb/Br) | CU NIPDAU            | Level-1-260C-UNLIM           | <a href="#">Purchase Samples</a>     |
| UC2845AD8TRG4    | ACTIVE                | SOIC         | D               | 8    | 2500        | Green (RoHS & no Sb/Br) | CU NIPDAU            | Level-1-260C-UNLIM           | <a href="#">Purchase Samples</a>     |
| UC2845ADG4       | ACTIVE                | SOIC         | D               | 14   | 50          | Green (RoHS & no Sb/Br) | CU NIPDAU            | Level-1-260C-UNLIM           | <a href="#">Request Free Samples</a> |
| UC2845ADTR       | ACTIVE                | SOIC         | D               | 14   | 2500        | Green (RoHS & no Sb/Br) | CU NIPDAU            | Level-1-260C-UNLIM           | <a href="#">Purchase Samples</a>     |
| UC2845ADTRG4     | ACTIVE                | SOIC         | D               | 14   | 2500        | Green (RoHS & no Sb/Br) | CU NIPDAU            | Level-1-260C-UNLIM           | <a href="#">Purchase Samples</a>     |
| UC2845ADW        | ACTIVE                | SOIC         | DW              | 16   | 40          | Green (RoHS & no Sb/Br) | CU NIPDAU            | Level-2-260C-1 YEAR          | <a href="#">Purchase Samples</a>     |
| UC2845ADWG4      | ACTIVE                | SOIC         | DW              | 16   | 40          | Green (RoHS & no Sb/Br) | CU NIPDAU            | Level-2-260C-1 YEAR          | <a href="#">Purchase Samples</a>     |
| UC2845AN         | ACTIVE                | PDIP         | P               | 8    | 50          | Green (RoHS & no Sb/Br) | CU NIPDAU            | N / A for Pkg Type           | <a href="#">Request Free Samples</a> |
| UC2845ANG4       | ACTIVE                | PDIP         | P               | 8    | 50          | Green (RoHS & no Sb/Br) | CU NIPDAU            | N / A for Pkg Type           | <a href="#">Request Free Samples</a> |

| Orderable Device | Status <sup>(1)</sup> | Package Type | Package Drawing | Pins | Package Qty | Eco Plan <sup>(2)</sup>    | Lead/<br>Ball Finish | MSL Peak Temp <sup>(3)</sup> | Samples<br>(Requires Login)          |
|------------------|-----------------------|--------------|-----------------|------|-------------|----------------------------|----------------------|------------------------------|--------------------------------------|
| UC3842AD         | ACTIVE                | SOIC         | D               | 14   | 50          | Green (RoHS<br>& no Sb/Br) | CU NIPDAU            | Level-1-260C-UNLIM           | <a href="#">Request Free Samples</a> |
| UC3842AD8        | ACTIVE                | SOIC         | D               | 8    | 75          | Green (RoHS<br>& no Sb/Br) | CU NIPDAU            | Level-1-260C-UNLIM           | <a href="#">Request Free Samples</a> |
| UC3842AD8G4      | ACTIVE                | SOIC         | D               | 8    | 75          | Green (RoHS<br>& no Sb/Br) | CU NIPDAU            | Level-1-260C-UNLIM           | <a href="#">Request Free Samples</a> |
| UC3842AD8TR      | ACTIVE                | SOIC         | D               | 8    | 2500        | Green (RoHS<br>& no Sb/Br) | CU NIPDAU            | Level-1-260C-UNLIM           | <a href="#">Purchase Samples</a>     |
| UC3842AD8TRG4    | ACTIVE                | SOIC         | D               | 8    | 2500        | Green (RoHS<br>& no Sb/Br) | CU NIPDAU            | Level-1-260C-UNLIM           | <a href="#">Purchase Samples</a>     |
| UC3842ADG4       | ACTIVE                | SOIC         | D               | 14   | 50          | Green (RoHS<br>& no Sb/Br) | CU NIPDAU            | Level-1-260C-UNLIM           | <a href="#">Request Free Samples</a> |
| UC3842ADTR       | ACTIVE                | SOIC         | D               | 14   | 2500        | Green (RoHS<br>& no Sb/Br) | CU NIPDAU            | Level-1-260C-UNLIM           | <a href="#">Purchase Samples</a>     |
| UC3842ADTRG4     | ACTIVE                | SOIC         | D               | 14   | 2500        | Green (RoHS<br>& no Sb/Br) | CU NIPDAU            | Level-1-260C-UNLIM           | <a href="#">Purchase Samples</a>     |
| UC3842ADW        | ACTIVE                | SOIC         | DW              | 16   | 40          | Green (RoHS<br>& no Sb/Br) | CU NIPDAU            | Level-2-260C-1 YEAR          | <a href="#">Request Free Samples</a> |
| UC3842ADWG4      | ACTIVE                | SOIC         | DW              | 16   | 40          | Green (RoHS<br>& no Sb/Br) | CU NIPDAU            | Level-2-260C-1 YEAR          | <a href="#">Request Free Samples</a> |
| UC3842AN         | ACTIVE                | PDIP         | P               | 8    | 50          | Green (RoHS<br>& no Sb/Br) | CU NIPDAU            | N / A for Pkg Type           | <a href="#">Request Free Samples</a> |
| UC3842ANG4       | ACTIVE                | PDIP         | P               | 8    | 50          | Green (RoHS<br>& no Sb/Br) | CU NIPDAU            | N / A for Pkg Type           | <a href="#">Request Free Samples</a> |
| UC3842J          | ACTIVE                | CDIP         | JG              | 8    | 1           | TBD                        | A42                  | N / A for Pkg Type           | <a href="#">Purchase Samples</a>     |
| UC3843AD         | ACTIVE                | SOIC         | D               | 14   | 50          | Green (RoHS<br>& no Sb/Br) | CU NIPDAU            | Level-1-260C-UNLIM           | <a href="#">Request Free Samples</a> |
| UC3843AD8        | ACTIVE                | SOIC         | D               | 8    | 75          | Green (RoHS<br>& no Sb/Br) | CU NIPDAU            | Level-2-260C-1 YEAR          | <a href="#">Request Free Samples</a> |
| UC3843AD8G4      | ACTIVE                | SOIC         | D               | 8    | 75          | Green (RoHS<br>& no Sb/Br) | CU NIPDAU            | Level-2-260C-1 YEAR          | <a href="#">Request Free Samples</a> |
| UC3843AD8TR      | ACTIVE                | SOIC         | D               | 8    | 2500        | Green (RoHS<br>& no Sb/Br) | CU NIPDAU            | Level-2-260C-1 YEAR          | <a href="#">Purchase Samples</a>     |
| UC3843AD8TRG4    | ACTIVE                | SOIC         | D               | 8    | 2500        | Green (RoHS<br>& no Sb/Br) | CU NIPDAU            | Level-2-260C-1 YEAR          | <a href="#">Purchase Samples</a>     |

| Orderable Device | Status <sup>(1)</sup> | Package Type | Package Drawing | Pins | Package Qty | Eco Plan <sup>(2)</sup> | Lead/<br>Ball Finish | MSL Peak Temp <sup>(3)</sup> | Samples<br>(Requires Login)          |
|------------------|-----------------------|--------------|-----------------|------|-------------|-------------------------|----------------------|------------------------------|--------------------------------------|
| UC3843ADG4       | ACTIVE                | SOIC         | D               | 14   | 50          | Green (RoHS & no Sb/Br) | CU NIPDAU            | Level-1-260C-UNLIM           | <a href="#">Request Free Samples</a> |
| UC3843ADTR       | ACTIVE                | SOIC         | D               | 14   | 2500        | Green (RoHS & no Sb/Br) | CU NIPDAU            | Level-1-260C-UNLIM           | <a href="#">Purchase Samples</a>     |
| UC3843ADTRG4     | ACTIVE                | SOIC         | D               | 14   | 2500        | Green (RoHS & no Sb/Br) | CU NIPDAU            | Level-1-260C-UNLIM           | <a href="#">Purchase Samples</a>     |
| UC3843AN         | ACTIVE                | PDIP         | P               | 8    | 50          | Green (RoHS & no Sb/Br) | CU NIPDAU            | N / A for Pkg Type           | <a href="#">Request Free Samples</a> |
| UC3843ANG4       | ACTIVE                | PDIP         | P               | 8    | 50          | Green (RoHS & no Sb/Br) | CU NIPDAU            | N / A for Pkg Type           | <a href="#">Request Free Samples</a> |
| UC3844AD         | ACTIVE                | SOIC         | D               | 14   | 50          | Green (RoHS & no Sb/Br) | CU NIPDAU            | Level-1-260C-UNLIM           | <a href="#">Request Free Samples</a> |
| UC3844AD8        | ACTIVE                | SOIC         | D               | 8    | 75          | Green (RoHS & no Sb/Br) | CU NIPDAU            | Level-1-260C-UNLIM           | <a href="#">Request Free Samples</a> |
| UC3844AD8G4      | ACTIVE                | SOIC         | D               | 8    | 75          | Green (RoHS & no Sb/Br) | CU NIPDAU            | Level-1-260C-UNLIM           | <a href="#">Request Free Samples</a> |
| UC3844AD8TR      | ACTIVE                | SOIC         | D               | 8    | 2500        | Green (RoHS & no Sb/Br) | CU NIPDAU            | Level-1-260C-UNLIM           | <a href="#">Purchase Samples</a>     |
| UC3844AD8TRG4    | ACTIVE                | SOIC         | D               | 8    | 2500        | Green (RoHS & no Sb/Br) | CU NIPDAU            | Level-1-260C-UNLIM           | <a href="#">Purchase Samples</a>     |
| UC3844ADG4       | ACTIVE                | SOIC         | D               | 14   | 50          | Green (RoHS & no Sb/Br) | CU NIPDAU            | Level-1-260C-UNLIM           | <a href="#">Request Free Samples</a> |
| UC3844ADTR       | ACTIVE                | SOIC         | D               | 14   | 2500        | Green (RoHS & no Sb/Br) | CU NIPDAU            | Level-1-260C-UNLIM           | <a href="#">Purchase Samples</a>     |
| UC3844ADTRG4     | ACTIVE                | SOIC         | D               | 14   | 2500        | Green (RoHS & no Sb/Br) | CU NIPDAU            | Level-1-260C-UNLIM           | <a href="#">Purchase Samples</a>     |
| UC3844AN         | ACTIVE                | PDIP         | P               | 8    | 50          | Green (RoHS & no Sb/Br) | CU NIPDAU            | N / A for Pkg Type           | <a href="#">Request Free Samples</a> |
| UC3844ANG4       | ACTIVE                | PDIP         | P               | 8    | 50          | Green (RoHS & no Sb/Br) | CU NIPDAU            | N / A for Pkg Type           | <a href="#">Request Free Samples</a> |
| UC3845AD         | ACTIVE                | SOIC         | D               | 14   | 50          | Green (RoHS & no Sb/Br) | CU NIPDAU            | Level-1-260C-UNLIM           | <a href="#">Request Free Samples</a> |
| UC3845AD8        | ACTIVE                | SOIC         | D               | 8    | 75          | Green (RoHS & no Sb/Br) | CU NIPDAU            | Level-1-260C-UNLIM           | <a href="#">Request Free Samples</a> |
| UC3845AD8G4      | ACTIVE                | SOIC         | D               | 8    | 75          | Green (RoHS & no Sb/Br) | CU NIPDAU            | Level-1-260C-UNLIM           | <a href="#">Request Free Samples</a> |

| Orderable Device | Status <sup>(1)</sup> | Package Type | Package Drawing | Pins | Package Qty | Eco Plan <sup>(2)</sup> | Lead/<br>Ball Finish | MSL Peak Temp <sup>(3)</sup> | Samples<br>(Requires Login)          |
|------------------|-----------------------|--------------|-----------------|------|-------------|-------------------------|----------------------|------------------------------|--------------------------------------|
| UC3845AD8TR      | ACTIVE                | SOIC         | D               | 8    | 2500        | Green (RoHS & no Sb/Br) | CU NIPDAU            | Level-1-260C-UNLIM           | <a href="#">Purchase Samples</a>     |
| UC3845AD8TRG4    | ACTIVE                | SOIC         | D               | 8    | 2500        | Green (RoHS & no Sb/Br) | CU NIPDAU            | Level-1-260C-UNLIM           | <a href="#">Purchase Samples</a>     |
| UC3845ADG4       | ACTIVE                | SOIC         | D               | 14   | 50          | Green (RoHS & no Sb/Br) | CU NIPDAU            | Level-1-260C-UNLIM           | <a href="#">Request Free Samples</a> |
| UC3845ADTR       | ACTIVE                | SOIC         | D               | 14   | 2500        | Green (RoHS & no Sb/Br) | CU NIPDAU            | Level-1-260C-UNLIM           | <a href="#">Purchase Samples</a>     |
| UC3845ADTRG4     | ACTIVE                | SOIC         | D               | 14   | 2500        | Green (RoHS & no Sb/Br) | CU NIPDAU            | Level-1-260C-UNLIM           | <a href="#">Purchase Samples</a>     |
| UC3845AN         | ACTIVE                | PDIP         | P               | 8    | 50          | Green (RoHS & no Sb/Br) | CU NIPDAU            | N / A for Pkg Type           | <a href="#">Request Free Samples</a> |
| UC3845ANG4       | ACTIVE                | PDIP         | P               | 8    | 50          | Green (RoHS & no Sb/Br) | CU NIPDAU            | N / A for Pkg Type           | <a href="#">Request Free Samples</a> |

<sup>(1)</sup> The marketing status values are defined as follows:

**ACTIVE:** Product device recommended for new designs.

**LIFEBUY:** TI has announced that the device will be discontinued, and a lifetime-buy period is in effect.

**NRND:** Not recommended for new designs. Device is in production to support existing customers, but TI does not recommend using this part in a new design.

**PREVIEW:** Device has been announced but is not in production. Samples may or may not be available.

**OBSOLETE:** TI has discontinued the production of the device.

<sup>(2)</sup> Eco Plan - The planned eco-friendly classification: Pb-Free (RoHS), Pb-Free (RoHS Exempt), or Green (RoHS & no Sb/Br) - please check <http://www.ti.com/productcontent> for the latest availability information and additional product content details.

**TBD:** The Pb-Free/Green conversion plan has not been defined.

**Pb-Free (RoHS):** TI's terms "Lead-Free" or "Pb-Free" mean semiconductor products that are compatible with the current RoHS requirements for all 6 substances, including the requirement that lead not exceed 0.1% by weight in homogeneous materials. Where designed to be soldered at high temperatures, TI Pb-Free products are suitable for use in specified lead-free processes.

**Pb-Free (RoHS Exempt):** This component has a RoHS exemption for either 1) lead-based flip-chip solder bumps used between the die and package, or 2) lead-based die adhesive used between the die and leadframe. The component is otherwise considered Pb-Free (RoHS compatible) as defined above.

**Green (RoHS & no Sb/Br):** TI defines "Green" to mean Pb-Free (RoHS compatible), and free of Bromine (Br) and Antimony (Sb) based flame retardants (Br or Sb do not exceed 0.1% by weight in homogeneous material)

<sup>(3)</sup> MSL, Peak Temp. -- The Moisture Sensitivity Level rating according to the JEDEC industry standard classifications, and peak solder temperature.

**Important Information and Disclaimer:** The information provided on this page represents TI's knowledge and belief as of the date that it is provided. TI bases its knowledge and belief on information provided by third parties, and makes no representation or warranty as to the accuracy of such information. Efforts are underway to better integrate information from third parties. TI has taken and continues to take reasonable steps to provide representative and accurate information but may not have conducted destructive testing or chemical analysis on incoming materials and chemicals. TI and TI suppliers consider certain information to be proprietary, and thus CAS numbers and other limited information may not be available for release.

In no event shall TI's liability arising out of such information exceed the total purchase price of the TI part(s) at issue in this document sold by TI to Customer on an annual basis.

**OTHER QUALIFIED VERSIONS OF UC1842A, UC1843A, UC1844A, UC1845A, UC2843A, UC3842A, UC3842M, UC3843A, UC3844A, UC3845A :**

- Catalog: [UC3842A](#), [UC3843A](#), [UC3844A](#), [UC3845A](#), [UC3842](#), [UC3845AM](#)
- Automotive: [UC2843A-Q1](#)
- Enhanced Product: [UC1842A-EP](#), [UC1843A-EP](#), [UC1844A-EP](#), [UC1845A-EP](#), [UC1842A-EP](#), [UC1843A-EP](#), [UC1844A-EP](#), [UC1845A-EP](#)
- Military: [UC1842A](#), [UC1843A](#), [UC1844A](#), [UC1845A](#)
- Space: [UC1842A-SP](#), [UC1843A-SP](#), [UC1844A-SP](#), [UC1845A-SP](#), [UC1842A-SP](#), [UC1843A-SP](#), [UC1844A-SP](#), [UC1845A-SP](#)

NOTE: Qualified Version Definitions:

- Catalog - TI's standard catalog product
- Automotive - Q100 devices qualified for high-reliability automotive applications targeting zero defects
- Enhanced Product - Supports Defense, Aerospace and Medical Applications
- Military - QML certified for Military and Defense Applications
- Space - Radiation tolerant, ceramic packaging and qualified for use in Space-based application



## TAPE AND REEL INFORMATION

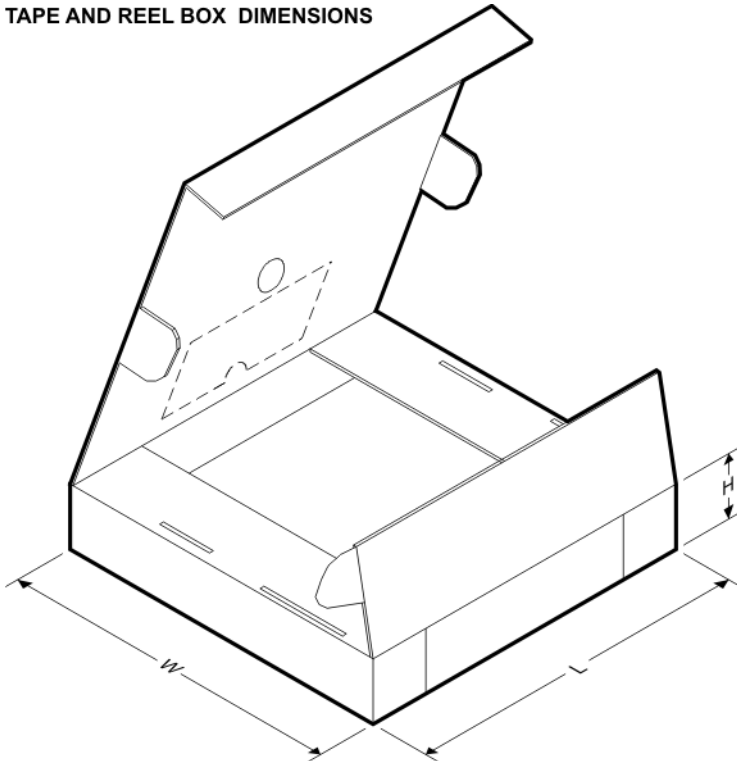


### QUADRANT ASSIGNMENTS FOR PIN 1 ORIENTATION IN TAPE



\*All dimensions are nominal

| Device      | Package Type | Package Drawing | Pins | SPQ  | Reel Diameter (mm) | Reel Width W1 (mm) | A0 (mm) | B0 (mm) | K0 (mm) | P1 (mm) | W (mm) | Pin1 Quadrant |
|-------------|--------------|-----------------|------|------|--------------------|--------------------|---------|---------|---------|---------|--------|---------------|
| UC2842AD8TR | SOIC         | D               | 8    | 2500 | 330.0              | 12.4               | 6.4     | 5.2     | 2.1     | 8.0     | 12.0   | Q1            |
| UC2842ADTR  | SOIC         | D               | 14   | 2500 | 330.0              | 16.4               | 6.5     | 9.0     | 2.1     | 8.0     | 16.0   | Q1            |
| UC2842ADWTR | SOIC         | DW              | 16   | 2000 | 330.0              | 16.4               | 10.85   | 10.8    | 2.7     | 12.0    | 16.0   | Q1            |
| UC2843AD8TR | SOIC         | D               | 8    | 2500 | 330.0              | 12.4               | 6.4     | 5.2     | 2.1     | 8.0     | 12.0   | Q1            |
| UC2843ADTR  | SOIC         | D               | 14   | 2500 | 330.0              | 16.4               | 6.5     | 9.0     | 2.1     | 8.0     | 16.0   | Q1            |
| UC2844AD8TR | SOIC         | D               | 8    | 2500 | 330.0              | 12.4               | 6.4     | 5.2     | 2.1     | 8.0     | 12.0   | Q1            |
| UC2844ADTR  | SOIC         | D               | 14   | 2500 | 330.0              | 16.4               | 6.5     | 9.0     | 2.1     | 8.0     | 16.0   | Q1            |
| UC2845AD8TR | SOIC         | D               | 8    | 2500 | 330.0              | 12.4               | 6.4     | 5.2     | 2.1     | 8.0     | 12.0   | Q1            |
| UC2845ADTR  | SOIC         | D               | 14   | 2500 | 330.0              | 16.4               | 6.5     | 9.0     | 2.1     | 8.0     | 16.0   | Q1            |
| UC3842AD8TR | SOIC         | D               | 8    | 2500 | 330.0              | 12.4               | 6.4     | 5.2     | 2.1     | 8.0     | 12.0   | Q1            |
| UC3842ADTR  | SOIC         | D               | 14   | 2500 | 330.0              | 16.4               | 6.5     | 9.0     | 2.1     | 8.0     | 16.0   | Q1            |
| UC3843AD8TR | SOIC         | D               | 8    | 2500 | 330.0              | 12.4               | 6.4     | 5.2     | 2.1     | 8.0     | 12.0   | Q1            |
| UC3843ADTR  | SOIC         | D               | 14   | 2500 | 330.0              | 16.4               | 6.5     | 9.0     | 2.1     | 8.0     | 16.0   | Q1            |
| UC3844AD8TR | SOIC         | D               | 8    | 2500 | 330.0              | 12.4               | 6.4     | 5.2     | 2.1     | 8.0     | 12.0   | Q1            |
| UC3844ADTR  | SOIC         | D               | 14   | 2500 | 330.0              | 16.4               | 6.5     | 9.0     | 2.1     | 8.0     | 16.0   | Q1            |
| UC3845AD8TR | SOIC         | D               | 8    | 2500 | 330.0              | 12.4               | 6.4     | 5.2     | 2.1     | 8.0     | 12.0   | Q1            |
| UC3845ADTR  | SOIC         | D               | 14   | 2500 | 330.0              | 16.4               | 6.5     | 9.0     | 2.1     | 8.0     | 16.0   | Q1            |

**TAPE AND REEL BOX DIMENSIONS**


\*All dimensions are nominal

| Device      | Package Type | Package Drawing | Pins | SPQ  | Length (mm) | Width (mm) | Height (mm) |
|-------------|--------------|-----------------|------|------|-------------|------------|-------------|
| UC2842AD8TR | SOIC         | D               | 8    | 2500 | 340.5       | 338.1      | 20.6        |
| UC2842ADTR  | SOIC         | D               | 14   | 2500 | 333.2       | 345.9      | 28.6        |
| UC2842ADWTR | SOIC         | DW              | 16   | 2000 | 346.0       | 346.0      | 33.0        |
| UC2843AD8TR | SOIC         | D               | 8    | 2500 | 340.5       | 338.1      | 20.6        |
| UC2843ADTR  | SOIC         | D               | 14   | 2500 | 333.2       | 345.9      | 28.6        |
| UC2844AD8TR | SOIC         | D               | 8    | 2500 | 340.5       | 338.1      | 20.6        |
| UC2844ADTR  | SOIC         | D               | 14   | 2500 | 333.2       | 345.9      | 28.6        |
| UC2845AD8TR | SOIC         | D               | 8    | 2500 | 340.5       | 338.1      | 20.6        |
| UC2845ADTR  | SOIC         | D               | 14   | 2500 | 333.2       | 345.9      | 28.6        |
| UC3842AD8TR | SOIC         | D               | 8    | 2500 | 340.5       | 338.1      | 20.6        |
| UC3842ADTR  | SOIC         | D               | 14   | 2500 | 333.2       | 345.9      | 28.6        |
| UC3843AD8TR | SOIC         | D               | 8    | 2500 | 340.5       | 338.1      | 20.6        |
| UC3843ADTR  | SOIC         | D               | 14   | 2500 | 333.2       | 345.9      | 28.6        |
| UC3844AD8TR | SOIC         | D               | 8    | 2500 | 340.5       | 338.1      | 20.6        |
| UC3844ADTR  | SOIC         | D               | 14   | 2500 | 333.2       | 345.9      | 28.6        |
| UC3845AD8TR | SOIC         | D               | 8    | 2500 | 340.5       | 338.1      | 20.6        |
| UC3845ADTR  | SOIC         | D               | 14   | 2500 | 333.2       | 345.9      | 28.6        |

JG (R-GDIP-T8)

CERAMIC DUAL-IN-LINE



- NOTES: A. All linear dimensions are in inches (millimeters).  
 B. This drawing is subject to change without notice.  
 C. This package can be hermetically sealed with a ceramic lid using glass frit.  
 D. Index point is provided on cap for terminal identification.  
 E. Falls within MIL STD 1835 GDIP1-T8

FK (S-CQCC-N\*\*)

LEADLESS CERAMIC CHIP CARRIER

28 TERMINAL SHOWN



4040140/D 10/96

- NOTES:
- A. All linear dimensions are in inches (millimeters).
  - B. This drawing is subject to change without notice.
  - C. This package can be hermetically sealed with a metal lid.
  - D. The terminals are gold plated.
  - E. Falls within JEDEC MS-004

P (R-PDIP-T8)

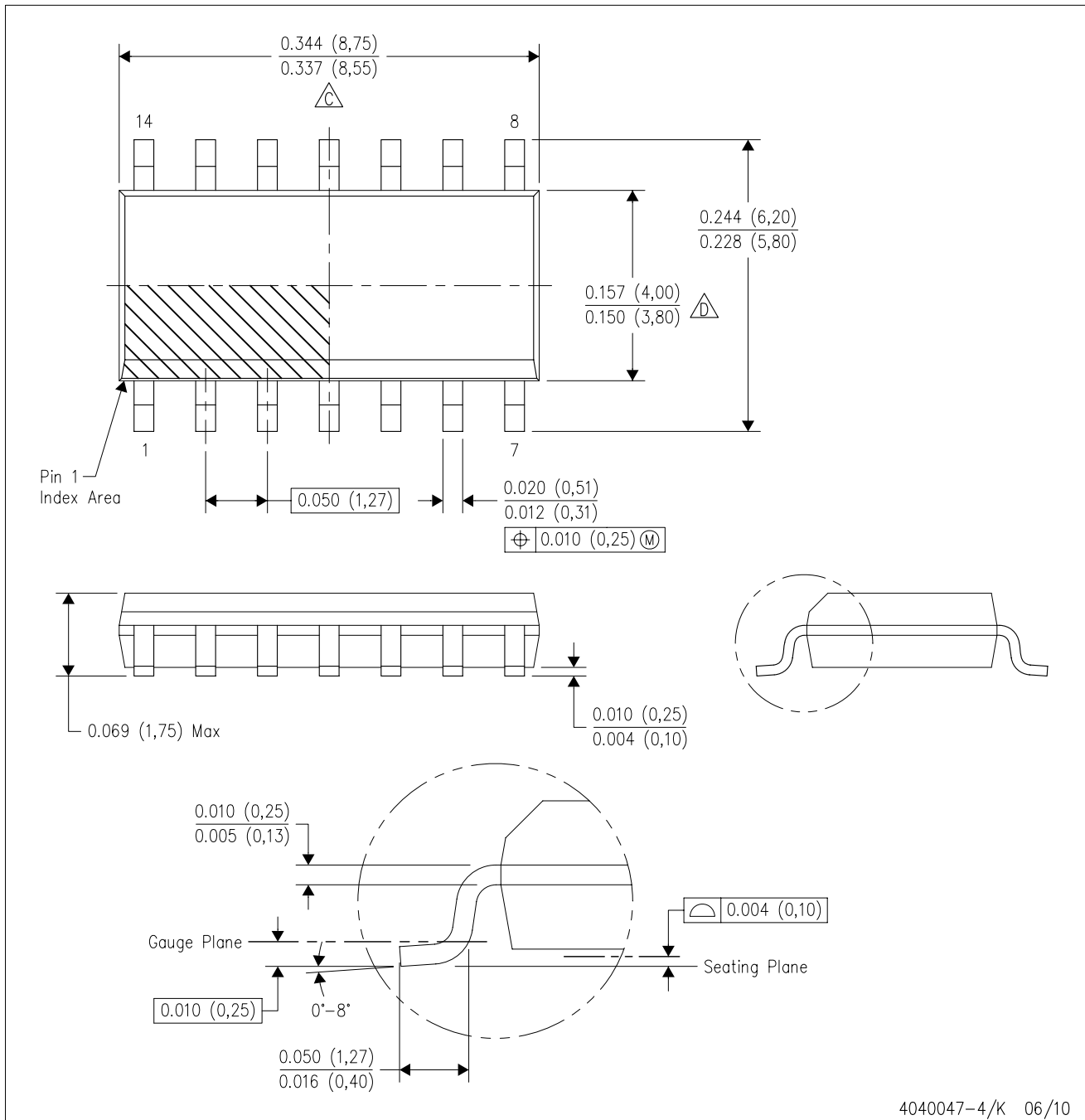
PLASTIC DUAL-IN-LINE PACKAGE



- NOTES:
- A. All linear dimensions are in inches (millimeters).
  - B. This drawing is subject to change without notice.
  - C. Falls within JEDEC MS-001 variation BA.

D (R-PDSO-G14)

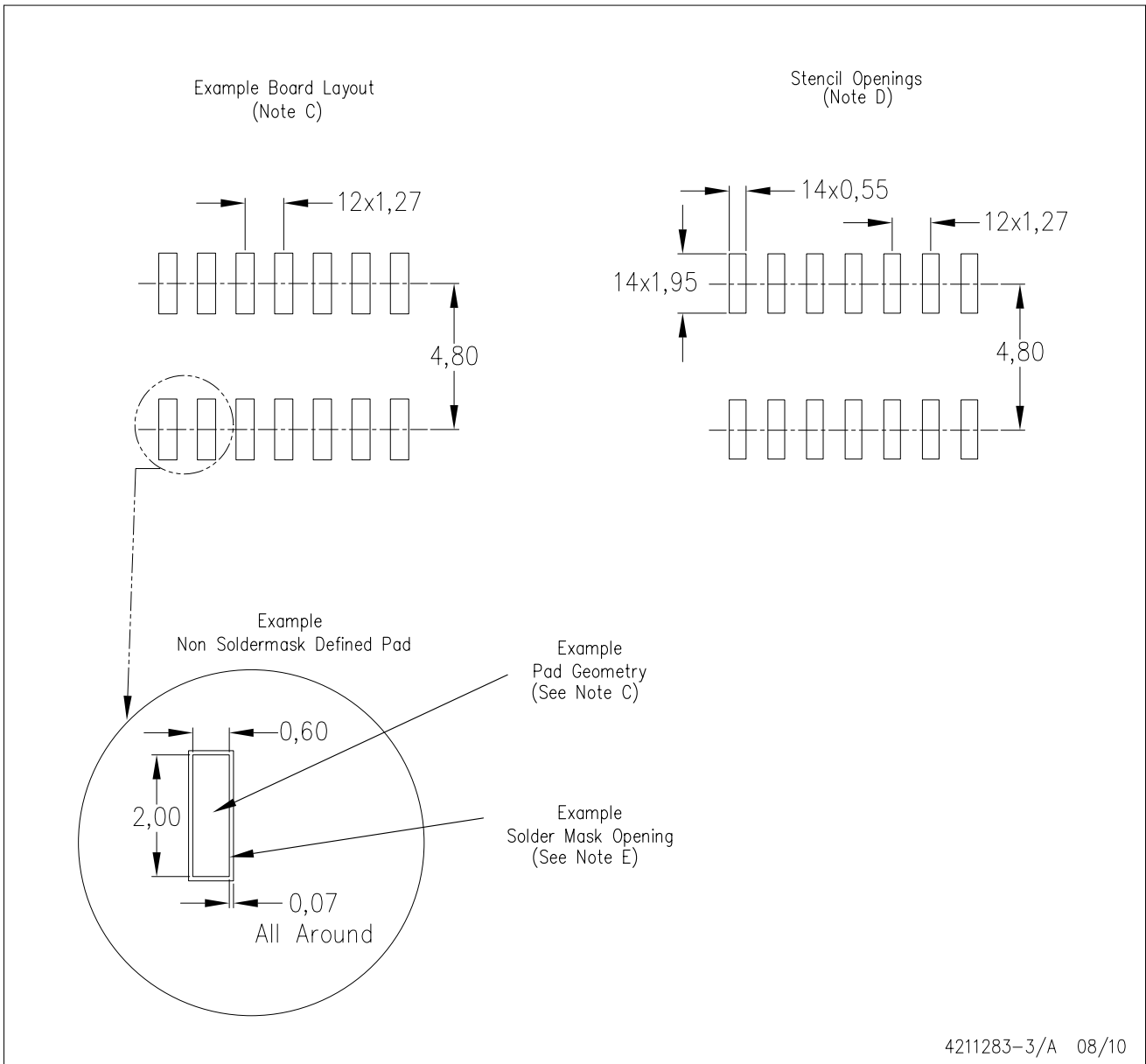
PLASTIC SMALL-OUTLINE PACKAGE



- NOTES:
- A. All linear dimensions are in inches (millimeters).
  - B. This drawing is subject to change without notice.
  - Body length does not include mold flash, protrusions, or gate burrs. Mold flash, protrusions, or gate burrs shall not exceed .006 (0,15) per end.
  - Body width does not include interlead flash. Interlead flash shall not exceed .017 (0,43) per side.
  - E. Reference JEDEC MS-012 variation AB.

D (R-PDSO-G14)

PLASTIC SMALL OUTLINE

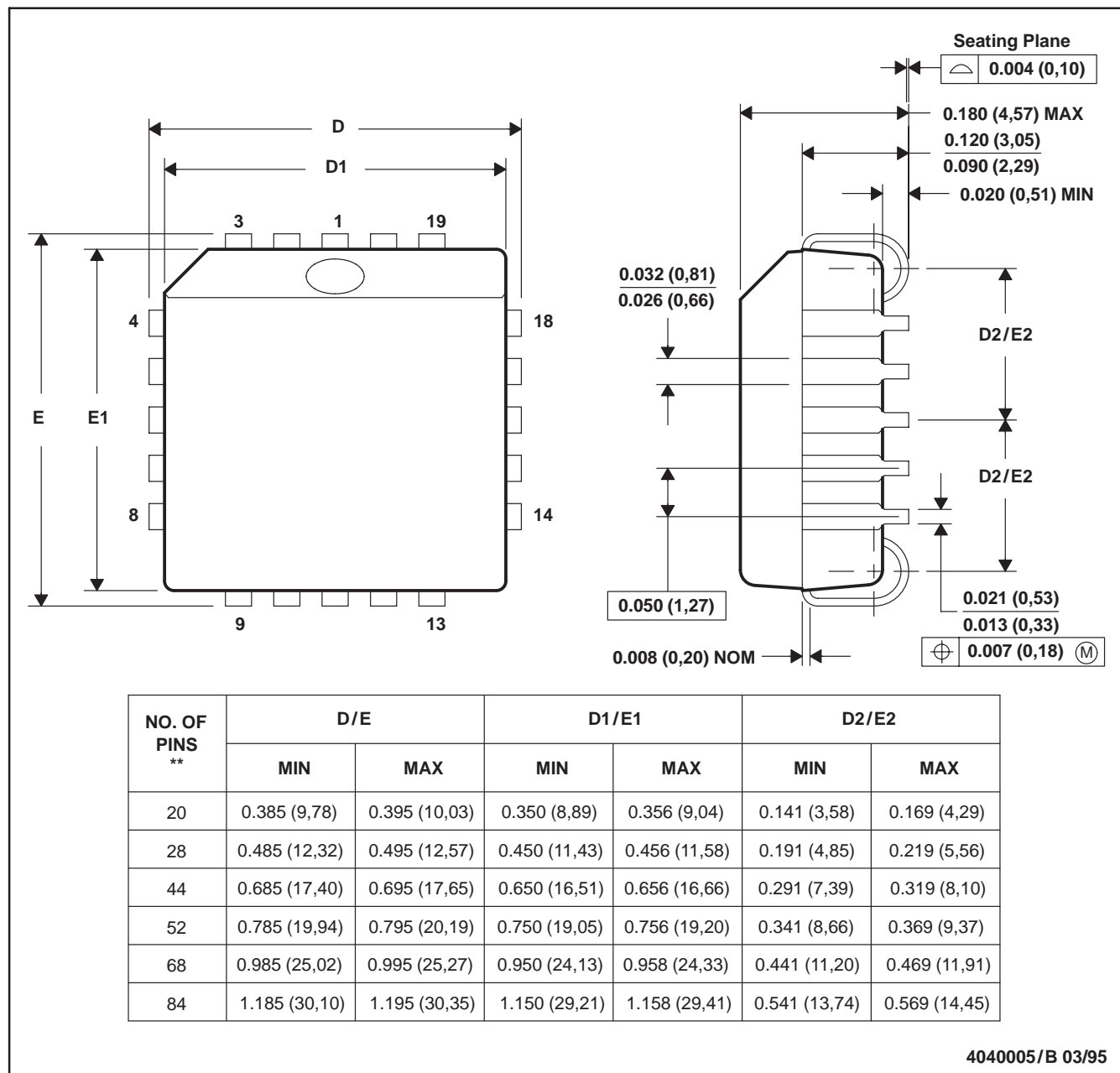


- NOTES:
- A. All linear dimensions are in millimeters.
  - B. This drawing is subject to change without notice.
  - C. Publication IPC-7351 is recommended for alternate designs.
  - D. Laser cutting apertures with trapezoidal walls and also rounding corners will offer better paste release. Customers should contact their board assembly site for stencil design recommendations. Refer to IPC-7525 for other stencil recommendations.
  - E. Customers should contact their board fabrication site for solder mask tolerances between and around signal pads.

FN (S-PQCC-J\*\*)

PLASTIC J-LEADED CHIP CARRIER

20 PIN SHOWN

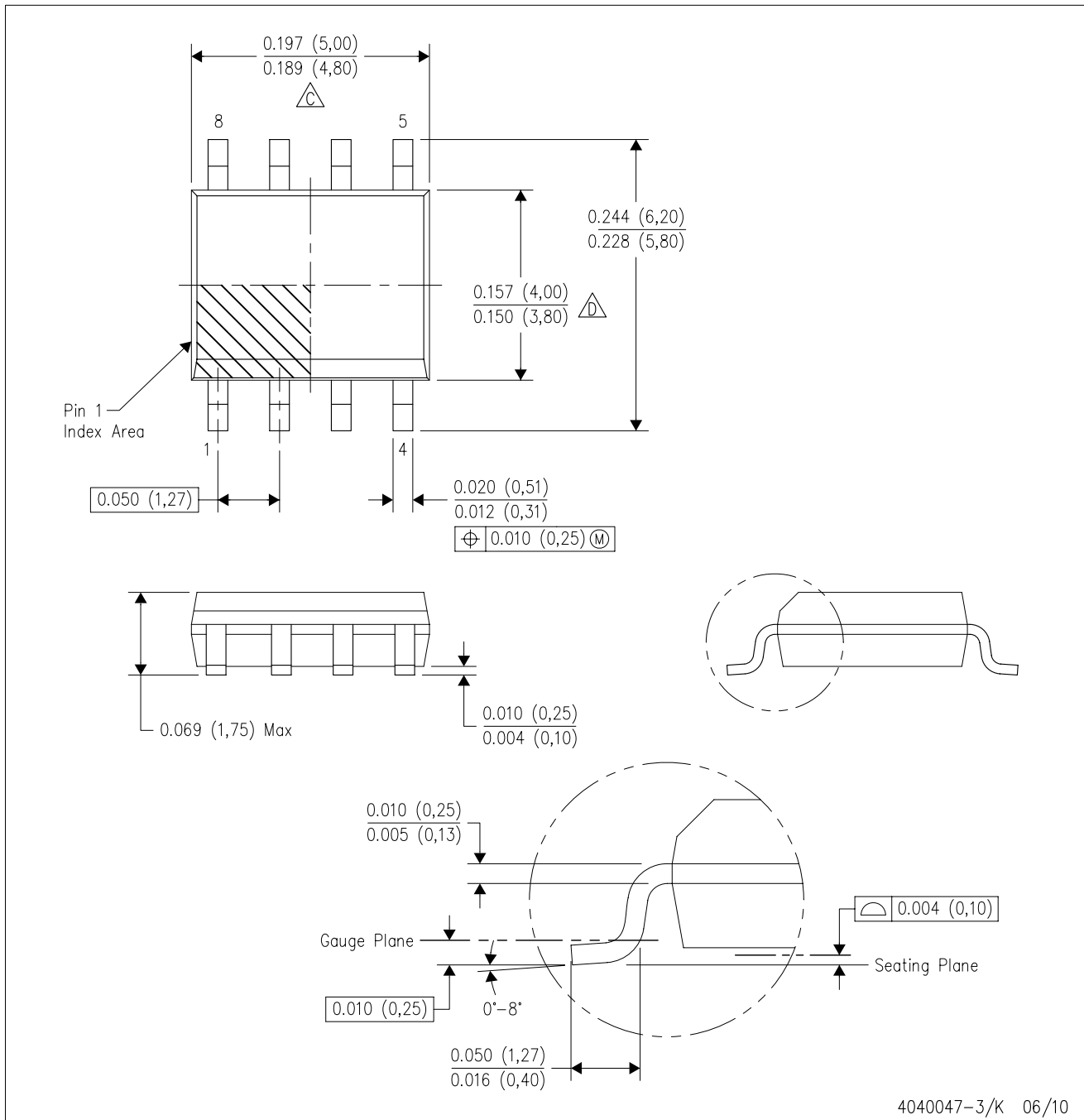


- NOTES: A. All linear dimensions are in inches (millimeters).  
 B. This drawing is subject to change without notice.  
 C. Falls within JEDEC MS-018



D (R-PDSO-G8)

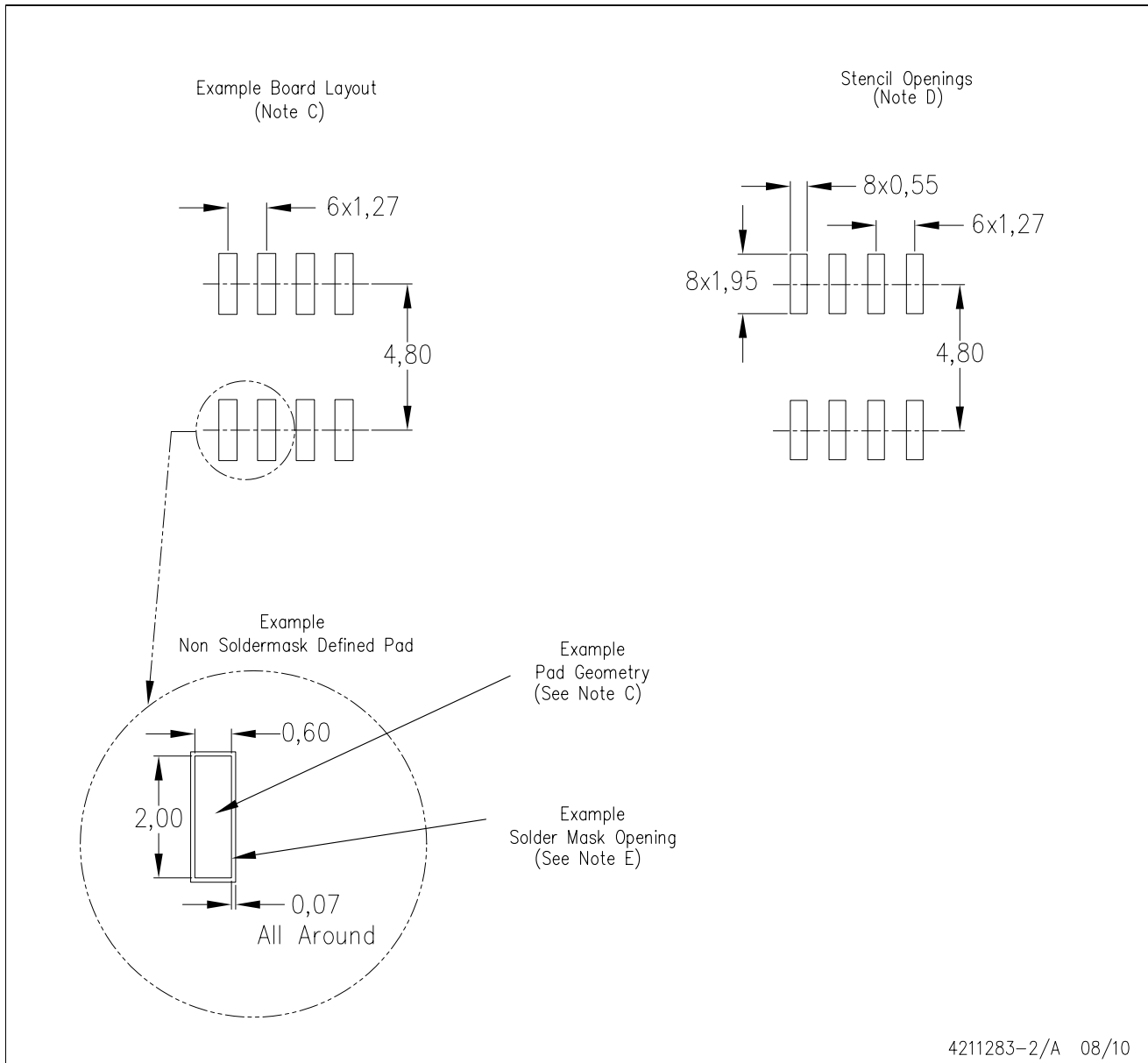
PLASTIC SMALL-OUTLINE PACKAGE



- NOTES:
- A. All linear dimensions are in inches (millimeters).
  - B. This drawing is subject to change without notice.
  - C. Body length does not include mold flash, protrusions, or gate burrs. Mold flash, protrusions, or gate burrs shall not exceed .006 (0,15) per end.
  - D. Body width does not include interlead flash. Interlead flash shall not exceed .017 (0,43) per side.
  - E. Reference JEDEC MS-012 variation AA.

D (R-PDSO-G8)

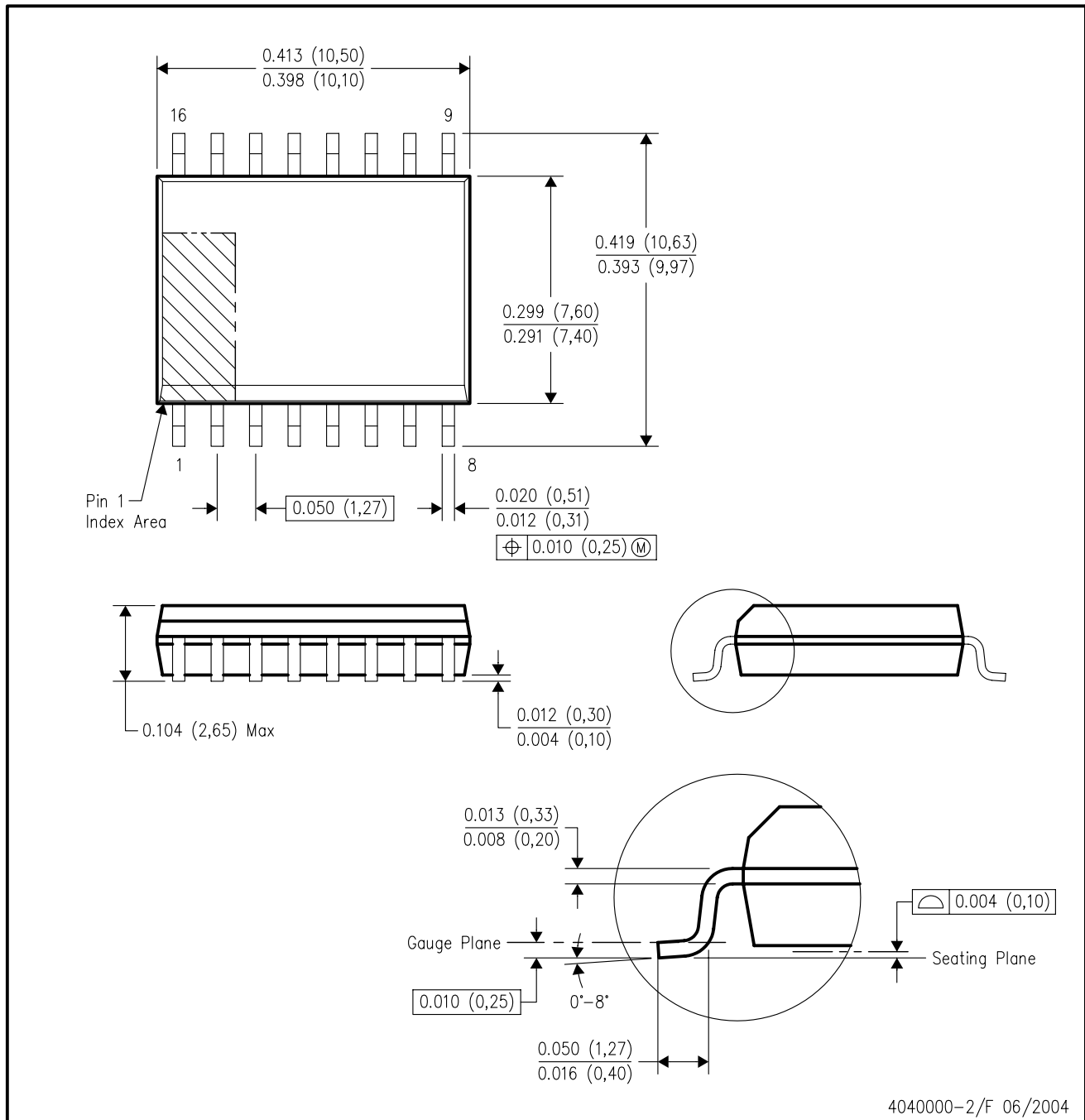
PLASTIC SMALL OUTLINE



- NOTES:
- All linear dimensions are in millimeters.
  - This drawing is subject to change without notice.
  - Publication IPC-7351 is recommended for alternate designs.
  - Laser cutting apertures with trapezoidal walls and also rounding corners will offer better paste release. Customers should contact their board assembly site for stencil design recommendations. Refer to IPC-7525 for other stencil recommendations.
  - Customers should contact their board fabrication site for solder mask tolerances between and around signal pads.

DW (R-PDSO-G16)

PLASTIC SMALL-OUTLINE PACKAGE



- NOTES:
- A. All linear dimensions are in inches (millimeters).
  - B. This drawing is subject to change without notice.
  - C. Body dimensions do not include mold flash or protrusion not to exceed 0.006 (0,15).
  - D. Falls within JEDEC MS-013 variation AA.

## IMPORTANT NOTICE

Texas Instruments Incorporated and its subsidiaries (TI) reserve the right to make corrections, modifications, enhancements, improvements, and other changes to its products and services at any time and to discontinue any product or service without notice. Customers should obtain the latest relevant information before placing orders and should verify that such information is current and complete. All products are sold subject to TI's terms and conditions of sale supplied at the time of order acknowledgment.

TI warrants performance of its hardware products to the specifications applicable at the time of sale in accordance with TI's standard warranty. Testing and other quality control techniques are used to the extent TI deems necessary to support this warranty. Except where mandated by government requirements, testing of all parameters of each product is not necessarily performed.

TI assumes no liability for applications assistance or customer product design. Customers are responsible for their products and applications using TI components. To minimize the risks associated with customer products and applications, customers should provide adequate design and operating safeguards.

TI does not warrant or represent that any license, either express or implied, is granted under any TI patent right, copyright, mask work right, or other TI intellectual property right relating to any combination, machine, or process in which TI products or services are used. Information published by TI regarding third-party products or services does not constitute a license from TI to use such products or services or a warranty or endorsement thereof. Use of such information may require a license from a third party under the patents or other intellectual property of the third party, or a license from TI under the patents or other intellectual property of TI.

Reproduction of TI information in TI data books or data sheets is permissible only if reproduction is without alteration and is accompanied by all associated warranties, conditions, limitations, and notices. Reproduction of this information with alteration is an unfair and deceptive business practice. TI is not responsible or liable for such altered documentation. Information of third parties may be subject to additional restrictions.

Resale of TI products or services with statements different from or beyond the parameters stated by TI for that product or service voids all express and any implied warranties for the associated TI product or service and is an unfair and deceptive business practice. TI is not responsible or liable for any such statements.

TI products are not authorized for use in safety-critical applications (such as life support) where a failure of the TI product would reasonably be expected to cause severe personal injury or death, unless officers of the parties have executed an agreement specifically governing such use. Buyers represent that they have all necessary expertise in the safety and regulatory ramifications of their applications, and acknowledge and agree that they are solely responsible for all legal, regulatory and safety-related requirements concerning their products and any use of TI products in such safety-critical applications, notwithstanding any applications-related information or support that may be provided by TI. Further, Buyers must fully indemnify TI and its representatives against any damages arising out of the use of TI products in such safety-critical applications.

TI products are neither designed nor intended for use in military/aerospace applications or environments unless the TI products are specifically designated by TI as military-grade or "enhanced plastic." Only products designated by TI as military-grade meet military specifications. Buyers acknowledge and agree that any such use of TI products which TI has not designated as military-grade is solely at the Buyer's risk, and that they are solely responsible for compliance with all legal and regulatory requirements in connection with such use.

TI products are neither designed nor intended for use in automotive applications or environments unless the specific TI products are designated by TI as compliant with ISO/TS 16949 requirements. Buyers acknowledge and agree that, if they use any non-designated products in automotive applications, TI will not be responsible for any failure to meet such requirements.

Following are URLs where you can obtain information on other Texas Instruments products and application solutions:

| <b>Products</b>             |  | <b>Applications</b>        |  |
|-----------------------------|--|----------------------------|--|
| Amplifiers                  | <a href="http://amplifier.ti.com">amplifier.ti.com</a>             | Audio                      | <a href="http://www.ti.com/audio">www.ti.com/audio</a>                                   |
| Data Converters             | <a href="http://dataconverter.ti.com">dataconverter.ti.com</a>     | Automotive                 | <a href="http://www.ti.com/automotive">www.ti.com/automotive</a>                         |
| DLP® Products               | <a href="http://www.dlp.com">www.dlp.com</a>                       | Communications and Telecom | <a href="http://www.ti.com/communications">www.ti.com/communications</a>                 |
| DSP                         | <a href="http://dsp.ti.com">dsp.ti.com</a>                         | Computers and Peripherals  | <a href="http://www.ti.com/computers">www.ti.com/computers</a>                           |
| Clocks and Timers           | <a href="http://www.ti.com/clocks">www.ti.com/clocks</a>           | Consumer Electronics       | <a href="http://www.ti.com/consumer-apps">www.ti.com/consumer-apps</a>                   |
| Interface                   | <a href="http://interface.ti.com">interface.ti.com</a>             | Energy                     | <a href="http://www.ti.com/energy">www.ti.com/energy</a>                                 |
| Logic                       | <a href="http://logic.ti.com">logic.ti.com</a>                     | Industrial                 | <a href="http://www.ti.com/industrial">www.ti.com/industrial</a>                         |
| Power Mgmt                  | <a href="http://power.ti.com">power.ti.com</a>                     | Medical                    | <a href="http://www.ti.com/medical">www.ti.com/medical</a>                               |
| Microcontrollers            | <a href="http://microcontroller.ti.com">microcontroller.ti.com</a> | Security                   | <a href="http://www.ti.com/security">www.ti.com/security</a>                             |
| RFID                        | <a href="http://www.ti-rfid.com">www.ti-rfid.com</a>               | Space, Avionics & Defense  | <a href="http://www.ti.com/space-avionics-defense">www.ti.com/space-avionics-defense</a> |
| RF/IF and ZigBee® Solutions | <a href="http://www.ti.com/lprf">www.ti.com/lprf</a>               | Video and Imaging          | <a href="http://www.ti.com/video">www.ti.com/video</a>                                   |
|                             |  | Wireless                   | <a href="http://www.ti.com/wireless-apps">www.ti.com/wireless-apps</a>                   |